



## MQ-7251M

MQTT I/O Module with 16-ch DI

### Features

- Built-in Web Server
- Web HMI
- Support for MQTT Protocol
- 2-port Ethernet Switch for Daisy-Chain Topology
- Dual Watchdog
- Wide Operating Temperature Range: -25 ~ +75°C
- Built-in I/O
  - DI 16 Channels



### Introduction

The MQ-7251M is an Ethernet I/O device equipped with 16-channel DI, as well as the MQTT protocol is supported for connecting with a variety of digital sensors in Industrial Internet of Things (IIoT) applications. A friendly web-based user interface is provided for users to configure module, access the network connection status and I/O status via a normal web browser on a mobile device or computer.

The MQ-7251M features optical isolation for 2500 VDC of transient overvoltage protection, but doesn't not provide channel-to-channel isolation. It can safely be used in applications where hazardous voltages are present.

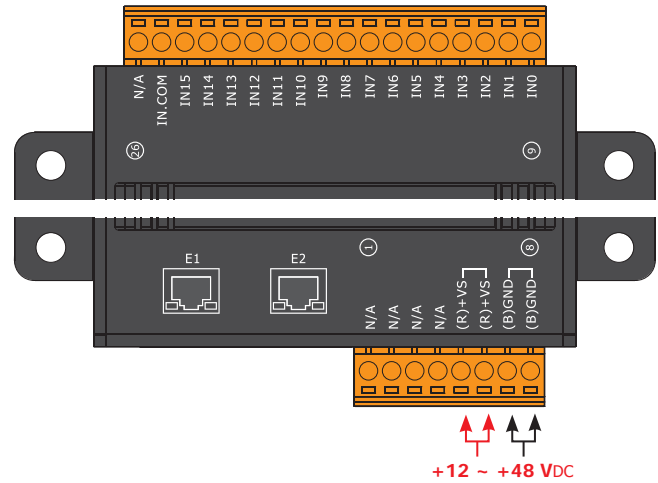
### System Specifications

Model	MQ-7251M
<b>Software</b>	
Built-in Web Server	Yes
Web HMI	Yes
<b>Communication</b>	
Ethernet Port	2 x RJ-45, 10/100 Base-TX, Switch Ports
Protocol	MQTT 3.1.1
Dual Watchdog	Yes, Module (0.8 seconds), Communication (Configurable)
PoE	-
<b>LED Indicators</b>	
for System Running	Yes
for Ethernet Link/Act	Yes
for DI/DO status	Yes
<b>2-Way Isolation</b>	
Ethernet	1500 VDC
I/O	2500 VDC
<b>EMS Protection</b>	
ESD (IEC 61000-4-2)	±4 kV Contact for Each Terminal and ±8 kV Air for Random Point
EFT (IEC 61000-4-4)	±4 kV for Power Line
<b>Power</b>	
Reverse Polarity Protection	Yes
Powered from Terminal Block	+12 ~ +48 VDC
Consumption	2.9 W
<b>Mechanical</b>	
Dimensions (L x W x H)	120 mm x 97 mm x 42 mm
Housing	Metal
Installation	Wall Mounting
<b>Environment</b>	
Operating Temperature	-25 ~ +75°C
Storage Temperature	-30 ~ +80°C
Humidity	10 ~ 90% RH, Non-condensing

## I/O Specifications

Model	MQ-7251M
<b>Digital Input</b>	
Channels	16
Contact	Wet
Sink/Source (NPN/PNP)	Sink/Source
ON Voltage Level	+10 VDC ~ +50 VDC
OFF Voltage Level	+4 VDC Max.
Input Impedance	10 k $\Omega$
Overvoltage Protection	+70 VDC

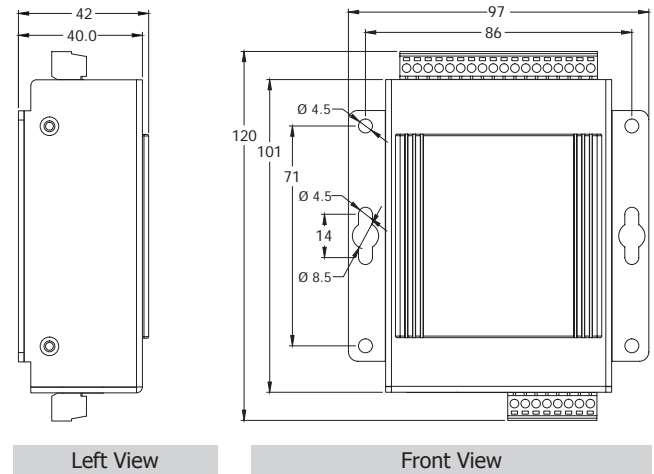
## Pin Assignments



## Wire Connections

Digital Input	Readback as 1	Readback as 0
	+10 ~ +50 VDC	OPEN or <4 VDC
Sink		
Source	+10 ~ +50 VDC	OPEN or <4 VDC

## Dimensions (Units: mm)



## Ordering Information

MQ-7251M CR	MQTT I/O Module with 2-port Ethernet Switch, with 16-ch DI (RoHS)
-------------	---