

NS-205G

Unmanaged 5-port Industrial 10/100/1000 Base-T Ethernet Switch

NS-205AG *Available soon*

NS-205G with +48 V_{DC} Input



NS-205G/NS-205AG

 Gigabit LAN x 5	 Wide Temperature -40 ~ +75	 DIN-Rail Mount	 CE	 FCC	 RoHS	 WEEE	 Wide Input Voltage +12 ~ +48
--	-----------------------------------	--------------------	--------	---------	----------	----------	---

Features ▶▶▶

- Automatic MDI/MDI-X crossover for plug-and-play
- Each port supports 10/100 and 1000 Mbps speed auto negotiation
- Full duplex IEEE 802.3x and half duplex backpressure flow control
- Supports operating temperatures from -40 °C ~ +75 °C
- 10 Gbps high performance memory bandwidth
- Power saving technology
- Supports +12 V_{DC} ~ +48 V_{DC} power input (NS-205AG)
- Store-and-forward architecture
- Slim packaging fits on your DIN-Rail Mounting

Introduction

The NS-205G/NS-205AG is 5-port unmanaged gigabit switches that support 10/100/1000 Base-T, with a 10/100/1000M auto negotiation feature and auto MDI/MDI-X function. It can connect 5 workstations and automatically switches the transmission speed (10 Mbps or 100 Mbps or 1000 Mbps) for corresponding connections.

That is an ideal solution for bandwidth-hungry applications (such as high resolution digital image transmission, video/audio file streaming/downloading, and server farm connectivity).

The flow control mechanism is also negotiated. There is link/data rate LEDs for each port to aid troubleshooting. Port connectors are shielded RJ-45.

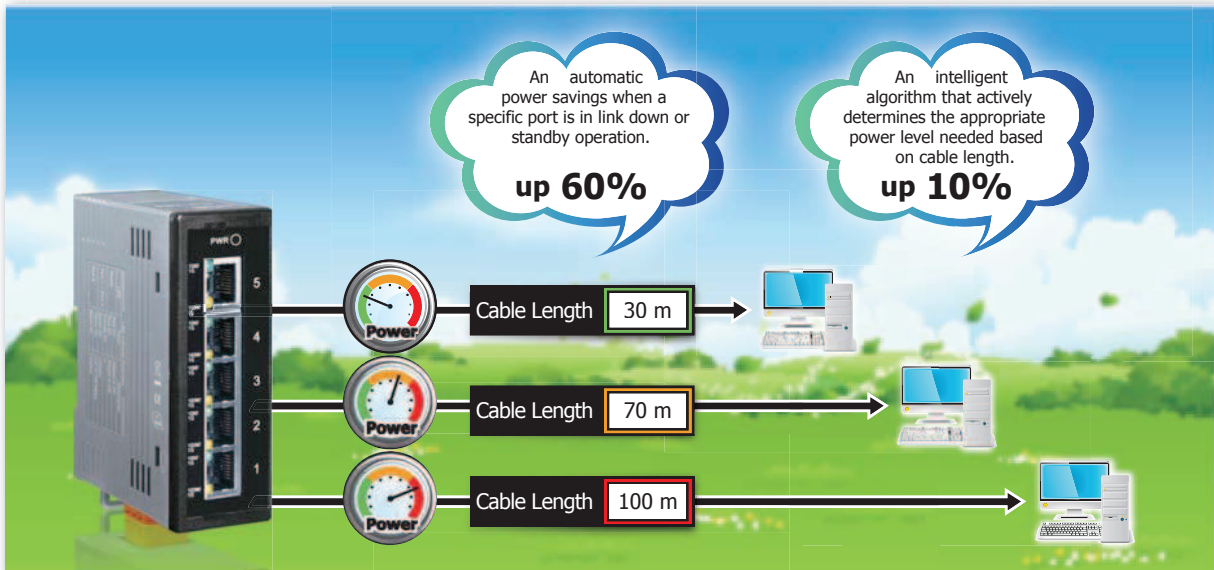
Power Savings by Number of Connected Ports and Link Status: Computers do not require Internet access all the time; neither do switches utilize all ports at all times. When a computer or network equipment is shutdown, switches often remain on and continue to consume considerable amount of power. With Green Ethernet technology, NS-205G/NS-205AG can automatically detect link status and reduce power usage of ports that are idle. Computers or any connecting parties set to standby mode (not power off), however, will not provide significant power savings.

Specifications

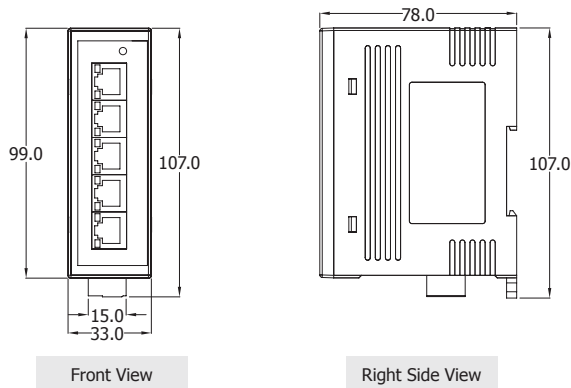
Models	NS-205G	NS-205AG
Technology		
Standards	IEEE 802.3, 802.3u, 802.3ab and 802.3x	
Processing Type	Store & forward, wire speed switching	
MAC Addresses	8192	
Memory Bandwidth	10 Gbps	
Frame Buffer Memory	1 Mbit	
Jumbo Frames	9K for Speed 1000M	
Flow Control	IEEE 802.3x flow control, back pressure flow control	

Models	NS-205G	NS-205AG
Interface		
RJ-45 Ports	10/100/1000 Base-T auto negotiation speed, F/H duplex mode, and auto MDI/MDI-X connection	
LED Indicators	Power, 10/100/1000M, Link/Act	
Ethernet Isolation	1500 V _{rms} 1 minute	
Frame Ground for EMS Protection	Yes	
Cable	Ethernet	2-pair UTP/STP Cat.3, 4, 5, EIA/TIA-568 100 Ω
	Fast Ethernet	2-pair UTP/STP Cat. 5, EIA/TIA-568 100 Ω
	Gigabit Ethernet	4-pair UTP/STP Cat.5, EIA/TIA-568 100 Ω
Power		
Input Voltage Range	+10 V _{dc} ~ +30 V _{dc} (Non-isolated)	+12 V _{dc} ~ +48 V _{dc} (Non-isolated)
Power Consumption	0.1 A @ 24 V _{dc}	
Protection	Power reverse polarity protection	
Frame Ground for EMS Protection	Yes	
Connector	3-Pin Removable Terminal Block	
Mechanical		
Casing	Plastic (Flammability UL 94V-0)	
Flammability	UL 94V-0	
Dimensions (W x L x H)	33 mm x 78 mm x 107 mm	
Installation	DIN-Rail Mounting	
Environment		
Operating Temperature	-40 °C ~ +75 °C	
Storage Temperature	-40 °C ~ +85 °C	
Ambient Relative Humidity	10% ~ 90% RH, non-condensing	

Power Saving Application



Dimensions (Units: mm)



Ordering Information

NS-205G CR	Unmanaged 5-port Industrial 10/100/1000 Base-T Ethernet Switch (RoHS)
NS-205AG CR	NS-205G with +48 V _{dc} Input (RoHS)

Accessories

GPSU06U-6 CR	24 V/0.25 A, 6 W Power Supply (RoHS)
DIN-KA52F CR	24 V/1.04 A, 25 W Power Supply with DIN-Rail Mounting (RoHS)