



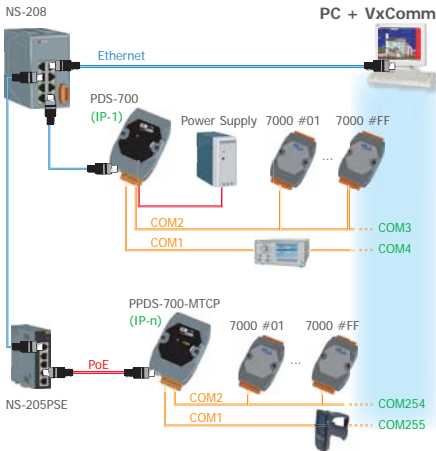
Introduction

The PDS-700 series is a family of Programmable Device Servers, also known as "Serial-to-Ethernet gateway", that are designed for linking RS-232/422/485 devices to an Ethernet network. The user-friendly VxComm Driver/Utility allows users to easily turn the built-in COM ports of the PDS-700 series into standard COM ports on a PC. By virtue of its protocol independence, a small-core OS and high flexibility, the PDS-700 series is able to meet the demands of every network-enabled application.

The PDS-700 series includes a powerful and reliable Xserver programming structure that allows you to design your robust Ethernet applications in one day. The built-in, high-performance MiniOS7 boots the PDS-700 up in just one second and gives you fastest responses.

The PPS-700-MTCP series features true IEEE 802.3af-compliant (classification, Class 1) Power over Ethernet (PoE) using a standard category 5 Ethernet cable to receive power from a PoE switch like the NS-205PSE. The PPS-700-MTCP also works as a Modbus/TCP to Modbus/RTU gateway that supports most SCADA/HMI communications based on the Modbus/TCP protocol.

The PDS-742(D) and PPS-742(D)-MTCP is equipped with 3 RS-232 ports and 1 RS-485 port. The removable on-board terminal block connector is designed for easy and robust wiring in industrial situations.



Applications

Factory, Building and Home Automation

RS-232/RS-485

Features

- Incorporate Serial Devices in an Ethernet network
- Virtual COM on Windows NT 4.0, 2000/XP/2003 and Vista32
- Powerful Programmable Device Server
- Watchdog Timer suitable for use in harsh environments
- Power Reverse Polarity Protection
- Serial Port +/-4 kV ESD Protection Circuit
- Self-Tuner ASIC Controller on the RS-485 Port
- 5-digit LED Display (for versions with a display)
- RoHS Compliant with no Halogen
- Built-in High Performance MiniOS7 from ICP DAS
- 10/100 Base-TX Ethernet, RJ-45 Port (Auto-negotiating, auto MDI/MDI-X, LED Indicator)
- PPS-742(D)-MTCP supports Modbus/TCP and Modbus/RTU
- PPS-742(D)-MTCP supports PoE (IEEE 802.3af, Class 1)
- Low power consumption
- Palm-Sized with multiple Serial Ports
- Made from fire retardant materials (UL94-V0 Level)

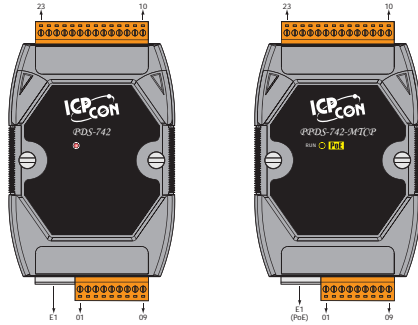


System Specifications

Models	PDS-742	PDS-742D	PPDS-742-MTCP	PPDS-742D-MTCP
CPU				
CPU	80186, 80 MHz or compatible			
SRAM	512 KB			
Flash Memory	Flash ROM: 512 KB; Erase unit is one sector (64 KB); 100,000 erase/write cycles			
EEPROM	16 KB; Data retention: 40 years; 1,000,000 erase/write cycles			
Built-in Watchdog Timer	Yes			
Communication Interface				
Non-Isolated	COM1	RS-232 (Tx/D, Rx/D, RTS, CTS, GND)		
	COM2	RS-485 (D2+, D2-, GND)		
	COM3	RS-232 (Tx/D, Rx/D, RTS, CTS, GND)		
	COM4	RS-232 (Tx/D, Rx/D, RTS, CTS, GND, DSR, DTR, DCD, RI)		
Ethernet	10/100 Base-TX, RJ-45 port (Auto-negotiating, auto MDI/MDI-X, LED indicator)			
PoE	-	IEEE 802.3af		
COM Port Formats				
Data Bit	7, 8: for COM1 and COM2 5, 6, 7, 8: for COM3 and COM4			
Parity	None, Even, Odd, Mark, Space			
Stop Bit	1: for COM1 and COM2 1, 2: for COM3 and COM4			
Baud Rate	115200 bps max.			
LED Indicators				
5-digit 7 Segment	-	Yes	-	Yes
System	Red			
PoE	-		Green	
Power				
Protection	Power Reverse Polarity Protection			
Required Supply Voltage	+10 V _{DC} ~ +30 V _{DC} (non-regulated)		PoE or +12 V _{DC} ~ +48 V _{DC} (non-regulated)	
Power Consumption	2.0 W	2.7 W	2.2 W	2.9 W
Mechanical				
Flammability	Fire Retardant Materials (UL94-V0 Level)			
Dimensions	72 mm x 123 mm x 35 mm (W x H x D)			
Installation	DIN-Rail or Wall mounting			
Environment				
Operating Temperature	-25 °C ~ +75 °C			
Storage Temperature	-40 °C ~ +80 °C			
Humidity	5 ~ 90% RH, non-condensing			

Pin Assignments

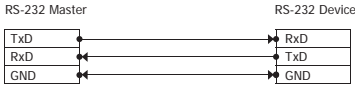
Terminal No.	Pin Assignment
E1	Link/Act
	10/100M
COM1	01 CTS1
	02 RTS1
	03 RxD1
	04 TxD1
COM2	05 INIT*
	06 D2+
	07 D2-
	08 (R)+Vs
	09 (B)GND



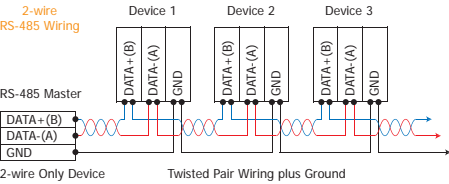
Terminal No.	Pin Assignment
23	D14
22	DCD4
21	DTR4
20	DSR4
COM4	19 CTS4
	18 RTS4
17	TxD4
16	RxD4
15	GND4
COM3	14 GND3
	13 RxD3
12	TxD3
11	RTS3
10	CTS3

Wiring

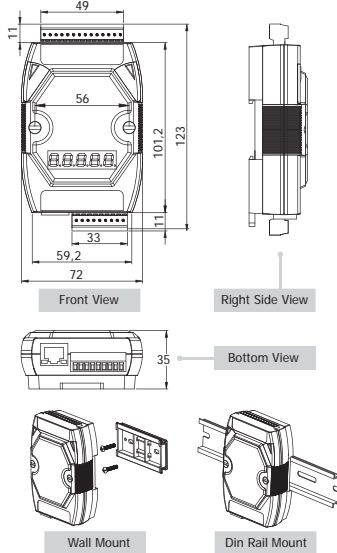
3-wire RS-232 Wiring



2-wire RS-485 Wiring



Dimensions (Unit: mm)



Ordering Information

PDS-742 CR	Programmable Device Server with 3 RS-232 ports and 1 RS-485 port (RoHS) Includes One CA-0910 Cable
PDS-742D CR	Programmable Device Server with 3 RS-232 ports, 1 RS-485 port and an LED Display (RoHS) Includes One CA-0910 Cable
PPDS-742-MTCP CR	Programmable Device Server with PoE, Modbus/TCP, 3 RS-232 ports and 1 RS-485 port (RoHS) Includes One CA-0910 Cable
PPDS-742D-MTCP CR	Programmable Device Server with PoE, Modbus/TCP, 3 RS-232 ports, 1 RS-485 port and an LED Display (RoHS) Includes One CA-0910 Cable

Accessories

GPSU06U-6	24 V _{DC} /0.25 A, 6 W Power Supply
MDR-20-24	24 V _{DC} /1 A, 24 W Power Supply with DIN-Rail Mounting
DIN-KA52F-48	48 V _{DC} /0.52 A, 25 W Power Supply with Din-Rail Mounting
CA-0903	9-Pin Female D-Sub and RS-232 Connector Cable, 30 cm Cable
CA-0910	9-Pin Female D-Sub and 3-wire RS-232 Cable, 1 m Cable
NS-205 CR	Unmanaged 5-port Industrial Ethernet Switch (RoHS)
NS-205PE CR	Unmanaged Ethernet Switch with 4 PoE Ports and 1 RJ-45 Uplink (RoHS)
DN-09-2	I/O Connector Block with DIN-Rail Mounting and Two 9-Pin Male Header. Includes CA-0915 x 2 (9-Pin Male-Female D-Sub Cable 1.5 m)
DN-09-2F	I/O Connector Block with DIN-Rail Mounting and Two 9-Pin Male Header. Includes CA-0910F x 2 (9-Pin Female-Female D-Sub Cable 1.0 m)