

### Features

- x86 CPU, 1 GHz, dual-core
- Windows CE 6.0
- Hard Real-Time Capability
- Rich I/O Expansion Ability (RS-232/RS-485, FRnet,CAN)
- VGA Port Output
- Support eLogger HMI
- Redundant Power Inputs
- Operating Temperature: -25 ~ +75°C



### Introduction

XP-8x31-CE6 Series is the new generation Windows CE 6.0 based PACs of ICP DAS. It is equipped with a x86 CPU (1 GHz) dual-core, various connectivity (VGA, USB, Ethernet, RS-232/485) and 1/3/7 I/O slot(s) for high performance parallel I/O modules (high profile I-8K Series) and serial I/O modules (high profile I-87K series). The benefits of running Windows CE 6.0 on XP-8x31-CE6 include hard real-time capability, small core size, fast boot speed, interrupt handling at a deeper level and achievable deterministic control. XPAC is also capable of running PC-based control software such as Visual Basic .NET, Visual C#,.... etc. It has all of the best features of both traditional PLCs and Windows capable PCs.

For software copy protection, programmers can design software based on the 64-bit hardware serial number for making software copy protected.

### Windows CE6

Windows CE 6 is a compact and real-time OS used to quickly create time critical and high performance applications. With Windows CE 6, users can use familiar tools (VS .NET 2005/2008) to develop software. Its kernel architecture supports significantly more simultaneously running processes, from 32 up to 32,000 simultaneous processes, each of which can run in a 2 GB virtual memory address space. This allows developers to incorporate larger numbers of more complex applications into the XP-8x31-CE6.



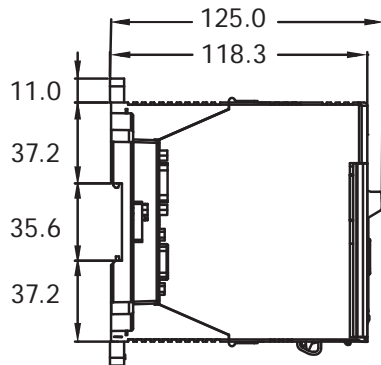
- FTP Server
- Web Server
- SQL Compact Edition 3.5
- .NET Compact Framework 3.5

## Specifications

Models	XP-8131-CE6	XP-8331-CE6	XP-8731-CE6
<b>System Software</b>			
OS	Windows CE 6.0		
.Net Compact Framework	3.5		
Embedded Service	FTP Server, ASP (Java Script, VB Script), SQL Compact Edition 3.5		
SDK Provided	DII for Visual Studio .Net 2005/2008		
Multilanguage Support	English, German, French, Spanish, Russian, Italian, Czech, Japanese, Korean, Simplified Chinese, Traditional Chinese		
<b>CPU Module</b>			
CPU	x86 CPU, 1 GHz, dual-core		
System Memory	2 GB DDR3		
Non-volatile Memory, MRAM	512 KB (retain memory without battery support)		
Flash	32 GB		
EEPROM	16 KB		
CF Card	8 GB (support up to 32 GB)		
RTC (Real Time Clock)	Provide second, minute, hour, date, day of week, month, year		
Programmable LED Indicator	2		
64-bit Hardware Serial Number	Yes, for Software Copy Protection		
Dual Watchdog Timers	Yes		
Rotary Switch	Yes (0 to 9)		
DIP Switch	Yes (8 bits)		
Audio	Microphone-In and Earphone-Out		
<b>VGA &amp; Communication Ports</b>			
VGA	Yes, (resolution: 1024 x 768, 800 x 600 , 640 x 480)		
Ethernet (Giga bit)	RJ-45 x 2, 10/100/1000 Base-T (Auto-negotiating, Auto MDI/MDI-X, LED indicators)		
USB 2.0	4		
COM 1	Internal communication with the high profile I-87K series modules in slots		
COM 2	RS-232 (Rx/D, Tx/D and GND); non-isolated		
COM 3	RS-485 (Data+, Data-) with internal self-tuner ASIC; 3000 VDC isolated		
COM 4	RS-232/RS-485 (Rx/D, Tx/D, CTS, RTS and GND for RS-232, Data+ and Data- for RS-485); non-isolated		
COM 5	RS-232 (Rx/D, Tx/D, CTS, RTS, DSR, DTR, CD, RI and GND); non-isolated		
<b>I/O Expansion Slots</b>			
Slot Number	1	3	7
<b>Mechanical</b>			
Dimensions (W x L x H)	169 mm x 132 mm x 125 mm	231 mm x 132 mm x 125 mm	355 mm x 132 mm x 125 mm
Installation	DIN-Rail or Wall Mounting		
<b>Environmental</b>			
Operating Temperature	-25 to +75°C		
Storage Temperature	-30 to +80°C		
Ambient Relative Humidity	10 to 90% RH, non-condensing		
<b>Power</b>			
Input Range	+10 to +30 V <sub>DC</sub>		
Isolation	1 kV		
Redundant Power Inputs	Yes, with one power relay (1 A @ 24 V <sub>DC</sub> ) for alarm		
Capacity	3.7 A, 5 V supply to CPU and backplane, 1.3 A, 5 V supply to I/O expansion slots, 25 W in total	3.8 A, 5 V supply to CPU and backplane, 3.2 A, 5 V supply to I/O expansion slots, 30 W in total	4.0 A, 5 V supply to CPU and backplane, 3.0 A, 5 V supply to I/O expansion slots, 35 W in total
Consumption	16.6 W (0.69 A @ 24 V <sub>DC</sub> )	16.8 W (0.7 A @ 24 V <sub>DC</sub> )	18 W (0.75 A @ 24 V <sub>DC</sub> )

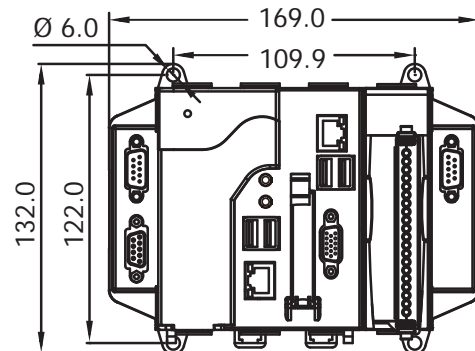
■ Dimensions

Side View



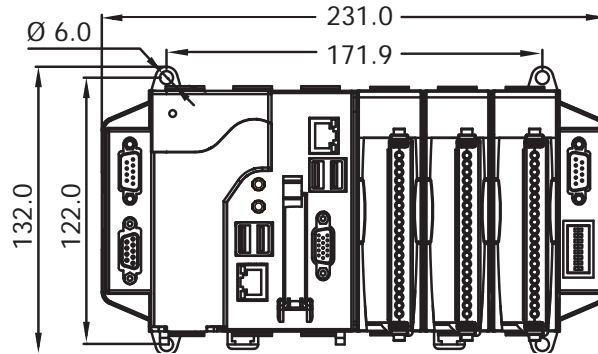
Front View

XP-8131-CE6



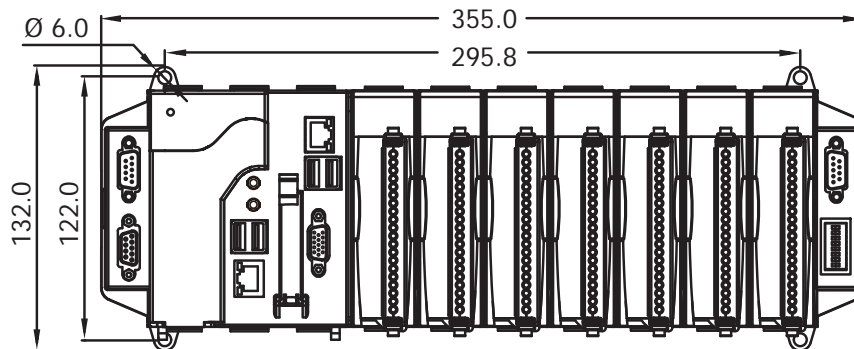
Front View

XP-8331-CE6



Front View

XP-8731-CE6



XP-8x31-CE6 Series

■ Ordering Information

<b>XP-8131-CE6</b>	Standard XP-8000-CE6 with x86 CPU, Windows CE6 OS, and 1 I/O Slot (RoHS)
<b>XP-8331-CE6</b>	Standard XP-8000-CE6 with x86 CPU, Windows CE6 OS, and 3 I/O Slots (RoHS)
<b>XP-8731-CE6</b>	Standard XP-8000-CE6 with x86 CPU, Windows CE6 OS, and 7 I/O Slots (RoHS)