
DeviceNet Slave Device

CAN-2053D

Application User's Manual

Warranty

Without contrived damage, all products manufactured by ICP DAS are warranted in one year from the date of delivery to customers.

Warning

ICP DAS revises the manual at any time without notice. However, no responsibility is taken by ICP DAS unless infringement act imperils to patents of the third parties.

Copyright

Copyright © 2010 is reserved by ICP DAS.

Trademark

The brand name ICP DAS as a trademark is registered, and can be used by other authorized companies.

Contents

1	Introduction.....	3
1.1	Overview.....	3
1.2	Hardware Specifications	4
1.3	Features.....	5
1.4	Application	5
2	Hardware	6
2.1	Structure.....	6
2.2	Node ID & Baud Rate Rotary Switch	7
2.3	LED Description.....	8
2.4	PIN Assignment	10
2.5	Wire Connection	11
3	DeviceNet Profile Area	12
3.1	DeviceNet Statement of Compliance.....	12
3.2	Identity Object (Class ID: 0x01)	13
3.3	Connection Object (Class ID:0x05)	14
3.4	Assembly Object (Class ID: 0x04)	15
3.5	Application Object1 (Class ID: 0x64).....	17
4	Application	19
	Appendix A: Dimension.....	20

1 Introduction

1.1 Overview

DeviceNet is one kind of the network protocols based on the CAN bus and mainly used for the embedded network of the machine control, such as industrial machine control , aircraft engines monitoring, factory automation, medical equipments control, remote data acquisition, environmental monitoring, and packaging machines control, etc.

The CAN-2053D follows DeviceNet specification Volume I/II, Release 2.0. User can access the digital output status and set the configuration via DeviceNet EDS file. CAN-2053D has 16-channel isolated sink/source input and it can be used to various applications, such as PNP, NPN, TTL, relay contact and so forth. By owing to the DeviceNet masters of ICP DAS, you can quickly build a DeviceNet network to approach your requirements.



1.2 Hardware Specifications

Digital Input:

- Input Channels: 16 (Sink/Source)
- Input Type: 4 commons for all inputs.
- On Voltage Level: +3.5 ~ +30 V_{DC}.
- Off Voltage Level: +1 V_{DC} max.
- Input Impedance: 3 k Ω , 0.3 W
- Intra-module Isolation, Field to Logic: 3750 Vrms.
- ESD Protection: 4 kV Contact for each channel.

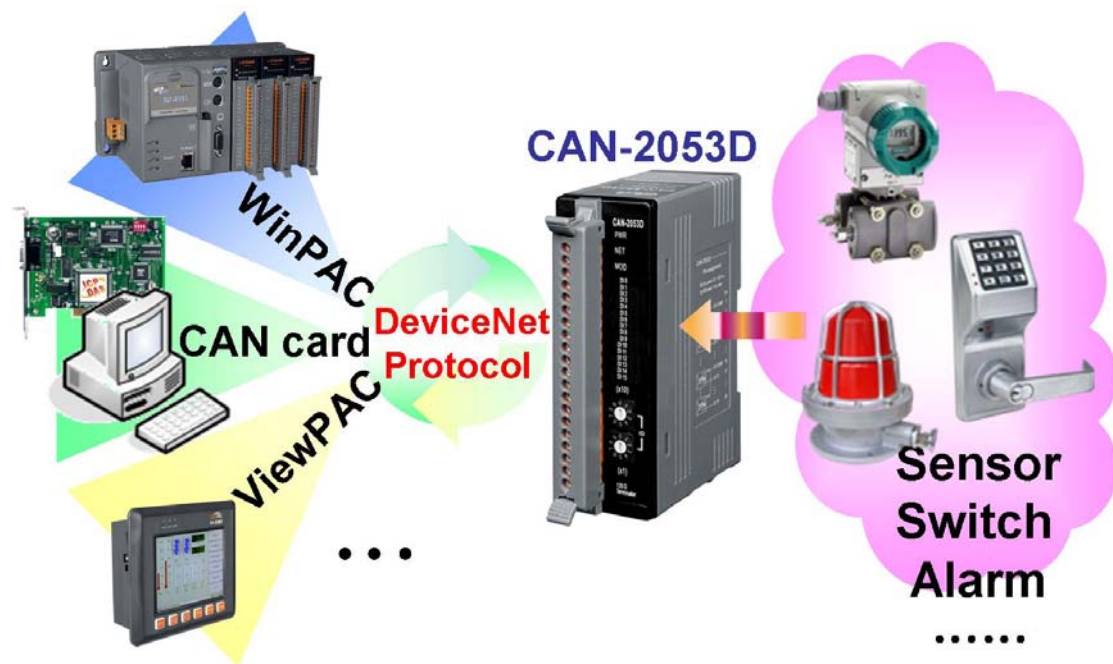
Others:

- DeviceNet Status: 3 LEDs for PWR / NET / MOD.
- Terminal Resister: 1 LED as terminator resister indicators
- DI LED: 16 LEDs as digital input indicators.
- Power Requirement: +10 ~ +30 V_{DC}, 1.5 W.
- Operating Temperature: -25 ~ +75 °C.
- Storage Temperature: -30 ~ +80 °C.
- Humidity: 10 to 90% RH, Non-condensing.
- Dimensions: 32.3 mm x 99 mm x 77.5 mm (W x L x H) [Detail](#).

1.3 Features

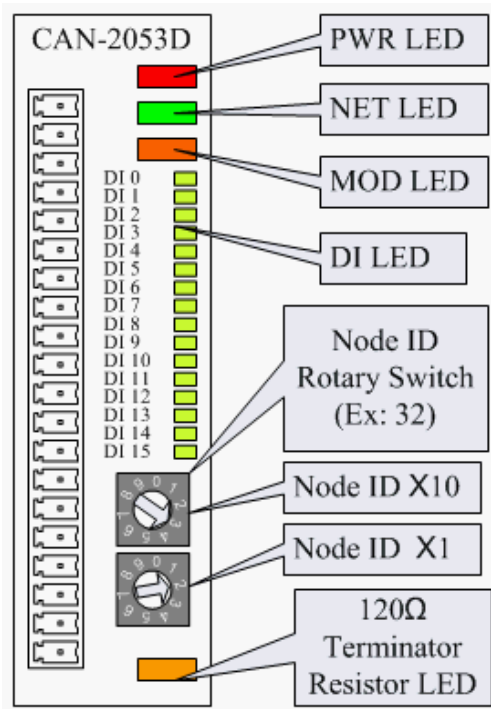
- DeviceNet general I/O slave devices.
- Comply with DeviceNet specification Volume I, Release 2.0 & Volume II, Release 2.0, Errata 5
- Group 2 Only Server (non UCMM-capable)
- Support Predefined Master/Slave Connection Set
- Connection supported:
 - 1 connection for Explicit Messaging
 - 1 connection for Polled I/O
 - 1 connection for Bit-Strobe I/O connection
- Support DeviceNet heartbeat and shutdown messages
- Provide EDS file for standard DeviceNet master interface.
- NET, MOD and PWR DeviceNet status led indicators

1.4 Application

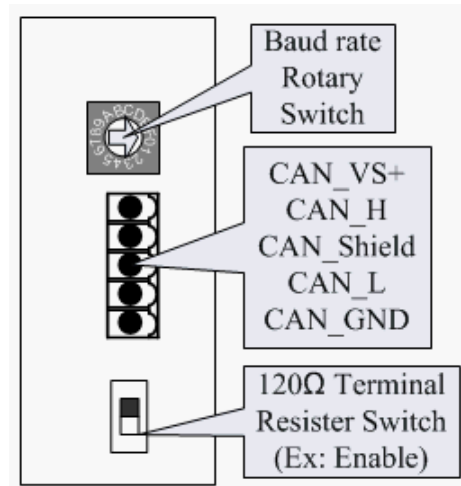


2 Hardware

2.1 Structure



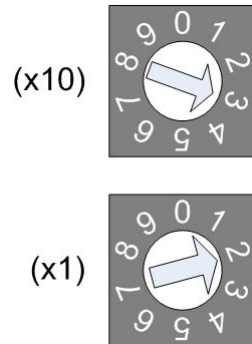
(Top View)



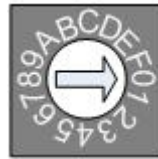
(Bottom View)

2.2 Node ID & Baud Rate Rotary Switch

The rotary switches of node ID configure the node ID of the CAN-2053D module. These two switches are for the tens digit and the units digit of the node ID. The node ID value of this demo picture is 32.



The rotary switch for baud rate handles the CAN baud rate of the CAN-2053D module. The relationship between the rotary switch value and the practical baud rate is presented in the following table.



Baud rate rotary switch

Rotary Switch Value	Baud rate (kbps)
0	125
1	250
2	500

2.3 LED Description

PWR LED

The CAN-2053D needs the power of 10 ~ 30 V_{DC}. Under a normal connection, a good power supply and a correct voltage selection, as the unit is turned on, the LED will light up in red.

NET LED

The NET LED indicates the current status of the DeviceNet communication link.

condition	status	indicates
Init Off	Off line	Device is not online
Off	Connection timeout	I/O connection timeout
Flashing	On line	Device is on line, but not communicating
Init solid	Link failed	(Critical) Device has detected an error that has rendered it incapable of communicating on the link; for example, detected a duplicate node address or network configuration error
Solid	On line, communicating	Device is online and communicating

MOD LED

This LED provides the devices status. It indicates whether or not the device is operating properly.

condition	status	indicates
Off	Normal	
Solid	Critical fault	Device has unrecoverable fault.
Flashing	Non_critical fault	Device has recoverable fault to recover. If users want to fix the problem, reconfiguring device's MAC ID or resetting device may work.

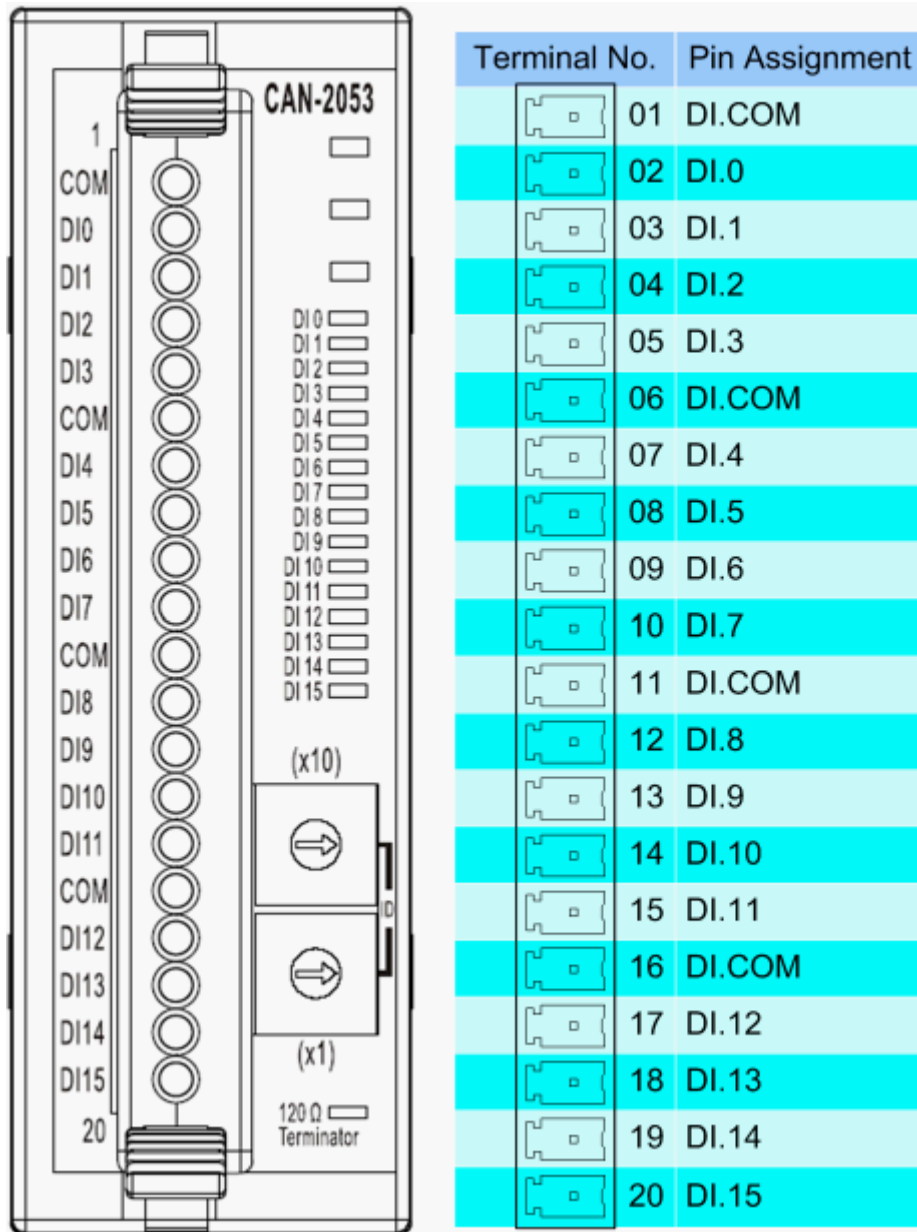
Terminal Resistor LED

When enable the 120 Ω terminator resistor, the LED will turn on.

DI LED

If the DI LED turns on, it means that the corresponding DI channel receives an ON voltage-level digital signal.

2.4 PIN Assignment



2.5 Wire Connection

Input Type	ON State LED ON Readback as 1	OFF State LED OFF Readback as 0
Relay Contact	Relay On	Relay Off
TTL/CMOS Logic	Voltage > 10 V	Voltage < 4 V
NPN Output	Open Collector On	Open Collector Off
PNP Output	Open Collector On	Open Collector Off

3 DeviceNet Profile Area

This section documents the detailed functions for each object class that is implemented in the CAN-2053D DeviceNet network.

3.1 DeviceNet Statement of Compliance

General Device Data

Device Information	Description
Version Description of DeviceNet Specification	Volume I, Release 2.0 & Volume II, Release 2.0
Vendor Name	ICP DAS
Device Profile Name	CAN-2053D
Production Revision	1.1

DeviceNet Physical Conformance Data

Item	Description
LED Support	Yes
MAC ID Setting	Switch (0 ~ 63)
Default MAC ID	1
Communication Baud Rate Setting	Switch (125, 250, 500 kbps)
Default Baud Rate	125 kbps
Predefined Master/Slave Connection Set	Group 2 Only Server

3.2 Identity Object (Class ID: 0x01)

This object provides the identification of and general information about the device.

Class Attribute (Instance ID=0)

Attribute ID	Attribute name	Data Type	Method	Value
0x01	Revision	UINT	Get	0001
0x02	Max Instance	UINT	Get	1

Class Service

Service Code	Service name	Support
0x0E	Get_Attribute_Single	Yes

Instance Attribute (Instance ID=1)

Attribute ID	Description	Method	DeviceNet Data Type	Value
1	Vendor	Get	UINT	803
2	Product type	Get	UINT	0x00
3	Product code	Get	UINT	0x100
4	Major. Minor of firmware version	Get	Struct of USINT USINT	1.1
5	Status	Get	WORD	-
6	Serial number	Get	UDINT	1
7	Product name	Get	Short_String	CAN-2053D
10	Heartbeat Interval	Get/Set	USINT	0(default)

Instance Service

Service Code	Service name	Support
0x0E	Get_Attribute_Single	Yes
0x10	Set_Attribute_Single	Yes
0x05	Reset	Yes

Note: Use the Instance Service 0x05 will reboot the device.

3.3 Connection Object (Class ID:0x05)

This section presents the externally visible characteristics of the Connection Objects associated with the Predefined Master/Slave Connection Set within slave devices.

The default IO connection path is as follow.

Connection Path	Class ID	Instance ID	Attribute ID
Poll Produced	0x04	0x64	0x03
Poll Consumed	0x64	0x01	0x02
Bit Strobe Produced	0x04	0x64	0x03
Bit Strobe Consumed	0x64	0x01	0x02

Connection Instance ID	Description
1	References the Explicit Messaging Connection into the Server
2	References the Poll I/O Connection
3	References the Bit–Strobe I/O Connection

3.4 Assembly Object (Class ID: 0x04)

The Assembly Object binds attributes of multiple objects, which allows data to or from each object to be sent or received over a single connection. Assembly objects can be used to bind input data or output data. The terms of "input" and "output" are defined from the network's point of view. An input will produce data on the network and an output will consume data from the network.

Class attribute (Instance ID=0)

Attribute ID	Attribute name	Data Type	Method	Value
0x01	Revision	UINT	Get	1
0x02	Max Instance	UINT	Get	0x01

Class service

Service Code	Service name	Support
0x0E	Get_Attribute_Single	Yes

Instance ID

Instance ID	OUTPUT	INPUT
0x64	-	Get DI value

Contents of Each Assembly Object Instance

Instance ID	Description	Type	Method	Default Value
0x64	Channel 0 ~ 15 DI value	UINT	Get	0x0000

Parameter description of Assembly Object Instance

Instance ID	Data Range	Parameter Description
0x64	0x0000 ~ 0xFFFF	Bit 0 => channel 0 DI value Bit 1 => channel 1 DI value ... Bit 15 => channel 15 DI value

Instance attribute (Instance ID=0x64)

Attribute ID	Description	Method	DeviceNet Data Type	Value
0x03	Data	Get	INPUT	Dependent on instance ID

Instance service

Service Code	Service name	Support
0x0E	Get_Attribute_Single	Yes
0x10	Set_Attribute_Single	Yes

3.5 Application Object1 (Class ID: 0x64)

Application objects are the interfaces between an application and the DeviceNet Layer. The attributes of application Objects contain the data for the application, which are accessed and exchanged via DeviceNet. DeviceNet accesses application data by invoking read and write functions. These functions need to be provided by an Application Object. DeviceNet provides Get_Attribute_Single and Set_Attribute_Single to read and write CAN-2053D module.

Application Object1 defines digital output channels configuration.

Class attribute (Instance ID=0)

Attribute ID	Attribute name	Data Type	Method	Value
0x01	Revision	UINT	Get	1
0x02	Max Instance	UINT	Get	0x02

Class service

Service Code	Service name	Support
0x0E	Get_Attribute_Single	Yes

Instance attribute (Instance ID=0x01)

Attribute ID	Description	Method	Data Type	Default Value
0x01	DI value	Get	UINT	0x0000
0x02	Save all Configuration to EEPROM	Set	USINT	-

Parameter description of Application Object1 attributes

Attribute ID	Data Range	Parameter Description
0x01	0x0000 ~ 0xFFFF	Bit 0 => channel 0 DI value Bit 1 => channel 1 DI value ... Bit 15 => channel 15 DI value
0x02	0x01: Use default configuration 0x02: Save all Configuration to EEPROM	0x01: After restarting the device, all configurations will become factory setting. 0x02: Save all channels configuration into EEPROM

Instance service

Service Code	Service name	Support
0x0E	Get_Attribute_Single	Yes
0x10	Set_Attribute_Single	Yes

4 Application


Application Object1 (Class ID:0x64) lists all the parameters of the module. By using “Set/Get Attribute Single” service, you can read/write all the parameters.

Example1:


Get DI data (Class ID: 0x64, Instance ID: 0x01, Attribute ID 0x01).

If the node ID of the CAN-2053D is 1, the master (ID: 0x0A) has completed “Explicit” connection with the device. By owing to get the Attribute ID 0x01, you can get the DI data of the channel 0 ~ channel 15.

IDENTIFIER BITS											RTR	Data Length	8-byte Data (byte) (HEX)							
Destination MAC ID													0	1	2	3	4	5	6	7
10	9	8	7	6	5	4	3	2	1	0										
1	0	0	0	0	0	0	1	1	0	0	0	5	0A	0E	64	01	01	--	--	--

Master  **Slave (CAN-2053D)**

IDENTIFIER BITS											RTR	Data Length	8-byte Data (byte) (HEX)							
Source MAC ID													0	1	2	3	4	5	6	7
10	9	8	7	6	5	4	3	2	1	0										
1	0	0	0	0	0	0	1	0	1	1	0	4	0A	8E	0F	00	--	--	--	--

Master  **Slave (CAN-2053D)**

Get Application Object1 with Instance ID 0x01 and Attribute ID 0x01.

After sending the “Get Attribute Single”, the slave device will respond the DI data (0x000F) at byte 2 and byte 3. The data 0x000F means that the DI channels of DI3, DI2, DI1 and DI0 are turn on and others are turn off.

Through changing the Attribute ID of the Application Object1, you can get other parameters of this device.

Appendix A: Dimension

