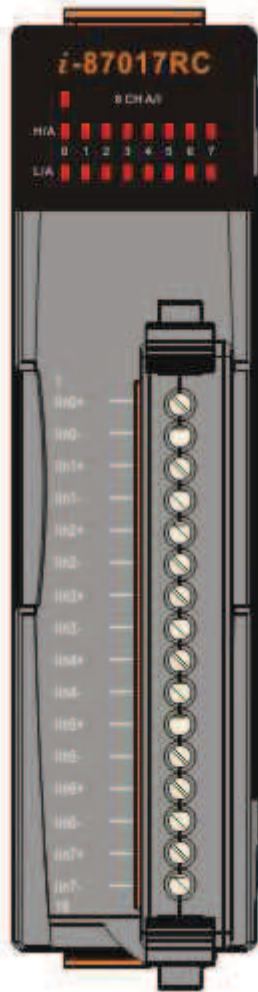


# I-87017RCW Hardware User Guide

## I-87017RCW Specification

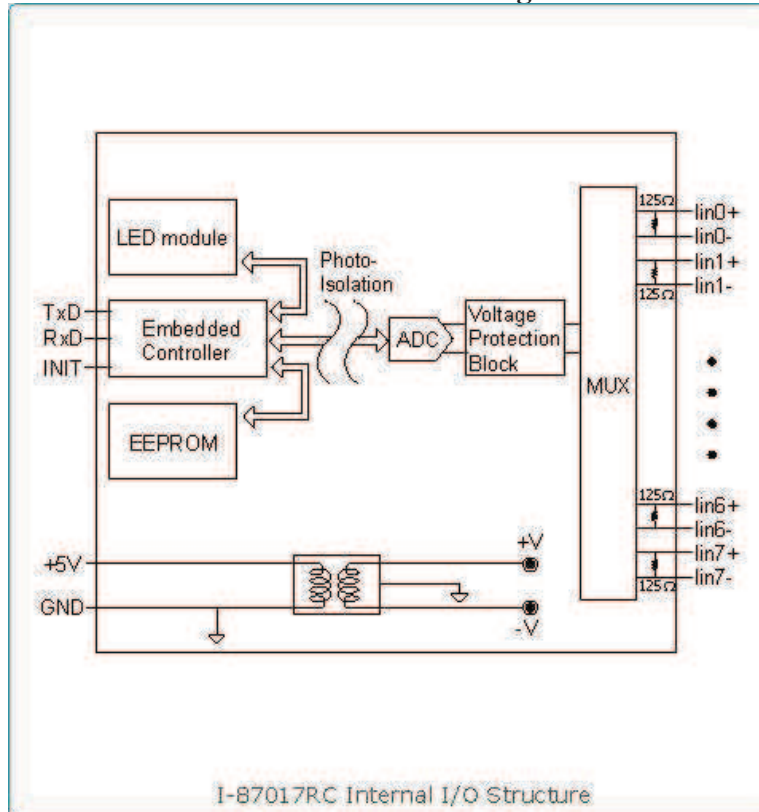
<b>Analog Input</b>	Input Channels	8 differential
	Input Type	0~+20mA, +4~+20mA, -20mA ~ +20mA (No external resistor required)
	Resolution	16-bit / 12-bit
	Sampling Rate	Normal mode : 16-bit,10 samples/sec (total)
		Fast mode : 12-bit,60 sample/sec(total)
	Accuracy	Normal mode : 0.1% of FSR
		Fast mode : 0.5% of FSR
	-3dB BandWidth	15.7Hz
	Zero drift	+/- 20 $\mu$ V/ °C
	Span drift	+/- 25 $\mu$ V/ °C
	Common Mode Rejection	86dB
	Normal Mode Rejection	100 dB
	Input Impedance	125 Ohms
	Common Voltage	200 VDC
Intra-module Isolation, Field to Logic	3000VDC	
<b>LED Display</b>	1 LED as Power/Communication indicator 16 LEDs as High/Low Alarm signals	
<b>Power Consumption</b>	Maximum : 1.1W	

## I-87017RCW Pin Assignment

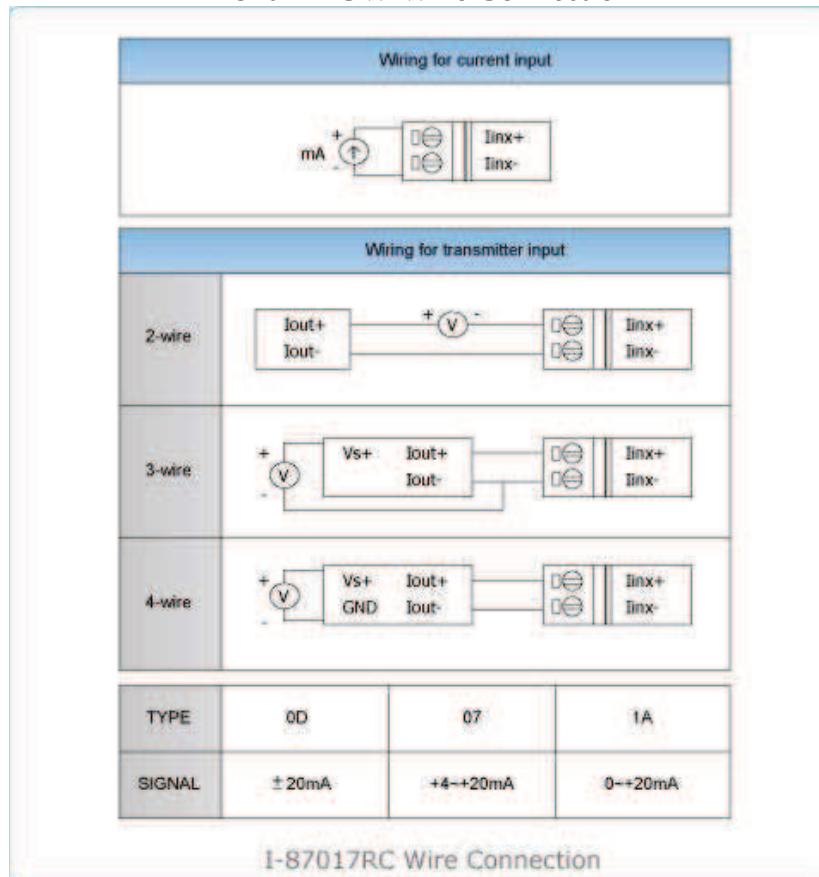


Terminal No.	Pin Assignment Name
01	lin0+
02	lin0-
03	lin1+
04	lin1-
05	lin2+
06	lin2-
07	lin3+
08	lin3-
09	lin4+
10	lin4-
11	lin5+
12	lin5-
13	lin6+
14	lin6-
15	lin7+
16	lin7-

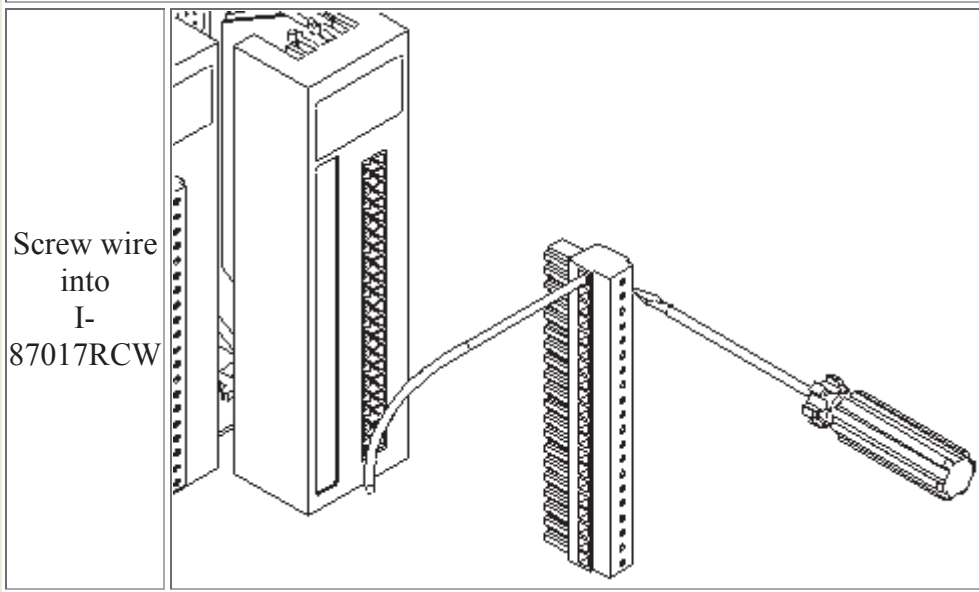
## I-87017RCW Block Diagram



## I-87017RCW Wire Connection



Note: When connecting to a current source, no external 125-Ohm resistor is required.



### I-87017RCW Dimension

