

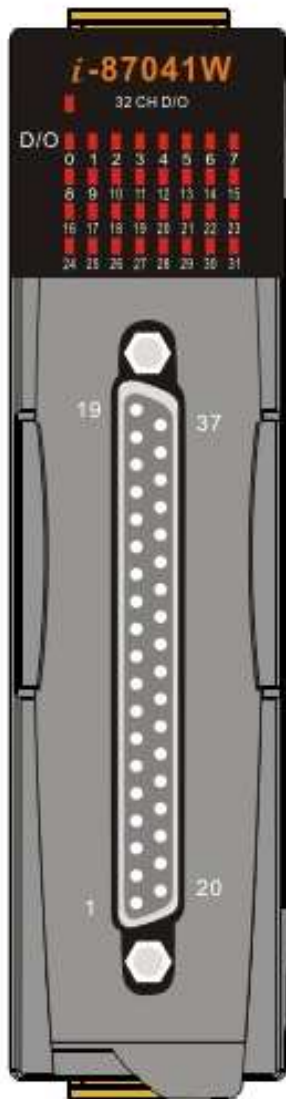
I-87041W Hardware User Guide *Ver 1.0*

Last Modified 05/28/2007

I-87041W Specifications

Digital Output Module	
<i>Input Channels</i>	<i>32(Sink)</i>
<i>Output Type</i>	<i>Isolated, Open-collector</i>
<i>Load voltage</i>	<i>+5V~+30V</i>
<i>Max. load current</i>	<i>100mA/Channel</i>
<i>Isolation Voltage</i>	<i>3750 Vrms</i>
<i>4KV ESD Protection</i>	<i>Yes, contact for each terminal</i>
<i>LED Display</i>	<i>1 LED as Power/ Communication Indicator 32 LED as Digital output Indicators</i>
<i>Power Consumption</i>	<i>0.7W max.</i>

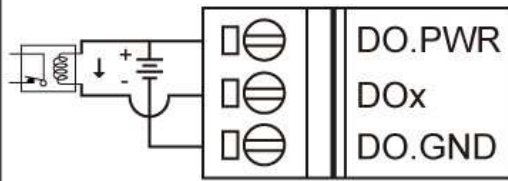
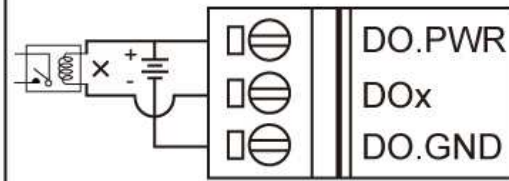
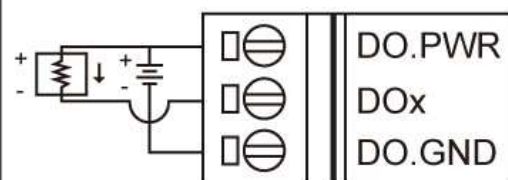
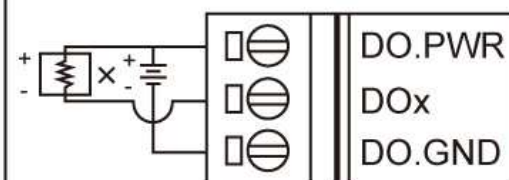
I-87041W Pin Assignment



Pin Assignment Name	Terminal No.	Pin Assignment Name
Ext.PWR	19	
Ext.GND	18	37
Ext.GND	17	36
DO_15	16	35
DO_14	15	34
DO_13	14	33
DO_12	13	32
DO_11	12	31
DO_10	11	30
DO_9	10	29
DO_8	09	28
DO_7	08	27
DO_6	07	26
DO_5	06	25
DO_4	05	24
DO_3	04	23
DO_2	03	22
DO_1	02	21
DO_0	01	20

37-pin male D-Sub Connector

I-87041W Wire Connection Type

Output Type	ON State LED ON Readback as 1	OFF State LED OFF Readback as 0
	Relay ON	Relay Off
Drive Relay		
Resistance Load		

I-87041W Internal I/O Structure

