

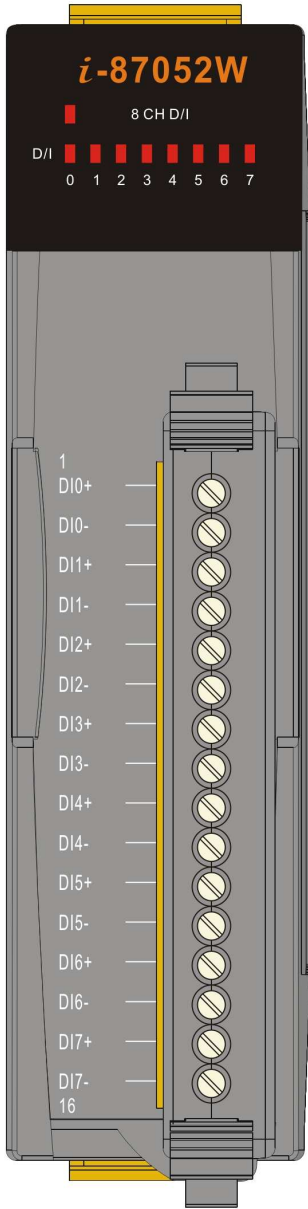
I-87052W Hardware User Guide *Ver 1.0*

Last Modified 12/04/2006

I-87052W Specifications

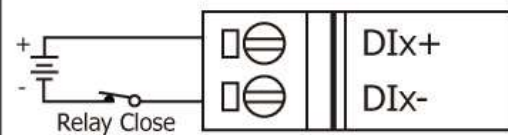
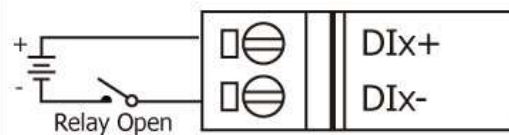
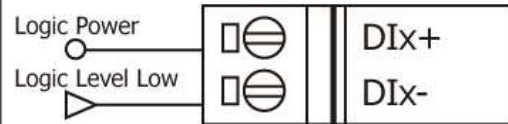
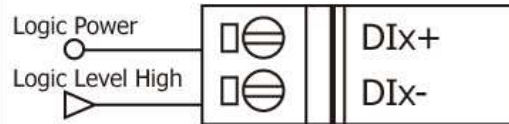
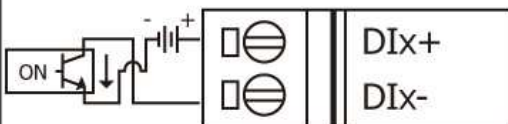
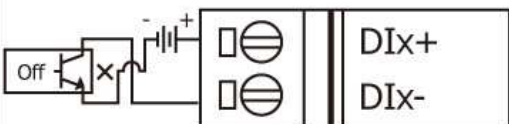
Digital input Module	
<i>Input Channels</i>	<i>8(Sink/Source)</i>
<i>Input Type</i>	<i>Isolated differential digital input</i>
<i>ON State</i>	<i>+3.5V~30V</i>
<i>OFF State</i>	<i>+1V Max.</i>
<i>Input Impedance</i>	<i>3K Ohms, 0.33W</i>
<i>Isolation Voltage</i>	<i>5000 Vrms</i>
<i>4KV ESD Protection</i>	<i>Yes, contact for each terminal</i>
<i>LED Display</i>	<i>1 LED as Power/ Communication Indicator 8 LED as Digital input Indicators</i>
<i>Power Consumption</i>	<i>0.3W max.</i>

I-87052W Pin Assignment



Terminal No.	Pin Assignment Name
01	DI0+
02	DI0-
03	DI1+
04	DI1-
05	DI2+
06	DI2-
07	DI3+
08	DI3-
09	DI4+
10	DI4-
11	DI5+
12	DI5-
13	DI6+
14	DI6-
15	DI7+
16	DI7-

I-87052W Wire Connection Type

Input Type	ON State LED ON Readback as 1	OFF State LED OFF Readback as 0
Relay Contact	Relay ON	Relay Off
		
TTL/CMOS Logic	Voltage < 1V	Voltage > 3.5V
		
Open Collector	Open Collector On	Open Collector Off
		

I-87052W Internal I/O Structure

