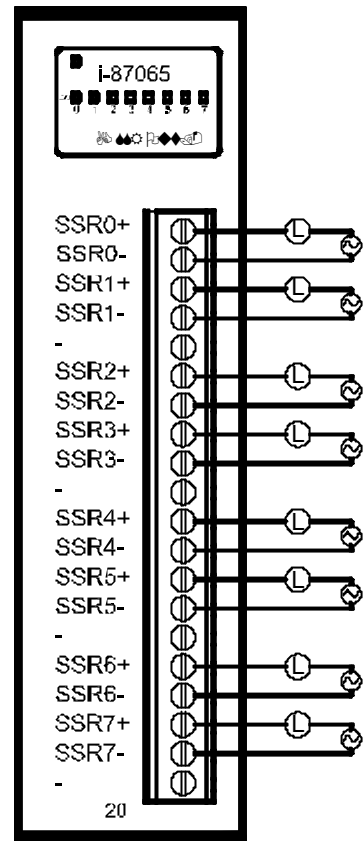


Specification

AC-SSR Output Module

Output Channel	8
AC-SSR Type	Normal Open
Load Voltage Rating	24 to 265 Vrms
Off-state Leakage Current	1.5mArms (at 200Vrms 60Hz) max.
Load Current	1.0Arms max.
Operate Time	1mS max.
Release Time	1/2 cycle + 1mS max.
Dielectric Strength	2500Vrms
LED Display	1 LED as Power indicator 8 LEDs as DO indicators
Power Consumption	Typical: 0.5W Max. : 0.7Ws



I-87065 Wire Connection Type

Output Type	ON State LED ON Readback as 1	OFF State LED OFF Readback as 0
AC-SSR Output		

I-87065 Internal I/O Structure

