

WinPAC-8000 User Manual (Standard series solution)

Version 2.0.5, February 2011

Service and usage information for



Model: WP-8131



Model: WP-8431



Model: WP-8831



Model: WP-8141



Model: WP-8441



Model: WP-8841

Written by Sean Hsu

Edited by Anna Huang

Warranty

All products manufactured by ICP DAS are under warranty regarding defective materials for a period of one year, beginning from the date of delivery to the original purchaser.

Warning

ICP DAS assumes no liability for any damage resulting from the use of this product. ICP DAS reserves the right to change this manual at any time without notice. The information furnished by ICP DAS is believed to be accurate and reliable. However, no responsibility is assumed by ICP DAS for its use, not for any infringements of patents or other rights of third parties resulting from its use.

Copyright

Copyright © 2009 by ICP DAS Co., Ltd. All rights are reserved.

Trademark

The names used for identification only may be registered trademarks of their respective companies.

Contact US

If you have any problem, please feel free to contact us.
You can count on us for quick response.

Email: service@icpdas.com

Table of Contents

1. Introduction	7
1.1. Features	8
1.2. Specifications.....	15
1.3. Dimensions	20
1.4. Overview.....	23
1.5. Companion CD	32
1.6. Comparison of WinPAC and WinCon	33
2. Getting Started	39
2.1. Mounting the Hardware	39
2.2. Inserting I/O Modules.....	41
2.3. Configuring the Boot Mode	44
2.4. Using WinPAC Utility to manage the WinPAC	48
2.5. Using DCON Utility to Configure I/O Modules.....	49
2.6. Changing the User Interface Language	51
2.7. Installing the Touch Panel Driver	53
2.8. Using Backup Utility to back up the settings and files.....	54
2.9. A caution about using System_Disk.....	56
3. Tools and Tasks.....	57
3.1. DCON Utility	60
3.2. NAPOPC_CE5.....	61
3.3. SendToCOM	62
3.4. VCEP.....	63
3.5. WinPAC Utility.....	64

3.5.1. Menu Bar	65
3.5.2. Property Tabs	70
4. Your First WinPAC Program	81
4.1. Preparing the Development Tools	81
4.2. Installing WinPAC SDKs	82
4.3. Understanding the WinPAC SDK	83
4.3.1. WinPAC SDK Overview	84
4.3.2. WinPAC SDK Reference	86
4.4. Your First Program in C#	87
4.4.1. Create a new project	87
4.4.2. Add project reference for an application	89
4.4.3. Design and Build an application program	90
4.4.4. Execute the application on the WinPAC	93
4.5. Your First Program in VB.net	95
4.5.1. Create a new project	95
4.5.2. Add project reference for an application	97
4.5.3. Design and Build an application program	98
4.5.4. Execute the application on the WinPAC	101
4.6. Your First Program in eMbedded Visual C++	103
4.6.1. Create a new Forms-Based project	103
4.6.2. Configure compiler options	108
4.6.3. Specify the path for project reference	109
4.6.4. Design and Build an application program	113
4.6.5. Execute the application program on WinPAC	117
5. APIs and Demo References	118
5.1. Demo programs with C#	119
5.1.1. C# Demo programs for WinPAC Standard API	119

5.1.2. C# Demo programs for PAC IO API.....	121
5.2. Demo Programs with eMbedded Visual C++	124
5.2.1. eVC Demo programs for WinPAC Standard API	124
5.2.2. eVC Demo programs for PAC IO API	126
6. WinPAC Updates	129
6.1. OS updates.....	130
6.1.1. WinPAC OS updates using installation package file on WinPAC.....	132
6.1.2. WinPAC OS updates using Eshell via Ethernet	137
6.2. SDKs Updates	142
6.2.1. WinPAC SDK updates for C# or VB.net.....	143
6.2.2. WinPAC SDK updates for eMbedded Visual C++	144
7. WinPAC Download Center	145
Appendix A. Frame Ground.....	146
Appendix B. Redundant Power.....	147
Appendix C. I-8K and I-87K Modules.....	148
Appendix D. Application of RS-485 Network	149
D.1. Basic RS-485 Network	149
D.2. Daisy Chain RS-485 Network.....	150
D.3. Star Type RS-485 Network.....	151
D.4. Random RS-485 Network	153

D.5. Master/Slaves Settings	154
D.5.1. WinPAC as a Master (default):	155
D.5.2. WinPAC as a Slave	157

Appendix E. Tips – How to 159

E.1. How to set up a telnet and FTP account to login WinPAC.....	160
E.1.1. Add a telnet and FTP account	161
E.1.2. Remove a telnet and FTP account	162
E.1.3. Use a Telnet to login WinPAC from PC	163
E.2. How to online debug WinPAC	165
E.2.1. Debug WinPAC programs in EVC++	165
E.2.2. Debug WinPAC programs in Visual Studio 2005/2008.....	175
E.3. How to recompile WinCon programs.....	183
E.3.1. Compiler old programs which ran on Wincon 8x3x and 8x4x.....	184
E.3.2. Modify .vcp file to upgrade the old WinCon project	188
E.4. How to use the printer	189
E.4.1. How to use network printer.....	190
E.4.2. How to use printer via USB	192
E.5. How to use services tool	193

Appendix F. Revision History 196

1. Introduction



WinPAC-8000 is the second generation PAC of ICPDAS. It equips a PXA270 CPU (520 MHz) running a Windows CE.NET 5.0 operating system, various connections (VGA, USB, Ethernet, RS-232/485) and 1/4/8 slots for high performance parallel I/O modules (high profile I-8K series) and serial-type I/O modules (high profile I-87K I/O modules).

Its operating system, Windows CE 5.0, has many advantages, including hard real-time capability, small core size, fast boot speed, interrupt handling at a deeper level, achievable deterministic control and low cost. Using Windows CE.Net 5.0 in the WinPAC-8000 gives it the ability to run PC-based Control software such as Visual Basic.NET, Visual C#, Embedded Visual C++, SCADA software, Soft PLC ...etc.

Comparing with the first generation WinCon-8000, it not only improves the CPU performance (from 206 MHz to 520 MHz) and upgrading OS (from CE 4.1 to CE 5.0), but also adds many reliability features, such as dual LAN, redundant power input, dual battery backup SRAM, etc. It gives you all of the best features of both traditional PLCs and Windows capable PCs.

1.1. Features



Software Features

Windows CE .Net 5.0 Inside

Most of the popular features in MS software are included, such as

1. FTP Server
2. HTTP Server
3. ASP (Java script, VB script)
4. SQL Server Compact Edition 3.5
5. Compact .Net Framework 2.0

Remote Maintenance via FTP Server and VCEP Software

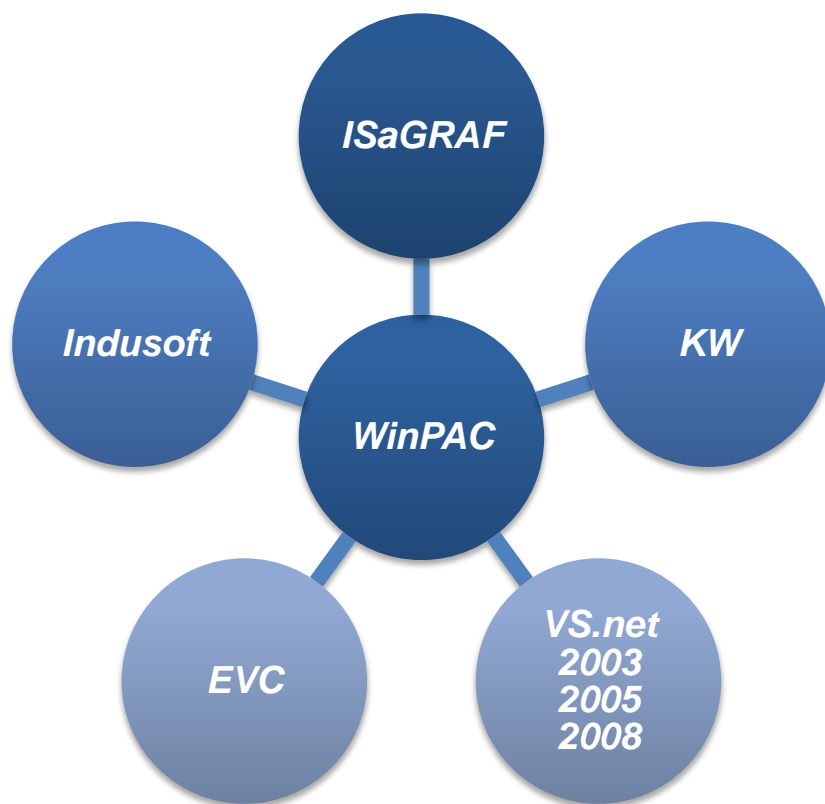
The FTP server is used for uploading applications or downloading data. And VCEP is designed for managing the WinPAC-8000. VCEP can synchronize every movement (screen, keyboard and mouse actions) between the PC and the WinPAC-8000 via the Ethernet. By using the FTP server and VCEP, you can update and manage the WinPAC-8000 remotely via the Ethernet.

Built-In OPC Server

NAPOPC_CE5 is an OPC server and SCADA software can easily integrate I/O modules through it. Furthermore, it also provides a library which users can use to develop their AP by eVC, C# or VB.Net.

NAPOPC_CE5 not only supports I/O modules in local slots, but also supports remote I/O modules with the following protocols via the RS-232/485 or Ethernet:

1. Modbus/RTU
2. Modbus/ASCII
3. Modbus/TCP
4. DCON



On the WinPAC-8000, ICP DAS provides the following software solutions to fit in different applications.

1. Visual Studio .Net 2003/2005/2008 and eVC solution:
SDK as well as demo programs for C#, VB.Net and eVC are provided.
2. SoftPLC solution:
 - A. ISaGRAF supports IEC61131-3 languages, Ladder Diagram (LD), Structured Text (ST), Function Block Diagram (FBD), Sequential Function Chart (SFC), Instruction List (IL), and Flow Chart (FC).
 - B. KW-software supports IEC61131-3 languages and HMI features.
3. SCADA solution:
Indusoft provides simple “drag and drop”, “point and click” developing environment for HMI and SCADA applications.

Upgrading applications from WinCon to WinPAC just copy and play



Users can upgrade their controller from WinCon-8000 to WinPAC-8000, and meanwhile still keep most of their old applications (.exe file) running smoothly on WinPAC-8000 without any modification. The only thing that users have to do is just to copy the .exe file from WinCon-8000, paste it to WinPAC-8000, and then play it. How simple it is. And for exceptions that old applications (.exe file) are not able to follow the copy-and-paste rule, users can still finish the upgrading by recompiling the old applications.

Hardware Features

Power CPU Module

The most important features of the CPU module are

1. PXA270 or compatible CPU (32-bit and 520MHz)
2. 128 MB SDRAM
3. 63 MB Built-In Flash Disk (WP-8x3x)
31 MB Built-In Flash Disk (WP-8x4x)

Built-in VGA Port

A built-in VGA port can be directly connected to a regular LCD display. Users can operate the HMI or SCADA software (running on the WinPAC-8000) with display, keyboard and mouse just as how they usually did on regular PCs.

64-bit Hardware Serial Number

The 64-bit hardware serial number is unique and individual. Every serial number of WinPAC-8000 is different. Users can add a checking mechanism to their AP to prevent software from pirating.

I/O Module Hot Swap Ability

The WinPAC-8000 features hot swap which means that there is no need to power off the WinPAC-8000 for replacing modules. And the OS provides a function sending plug-in and removing messages to user's applications. Using this feature, users can design its own plug-and-play applications.



Rich I/O Expansion Ability (RS-232/485, Ethernet, FRnet, CAN)

Beside the local I/O slots, WinPAC-8000 also equips several RS-232/485 ports, two Ethernet ports to connect serial I/O and Ethernet I/O. And with FRnet and CAN communication module in local slot, FRnet I/O and CAN devices are easy to be integrated.

[Built-In Flash Disk \(31/63 MB\)](#)

In normal situation, users can store their AP or data to the Micro SD card or USB Flash disk. But in some vibrational environment (for example, like driving ships), the two storage media would be bad connection. Then the built-in Flash disk will be the best storage media in such the vibrational environment.

[Dual Watchdog Timer](#)

A system could be hanged up when the OS or the AP fails. There are two watchdogs (OS watchdog and AP watchdog) designed to automatically reset the CPU when the situations happen. The design will increase the reliability of the system.

[Dual Battery-Backup SRAM \(512 KB\)](#)

To maintain important data while power off, non-volatile memory is the ideal design. The WinPAC-8000 equips a 512 KB SRAM with two Li-batteries to maintain data while power off.

The two Li-batteries can continually supply power to the 512 KB SRAM to retain the data for 5 years; and the dual-battery design can avoid data lost while replacing a new battery.

[Dual Ethernet Ports](#)

WinPAC-8000 provides two Ethernet ports. The two Ethernet ports can be used to implement redundant Ethernet communication and separate Ethernet communication (one for global Internet, one for private Ethernet).

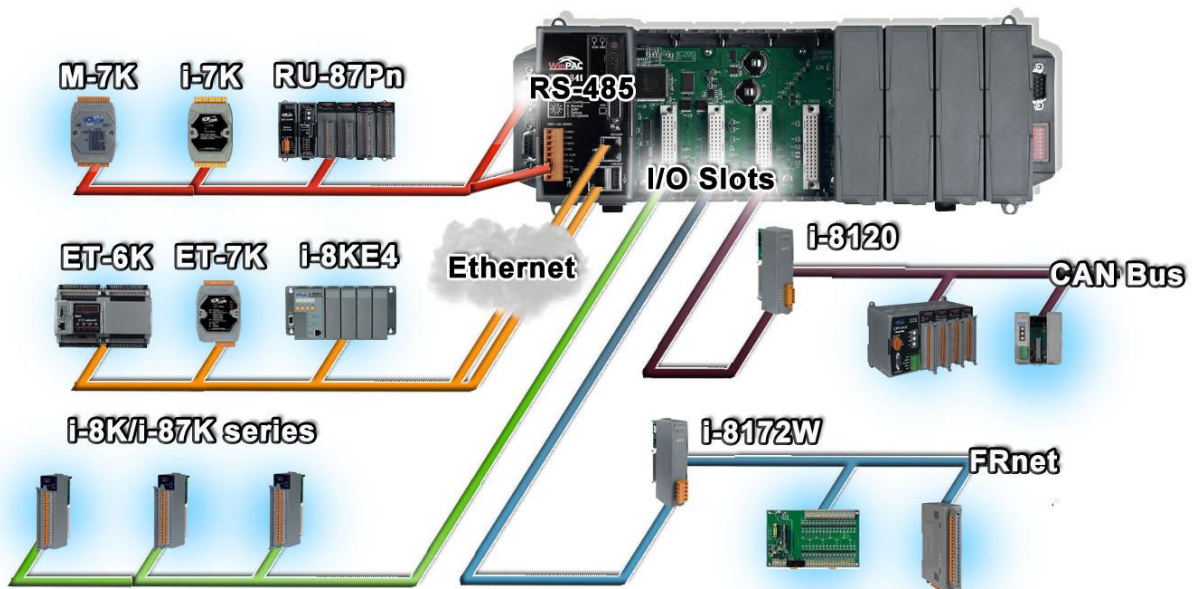
[Redundant Power Input](#)

To prevent the WinPAC-8000 from failing by the power loss, the power module is designed with two input connectors. Once a power input fails, the power module switches to the other power input. And there is a relay output for informing the power failure.

[Ventilated Housing Design Allows Operation Between -25 ~ +75 °C](#)

Each WinPAC-8000 is housed in a plastic-based box with a column-like ventilator that can help to cool the working environment inside the box and allow the WinPAC-8000 operating between -25 °C and +75 °C

I/O expansion



WinPAC-8000 provides the following I/O expansion bus

Local I/O Slot

There are 1/4/8 slot options to expand local I/O. And the I/O modules can be parallel bus type (high profile I-8K series) and serial bus type (high profile I-87K series).

The difference between them is

Item	I-8K Series	I-87K Series
Microprocessor	No	Yes (8051)
Communication interface	Parallel bus	Serial bus
Communication speed	Fast	Slow
DI latched function	No	Yes
Counter input (for digital input module)	No	Yes (100 Hz)
Power on value	No	Yes
Safe value	No	Yes
Programmable slew-rate for AO module	No	Yes

Ethernet

The available Ethernet I/O devices are ET-6000, ET-7000, I-8KE4/8 and I-8KE4/8-MTCP.

WinPAC-8000 can access them with Modbus/TCP or DCON protocol.

RS-485

WinPAC-8000 is equipped with two RS485 COM ports which enable the transmission rate up to a maximum of 115.2 Kbps. The medium for connection is a twisted-pair, multi-drop, 2-wire RS-485 network that can link i-7000, M-7000, RU-87Pn and high profile I-87K modules.

FRnet

FRnet is an innovative industrial field bus that has many special features, such as high-speed deterministic I/O control, real I/O synchronization capabilities, non-protocol communication, and easy programming. Plugging in an FRnet communication module (I-8172W), the WinPAC-8000 can link FRnet I/O modules to implement high-speed distributed I/O.

CAN Bus

The Controller Area Network (CAN) is a serial communication way, which efficiently supports distributed real-time control with a very high level of security. It provides the error-processing mechanisms and concepts of message priority. These features can improve the network reliability and transmission efficiency. Furthermore, CAN supplies the multi-master capabilities, and is especially suited for networking “intelligent” devices as well as sensors and actuators within a system or a sub-system. With I-8120, I-8123, I-8124, I-87120, I-87123, and I-87124, WinPAC-8000 is able to demonstrate every feature of CAN, CANopen, and DeviceNet.

1.2. Specifications

System Software	
OS	WinCE.Net 5.0
.Net Compact Framework	2.0
Embedded Service	FTP server, Web server (supports VB script, JAVA script), Embedded SQL server
SDK Provided	Dll for eVC, Dll for Visual Studio.Net 2003/2005/2008

CPU Module	
CPU	PXA 270 or compatible (32-bit and 520 MHz)
SDRAM	128 MB
Dual Battery Backup SRAM	512 KB (for 5 years data retain)
Flash	WP-8x3x: 128 MB (64 MB for OS image, 63 MB for built-in Flash disk, 1 MB for registry) WP-8x4x: 96 MB (64 MB for OS image, 31 MB for built-in Flash disk, 1 MB for registry)
Expansion Flash Memory	Micro SD socket with one 1 GB Micro SD card (can support 16GB microSD card)
RTC (Real Time Clock)	Year-2000 compliance; seconds, minutes, hours, date of the month; month, year, valid up from 1980 to 2079
EEPROM	16 KB (0 ~ 8 KB for user, 9 ~ 14 KB for other programs, 15 ~ 16 KB for OS), Data Retention: 40 years; 1,000,000 erase/write cycles
64-bit Hardware Serial Number	Yes
Dual Watchdog Timer	Yes
Programmable LED Indicator	1

Rotary Switch	Yes (0 ~ 9)
DIP Switch	Yes (8 bits); for WP-8431, WP-8441, WP-8831 and WP-8841 only

Power	
Input Range	+10 ~ +30 V _{DC}
Isolation	1 kV
Redundant Power Inputs	Yes, with one power relay (1 A @ 24 V _{DC}) for alarm
Capacity	<p>WP-8131 and WP-8141: 1.0 A, 5 V supply to CPU and backplane, 0.6 A, 5 V supply to I/O expansion slots, total 30 W</p> <p>WP-8431 and WP-8441: 1.1 A, 5 V supply to CPU and backplane, 4.9 A, 5 V supply to I/O expansion slots, total 30 W</p> <p>WP-8831 and WP-8841: 1.2 A, 5V supply to CPU and backplane, 4.8 A, 5 V supply to I/O expansion slots, total 30 W</p>
Consumption	<p>WP-8131 and WP-8141: 7.3 W (0.3 A @ 24 V)</p> <p>WP-8431 and WP-8441: 9.1 W (0.38 A @ 24 V)</p> <p>WP-8831 and WP-8841: 9.6 W (0.4 A @ 24 V)</p>

VGA & Communication Ports	
VGA	<p>WP-8x3x: Yes, with one extra GPU (resolution: 1024 x 768, 800 x 600, 640 x 480)</p> <p>WP-8x4x: Yes (640 x 480, 800 x 600 resolution)</p>
Ethernet Port	<p>RJ-45 x 2, 10/100 Base-TX (Auto-negotiating, LED indicators)</p>
USB 1.1 (host)	<p>WP-8x3x: 2 WP-8x4x: 1</p>

VGA & Communication Ports

COM0

(Internal RS-485 interface communication with I-87K I/O modules in slots) Note: CPU internal UART

Baud Rate – 115200 bps

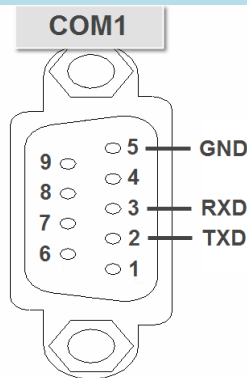
Data Bits – 8

Parity – None, Even, Odd

Stop Bits – 1

FIFO – 1 byte

COM1



(RS-232 used to update firmware) Note: CPU internal UART

Baud Rate – 115200, 57600, 38400, 19200, 9600, 4800, 2400, 1200 bps

Data Bits – 7, 8

Parity – None, Even, Odd

Stop Bits – 1

FIFO – 1 byte

COM2

(RS-485) Note: 16C550 compatible

Baud Rate – 115200, 57600, 38400, 19200, 9600, 4800, 2400, 1200 bps

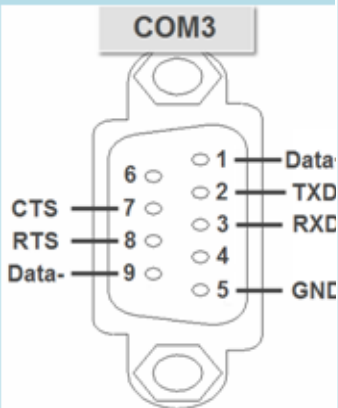
Data Bits – 5, 6, 7, 8

Parity – None, Even, Odd, Mark (Always 1), Space (Always 0)

Stop Bits – 1, 2

FIFO – 16 bytes

COM3



(RS-232/RS-485), for WP-8431, WP-8441, WP-8831 and WP-8841 only

Note: 16C550 compatible

Baud Rate – 115200, 57600, 38400, 19200, 9600, 4800, 2400, 1200 bps

Data Bits – 5, 6, 7, 8

Parity – None, Even, Odd, Mark (Always 1), Space (Always 0)

VGA & Communication Ports

Stop Bits – 1, 2

FIFO – 16 bytes

Tips & Warnings



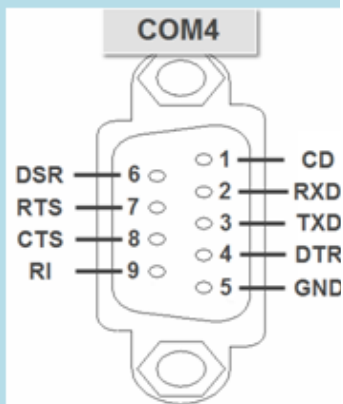
COM3 can be configured as either RS-232 or RS-485, that only can select one at a time and its configuration depends on the pin connections as follows:

RS-232 (RXD, TXD, CTS, RTS and GND)

RS-485 (Data+ and Data-)

There is no software configuration or hardware jumper needed.

COM4



(RS-232), for WP-8431, WP-8441, WP-8831 and WP-8841 only, Note: 16C550 compatible

Baud Rate – 115200, 57600, 38400, 19200, 9600, 4800, 2400, 1200 bps

Data Bits – 5, 6, 7, 8

Parity – None, Even, Odd, Mark (Always 1), Space (Always 0)

Stop Bits – 1, 2

FIFO – 16 bytes

I/O Expansion Slots

Slot Number

(supports high profile I-8K and I-87K modules)

WP-8131 and WP-8141: 1 Slot

WP-8431/WP-8441: 4 Slots

WP8831/WP-8841: 8 Slots

Hot Plug (will be available)

(supports high profile I-87K modules only)

I/O Module Hot Swap Ability

Dimensions

WP-8131/WP-8141	95 x 132 x 111 mm
WP-8431/WP-8441	230 x 132 x 111 mm
WP-8831/WP-8841	354 x 132 x 111 mm

Operating Environment

Operating Temperature	-25°C ~ +75°C
Storage Temperature	-30°C ~ +80°C
Humidity	10 ~ 90%, Non-condensing

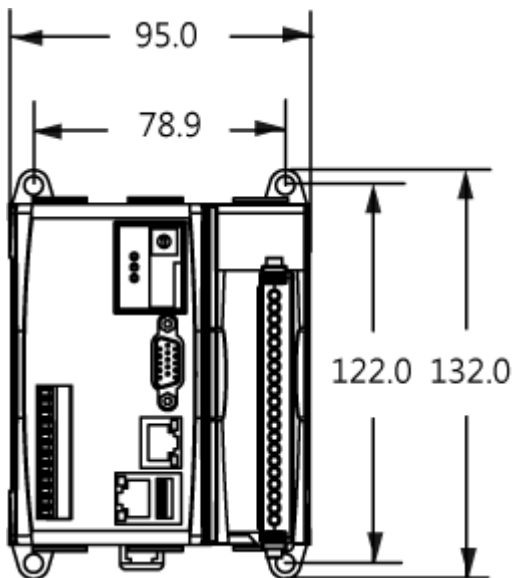
1.3. Dimensions

There are several series of WinPAC modules whose overviews depended on the quantity of the slot.

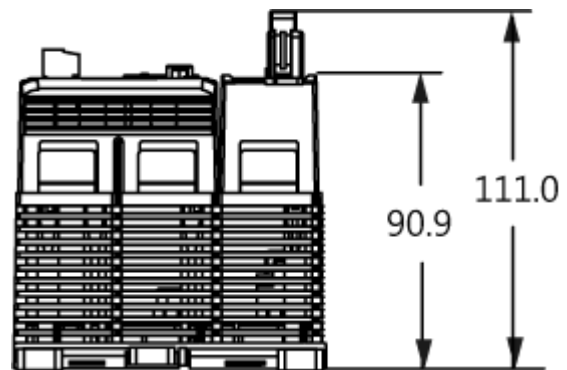
All dimensions in millimeter.

1 Slot

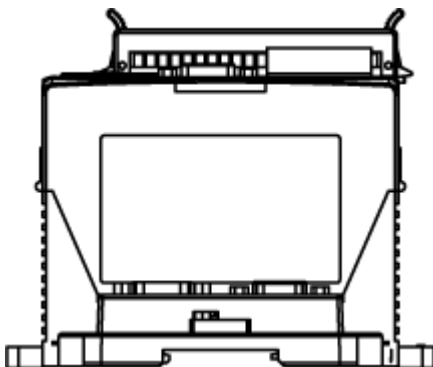
Top View



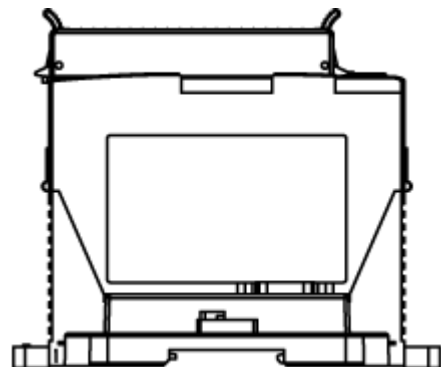
Front View



Right Side View

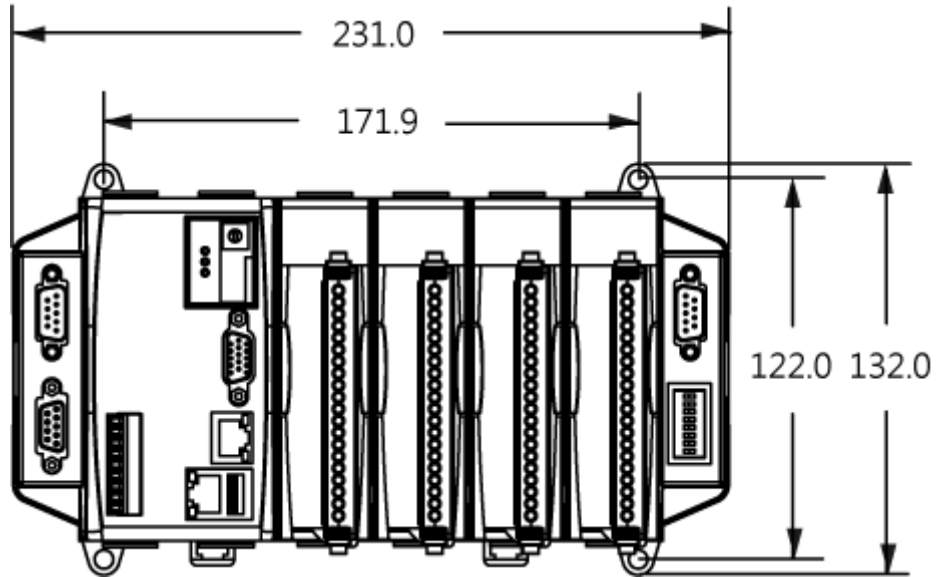


Left Side View

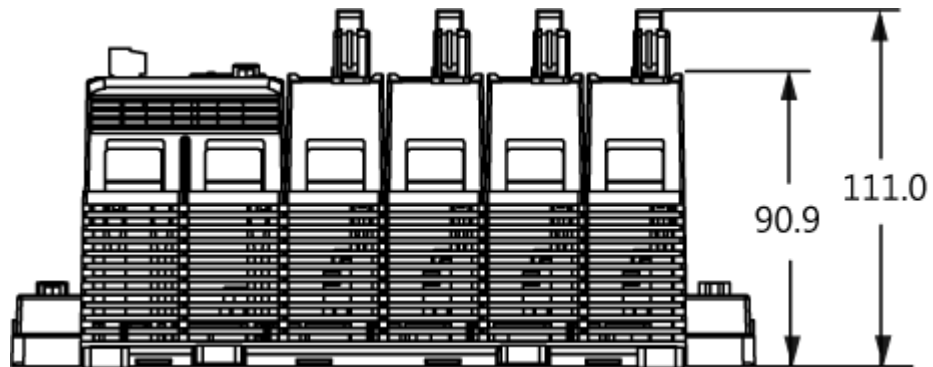


4 Slots

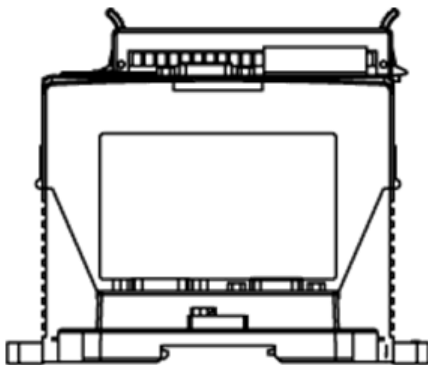
Top View



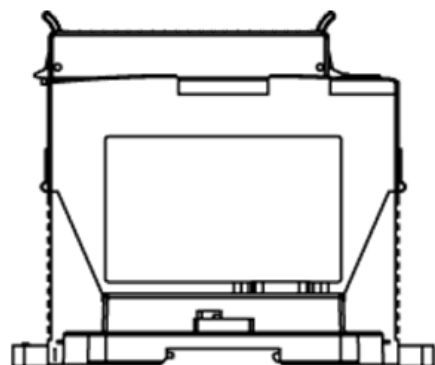
Front View



Right Side View

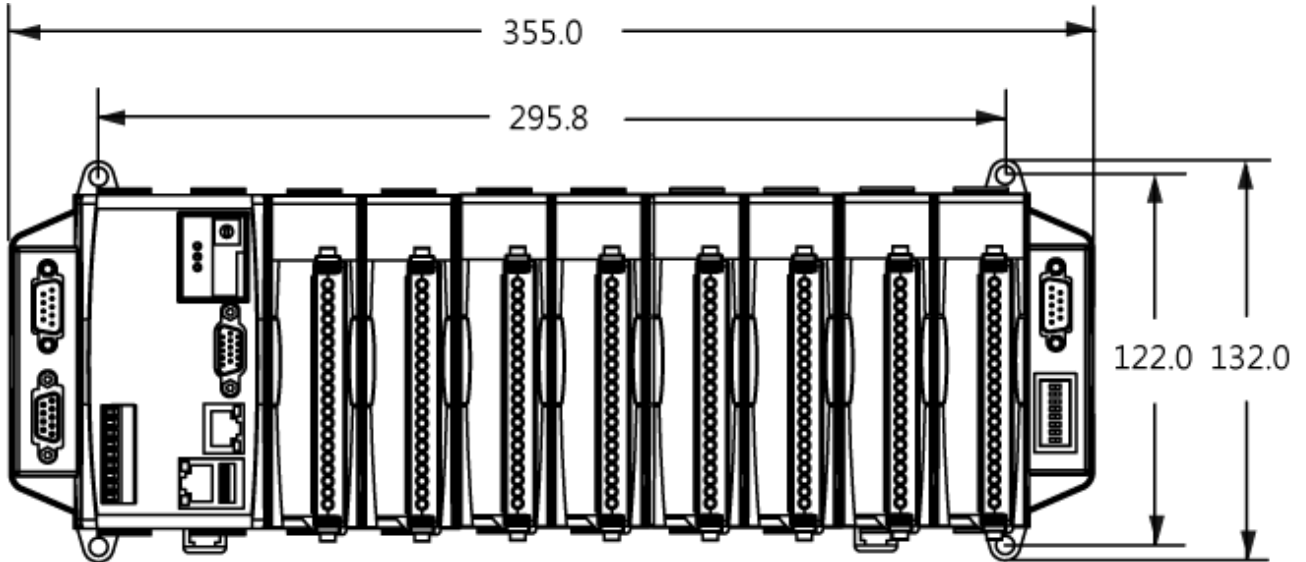


Left Side View

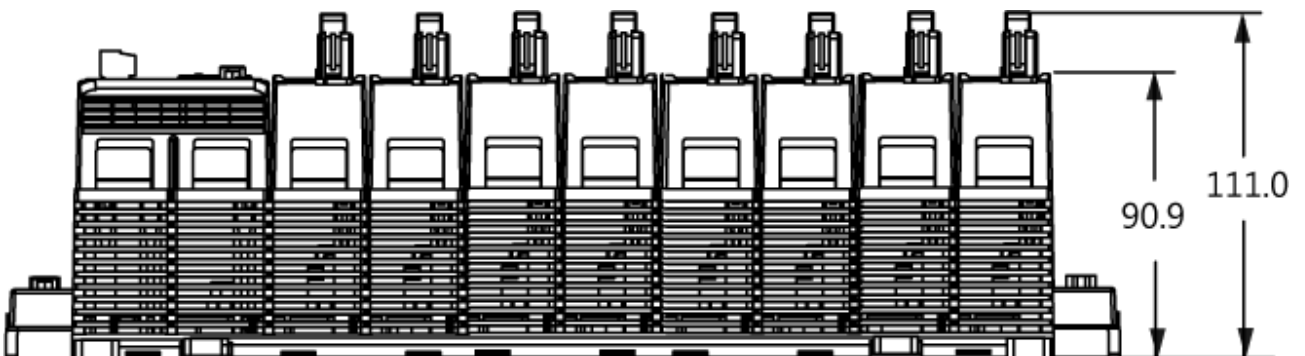


8 Slots

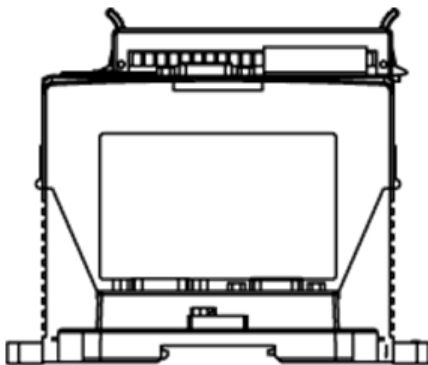
Top View



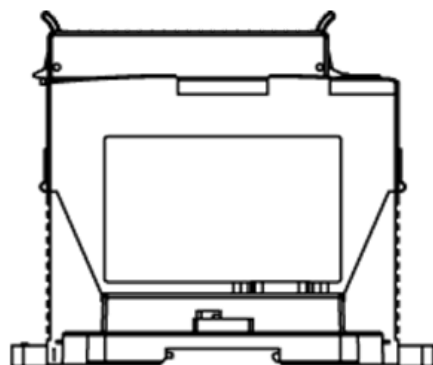
Front View



Right Side View



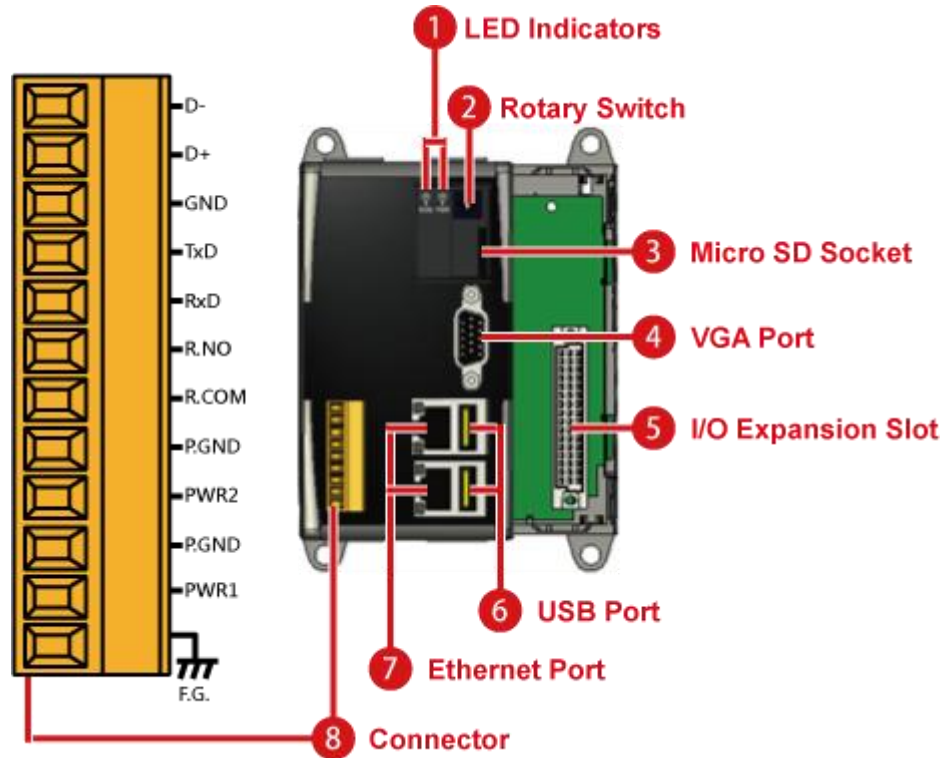
Left Side View



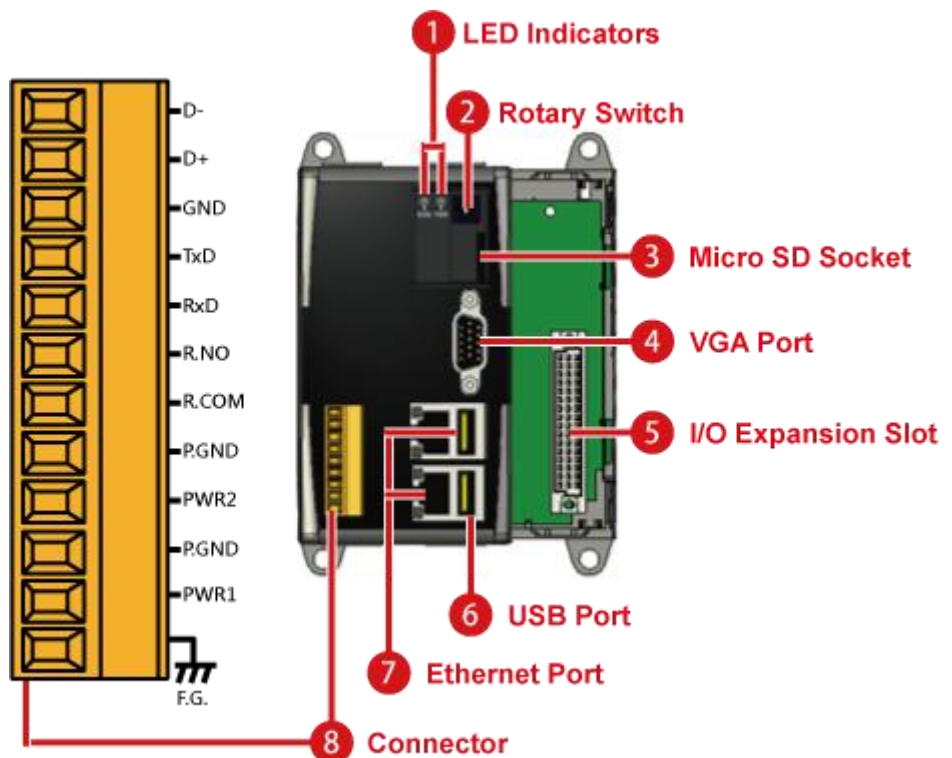
1.4. Overview

The WinPAC contains several interfaces and peripherals that can be integrated with external systems. Here is an overview of the components and its descriptions. The details of these items are as follows:

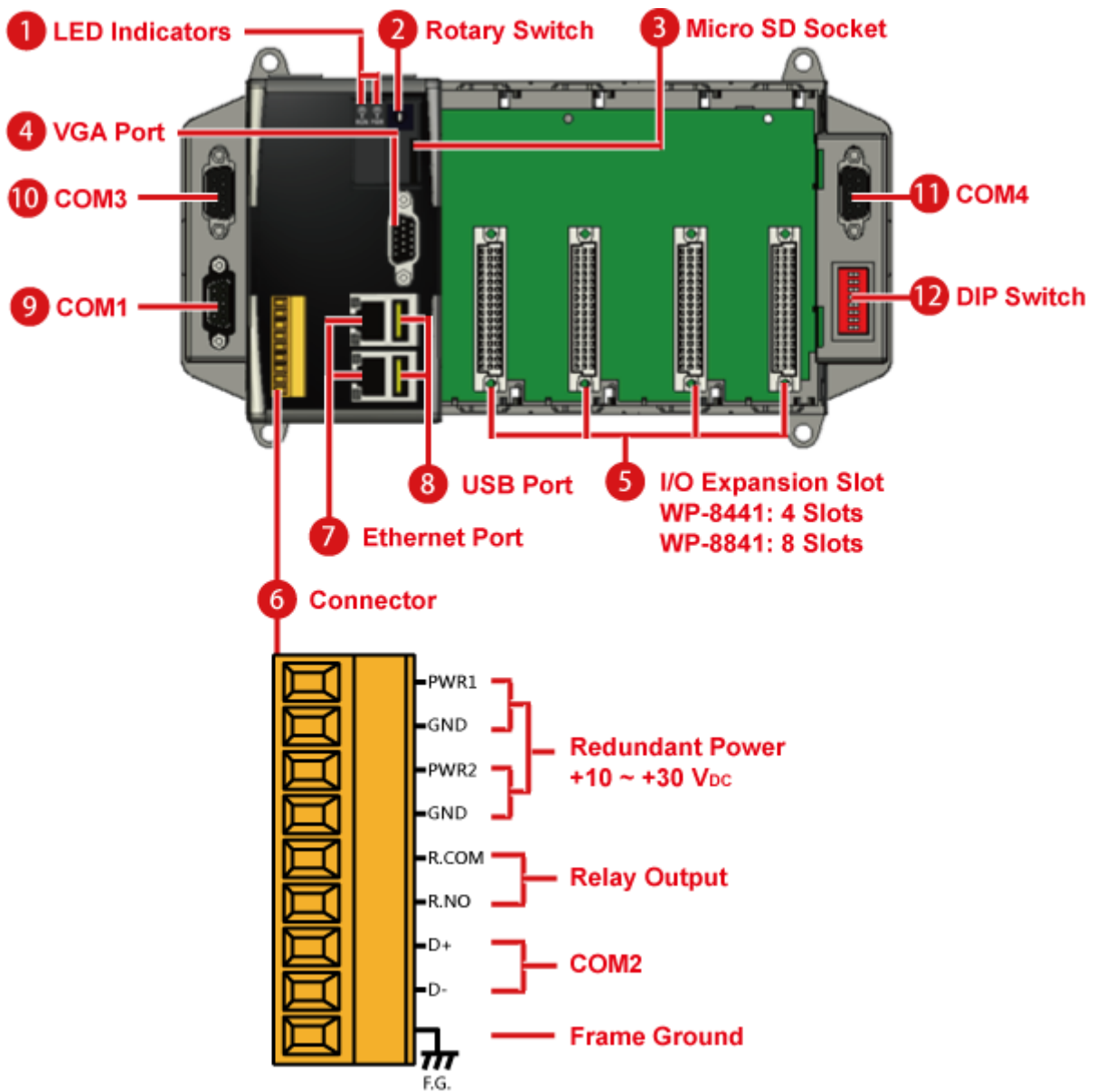
WP-8431



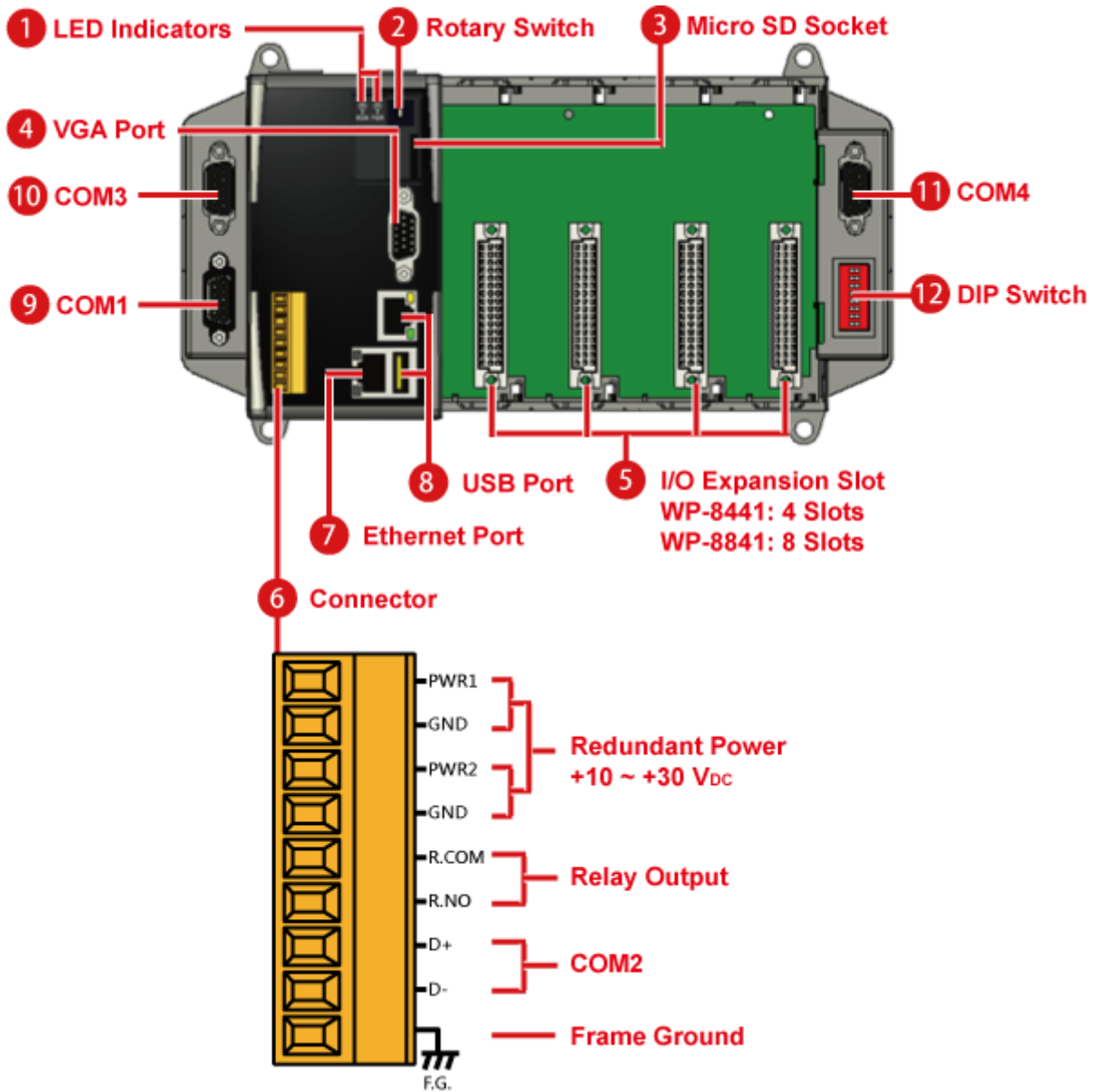
WP-8441



WP-8431/WP-8831



WP-8441/WP-8841





1. LED Indicators

The WinPAC has two LED indicators that are located near the rotary switch and show the operation status.

LED Indicator	State (Color)	Meaning
RUN	ON (Red)	The OS is ON
	Blinking	The System_disk formatted or defragmented
PWR	ON (Green)	The Power is ON
	OFF	The Power is OFF

2. Rotary Switch

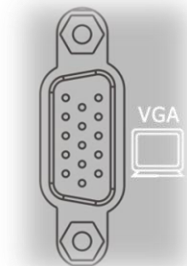


The Rotary Switch is an operating mode selector switch which provides seven functions related to the selection of the operating mode and authorization control for the WinPAC.

For more information about the operating mode, please refer to “section 2.3. Configuring the Boot Mode”

3. Micro SD Socket

There is a Micro SD expansion slot which is used to increase memory capacity just in case 16 GB.



4. VGA Connector

The VGA connector is a 3-row 15-pin connector that can be used to connect a monitor at a variety of supported VGA resolutions. These resolutions range from 640 x 400 to 1280 x 1024 px.

5. I/O Expansion Slot

The WinPAC includes some additional I/O slots that can be used for expansion purposes. The number of expansion I/O slots for each model is as follows:





















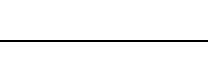


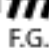
WP-8141/WP-8131: 1 I/O slot

WP-8441/WP-8341: 4 I/O slots

WP-8841/WP-8831: 8 I/O slots

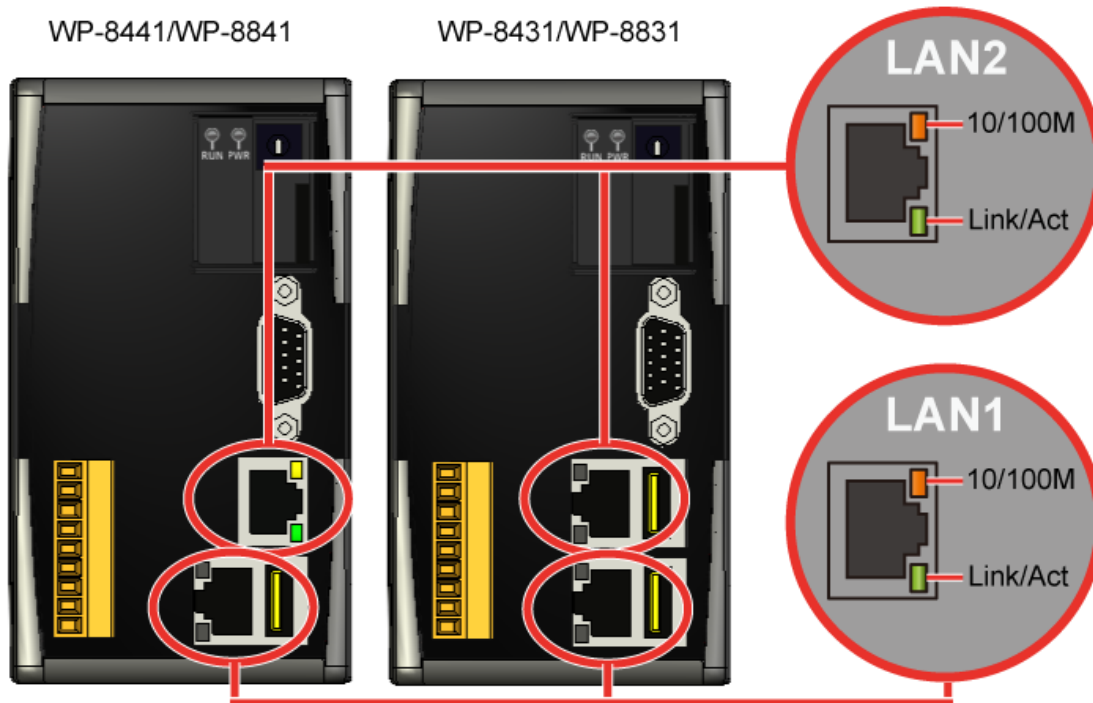
6. Connector

The connector has 10 pins and the pin assignments are as follows:

WP-8131/WP-8141		WP-8431/WP-8441/WP-8831/WP-8841	
Signal	Description	Signal	Description
	D-		PWR1
	D+		GND
	GND		PWR2
	TxD		GND
	RxD		R.COM
	R.NO		R.NO
	R.COM		D+
	P.GND		D-
	PWR2		F.G. 
	P.GND		
	PWR1		
	F.G. 		

7. Ethernet Port (LAN1/LAN2)

The WinPAC contains two Ethernet ports for use with network devices, and are denoted as LAN1 and LAN2.

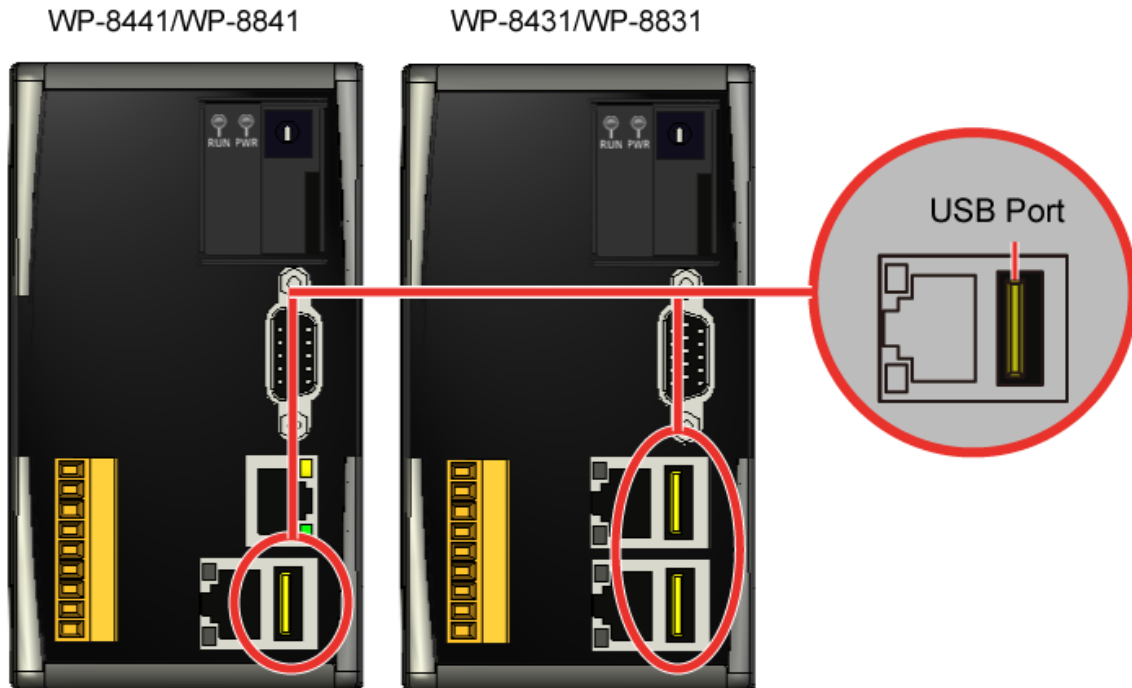


Each Ethernet port has two LED indicators, which are used to indicate the network speed and Link/Acting, as described below.

LED Indicator	State (Color)	Meaning
10/100M	ON (Orange)	Network Speed: 100 MB
	OFF	Network Speed: 10 MB
Link/Act	ON (Green)	The Link is active
	OFF	The Link is inactive
	Blinking(Green)	Network activity

8. USB Port

The WinPAC contains 1/2 USB port(s) that allow support for USB devices such as mouse, keyboard or an external USB hard drive.



9. COM1

Port Type: Female

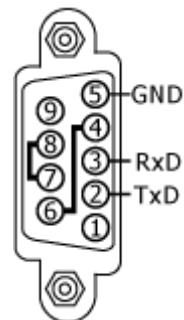
Baud Rate: 115200, 57600, 38400, 19200, 9600,
4800, 2400, 1200 bps

Data Bits: 7, 8

Parity: None, Even, Odd

Stop Bits: 1

FIFO: 1 byte



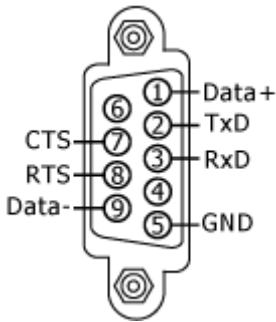
10. COM3 (RS-232/RS-485)

Port Type: Male

Baud Rate: 115200, 57600, 38400, 19200, 9600, 4800, 2400, 1200 bps

Data Bits: 5, 6, 7, 8

Parity: None, Even, Odd, Mark (Always 1), Space (Always 0)



COM3 can be configured as either RS-232 or RS-485, but only one mode can be selected at a time and the configuration depends on the pin connections as described below.

RS-232 (RXD, TXD, CTS, RTS and GND)

RS-485 (Data+ and Data-)

No software configuration or hardware jumpers are needed.

11. COM4 (RS-232)

Port Type: Male

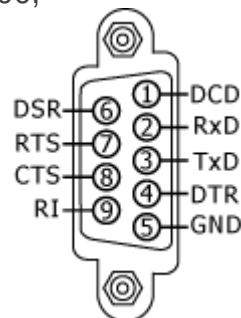
Baud Rate: 115200, 57600, 38400, 19200, 9600,
4800, 2400, 1200 bps

Data Bits: 5, 6, 7, 8

Parity: None, Even, Odd, Mark (Always 1),
Space (Always 0)

Stop Bits: 1, 2

FIFO: 16 bytes



Tips & Warnings

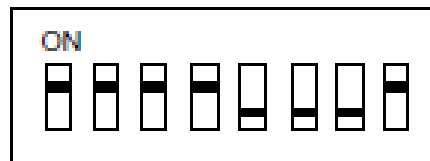


The table below shows the data bit of each COM port and their corresponding stop bit.

Word Length	Number of Stop Bits
5, 6, 7, 8	1
5	1.5
6, 7, 8	2

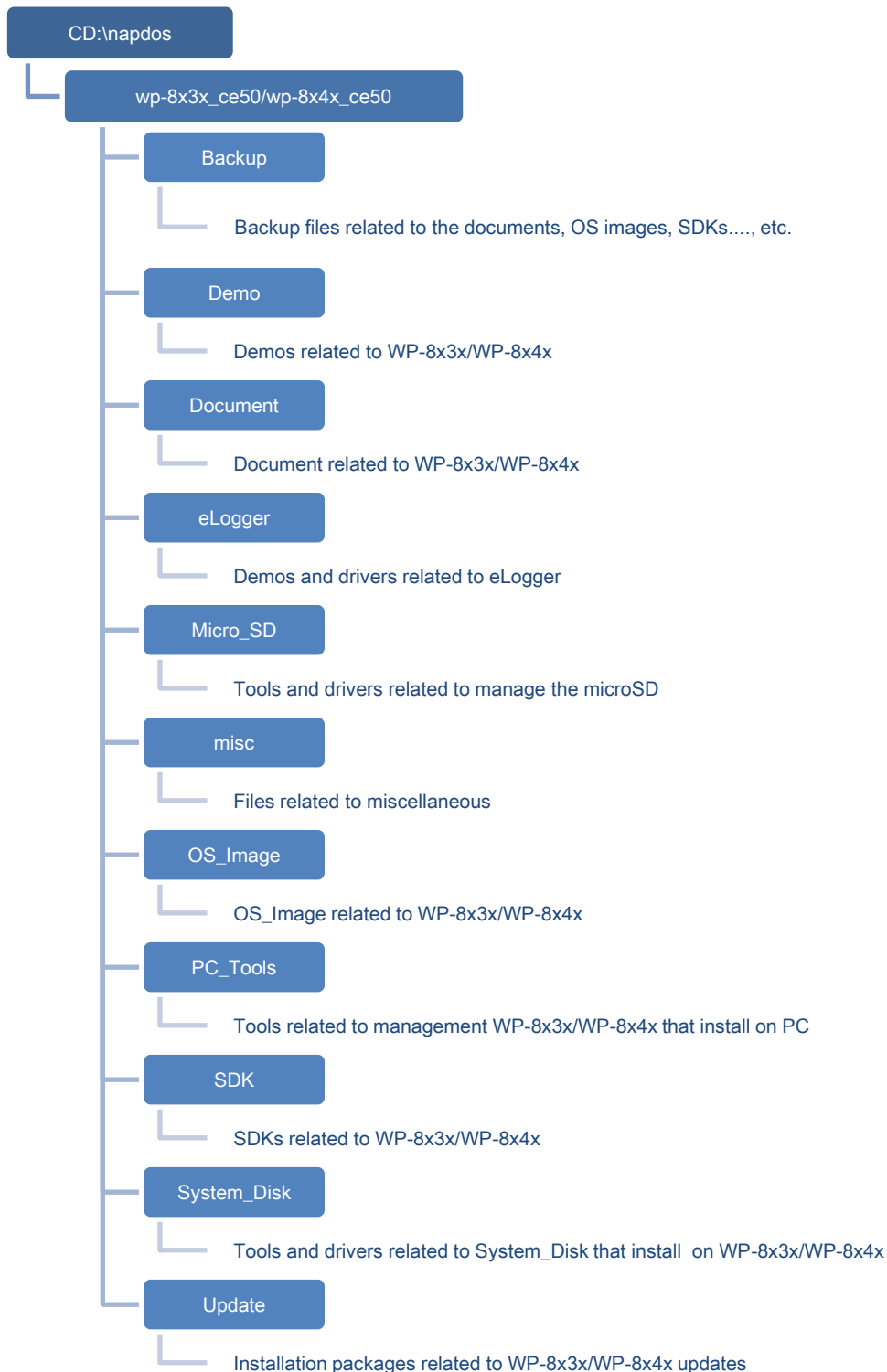
12. DIP Switch (8 bits)

The DIP switch can be used to set the Module ID to a number from 0 to 255. Do not use Module ID 0 for communication.



1.5. Companion CD

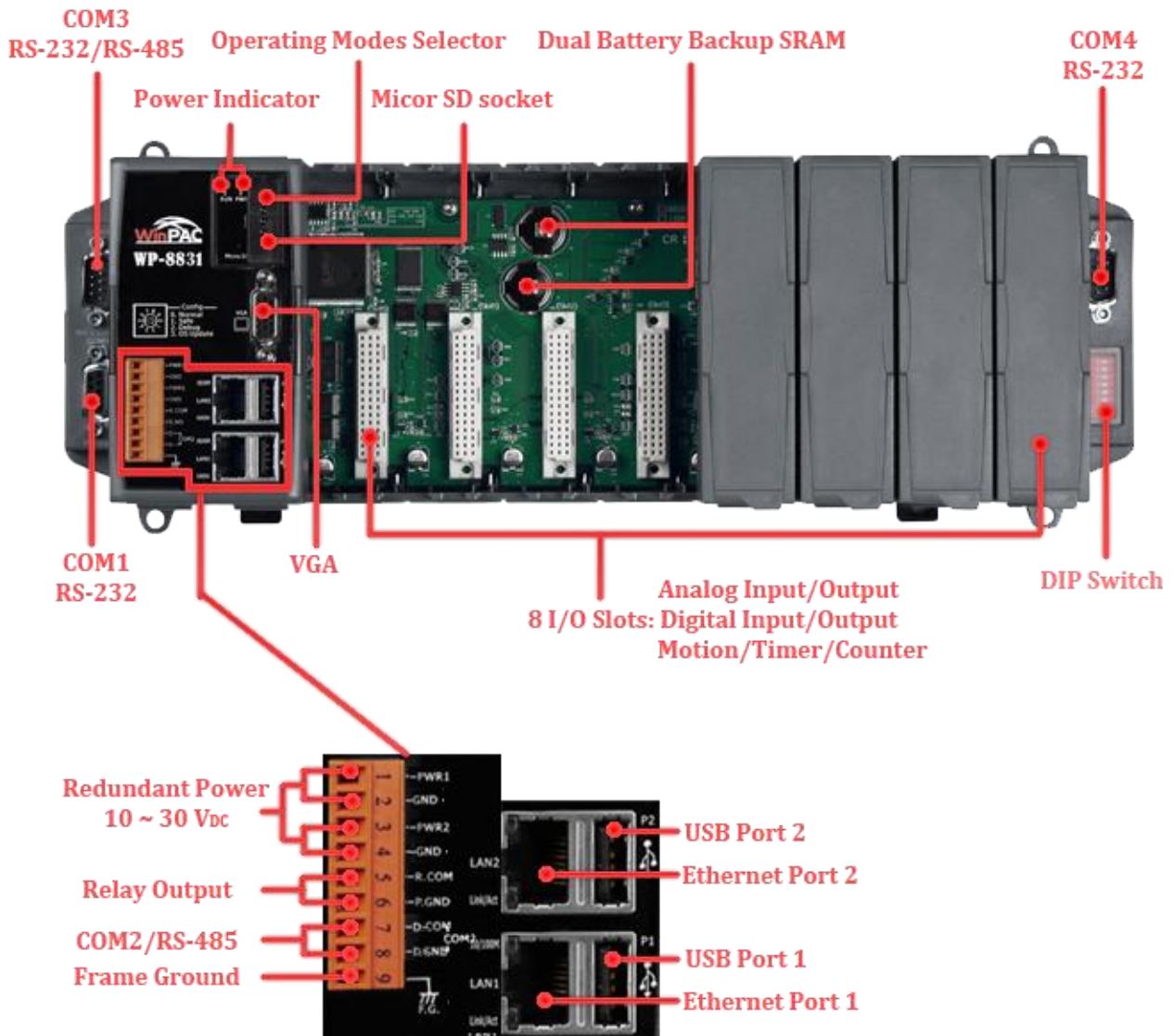
This package comes with a CD that provides drivers, software utility, all of the required documentations..., etc. All of them are listed below.

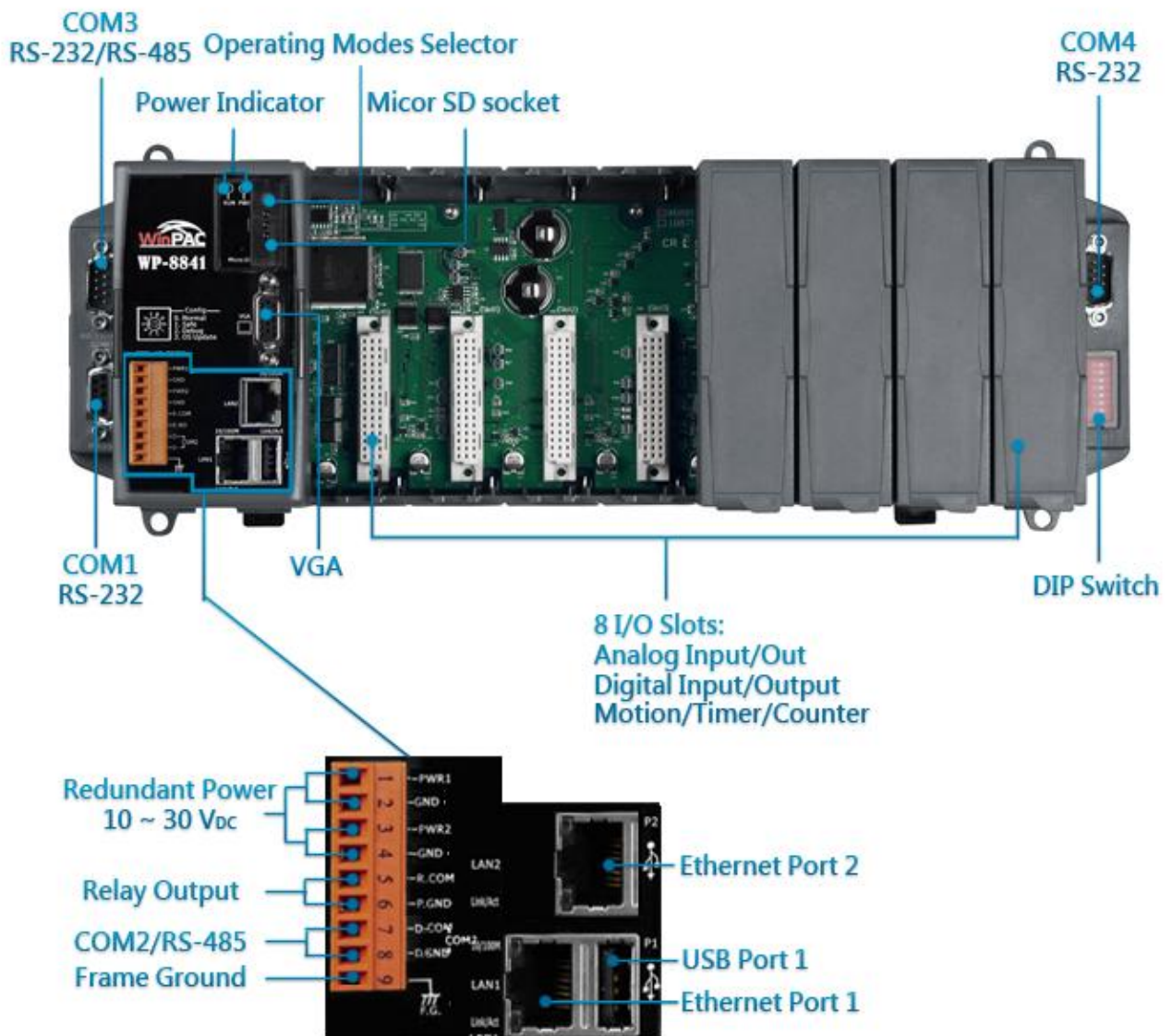


1.6. Comparison of WinPAC and WinCon

WP-8x3x/WP-8x4x

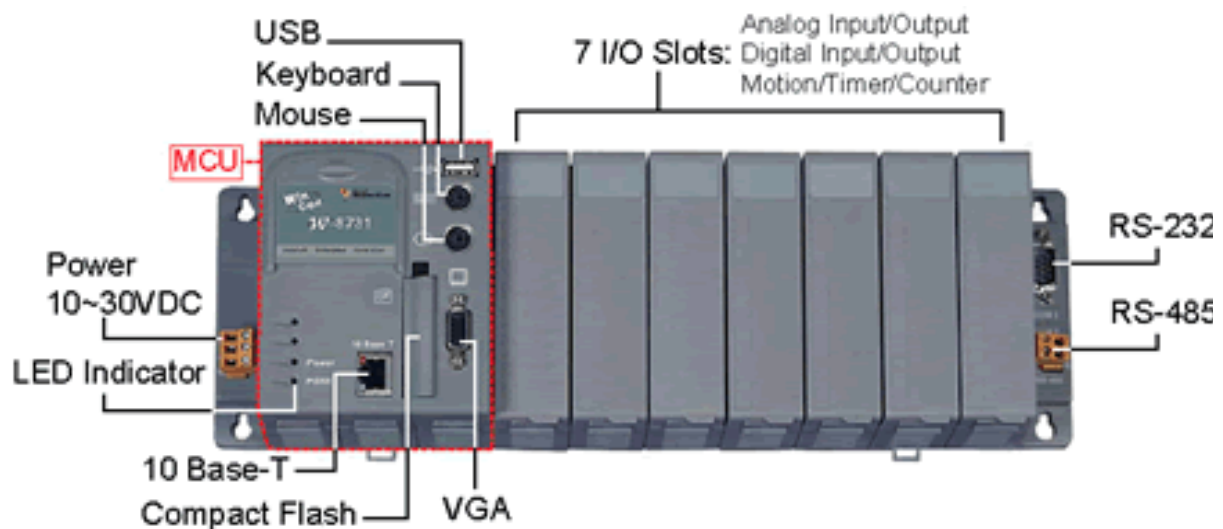
WP-8x3x/WP-8x4x is the second generation of PAC. It is equipped with various connections (VGA, USB, Ethernet, RS-232/485) and 1/4/8 slots for high performance parallel I/O modules (high profile I-8K series) and serial-type I/O modules (high profile I-87K I/O modules). Comparing to the first generation WinCon PAC, it not only improves the CPU performance (from 206 MHz to 520 MHz), but also add many reliability features.





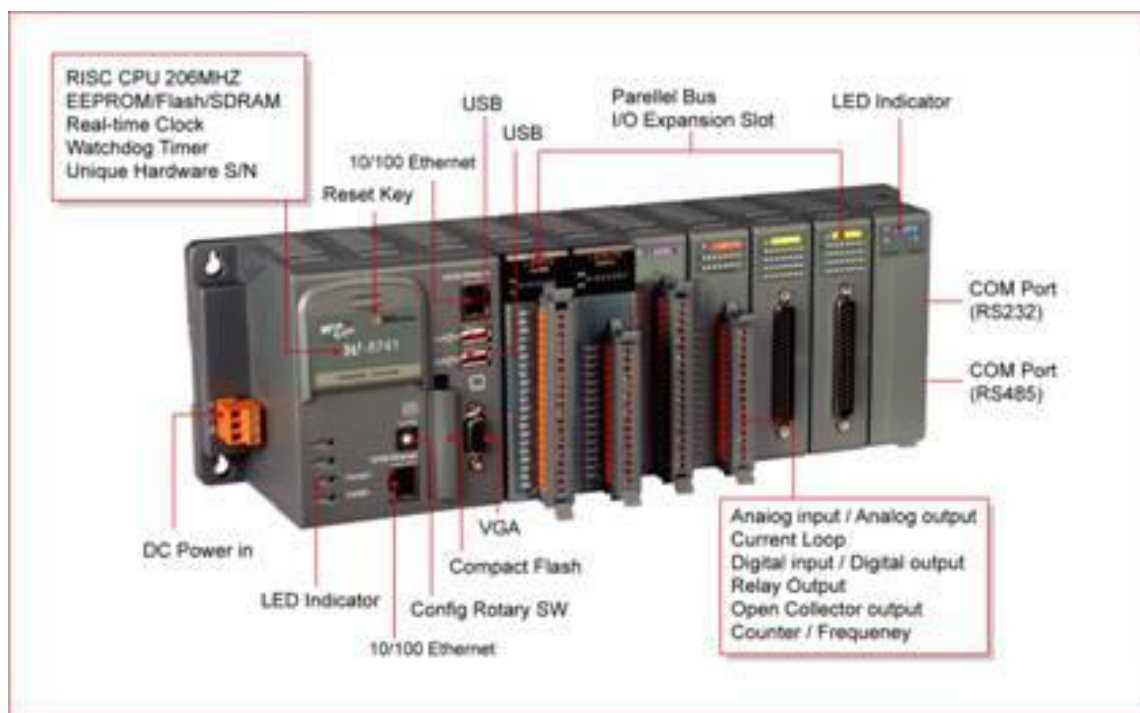
W-8x3x (Phased Out Since 2008)

W-8x3x is a PAC equipped with PC interface and 3/7 slots for I/O modules. Its PC-like interface includes: PS/2(keyboard and mouse), VGA port , USB port and RS-232/RS-485 communication ports. The powerful backplane(3/7 slots) can adopts versatile ICPDAS's high performance parallel (I-8K I/O modules) and serial-type I/O modules(I-87K I/O modules)



W-8x4x

WinCon-8x4x series embedded controllers are derived from existing WinCon-8x3x series. This evolution includes dual USB host ports to support more connectivity to USB I/O devices, dual Ethernet 10/100M ports to provide higher network performance, network security, and redundancy capability, and a rotate switch to configure your system and applications.



	WP-8x3x	WP-8x4x	W-8x3x	W-8x4x
OS	Windows CE 5.0	Windows CE 5.0	Windows CE 4.1	Windows CE 4.1
CPU	520 MHz	520 MHz	206 MHz	206 MHz
SDRAM	128 MB	128 MB	64 MB	64 MB
Dual Battery Backup SRAM	512 KB	512 KB	-	-
Flash	128 MB (64 MB for OS image, 63 MB for built-in Flash disk, 1 MB for registry)	96 MB (64 MB for OS image, 31 MB for built-in Flash disk, 1 MB for registry)	32 MB (for OS image only)	32 MB (for OS image only)

	WP-8x3x	WP-8x4x	W-8x3x	W-8x4x
EEPROM	16 KB	16 KB	16 KB	16 KB
Expansion Memory Slot	Micro SD slot (Default=1GB)	Micro SD slot (Default=1GB)	Compact Flash type II (Default=1GB)	Compact Flash type II (Default=1GB)
Interface	USB1.1 x 2 VGA port x 1 (1024 x 768, 640 x 480, 800 x 600)	USB1.1 x 1 VGA port x 1 (640 x 480, 800 x 600)	USB1.1 x 1 PS/2 port x 2 (Keyboard and Mouse), port x 1 (320 x 240 ~ 1024 x 768)	USB1.1 x 2 VGA port x 1 (320 x 240 ~ 1024 x 768)
Ethernet Port	RJ45 x 2, 10/100 BaseTX	RJ45 x 2, 10/100 BaseTX	RJ45 x1, 10BaseT	RJ45 x 2, 10/100 BaseTX
COM0	For I-87K module in I/O slot	For I-87K module in I/O slot	-	-
COM1	RS-232	RS-232	For I-87K module in I/O slot	For I-87K module in I/O slot
COM2	RS-485	RS-485	RS-232	RS-232
COM3	RS-232/485	RS-232/485	RS-485	RS-485
COM4	RS-232	RS-232	-	-
I/O Expansion Slots	1/4/8	1/4/8	0/3/7	0/3/7
64-bit Hardware Serial Number	Yes	Yes	Yes	Yes
Push button	-	-	Yes (for Reset)	Yes (For Reset)
Programmable LED	1	1	-	-
Dual Watchdog Timer	Yes	Yes	Yes	Yes
Real Time Clock	Yes	Yes	Yes	Yes

	WP-8x3x	WP-8x4x	W-8x3x	W-8x4x
DIP Switch (8 bit)	Yes	Yes	-	-
Rotary Switch	Yes (0~9)	Yes (0~9)	-	Yes (0~F)

2. Getting Started

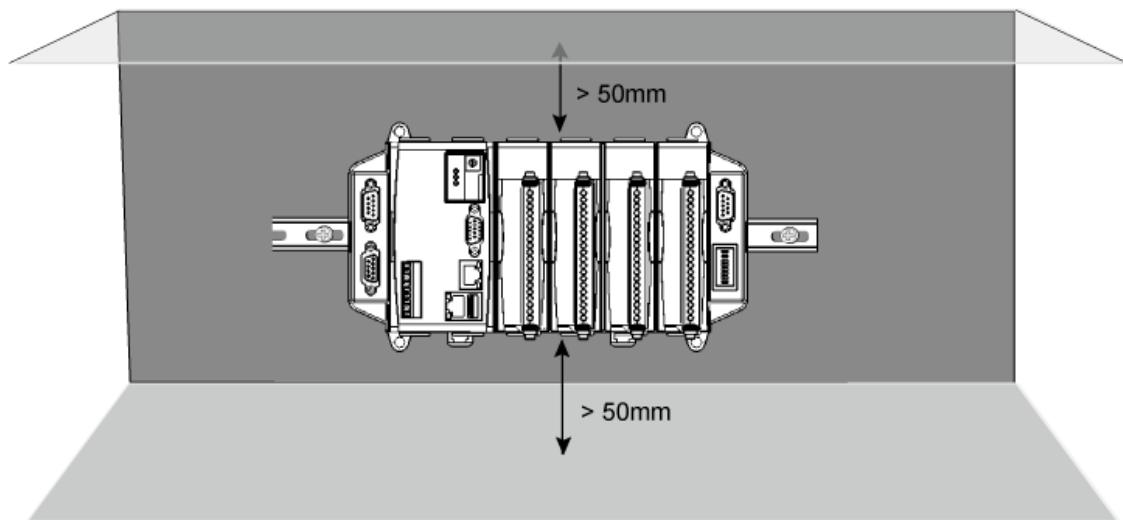
This chapter describes installation, basic configuration and fundamental operating principle needed to install and set up the WinPAC.

2.1. Mounting the Hardware

Step 1: Mounting the WinPAC

The WinPAC installation must provide proper ventilation, spacing, and grounding to ensure the equipment will operate as specified.

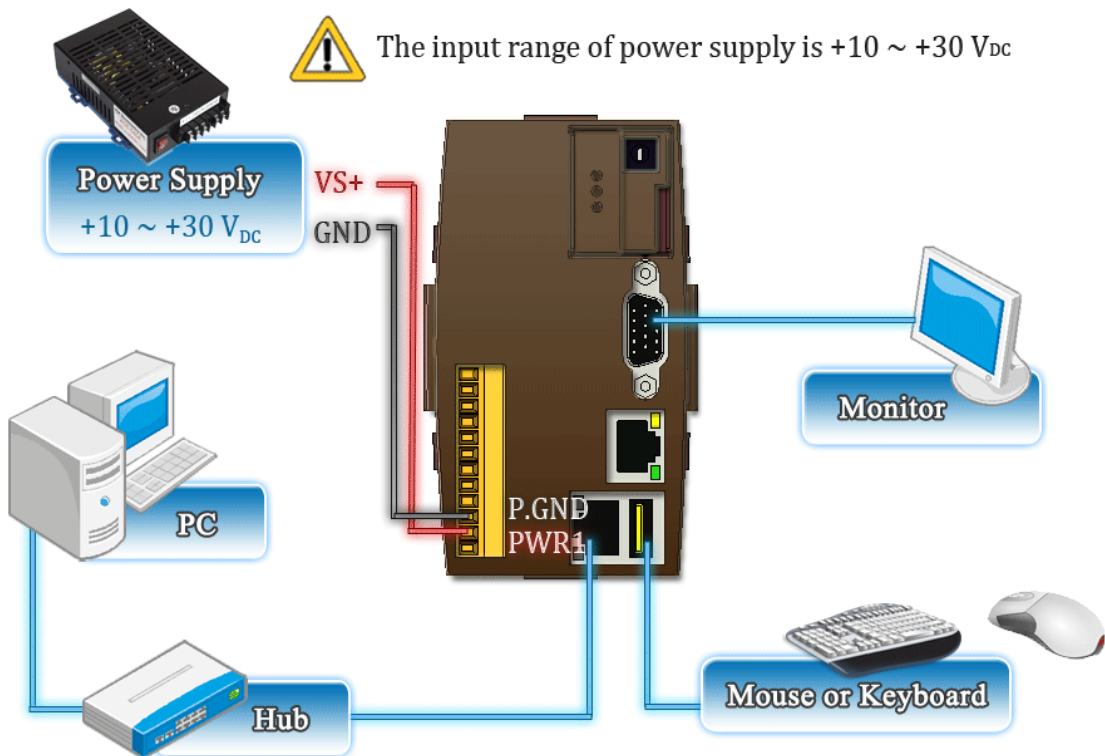
A minimum clearance of 50mm between the WinPAC and the top and bottom side of the enclosure panels must be provided.



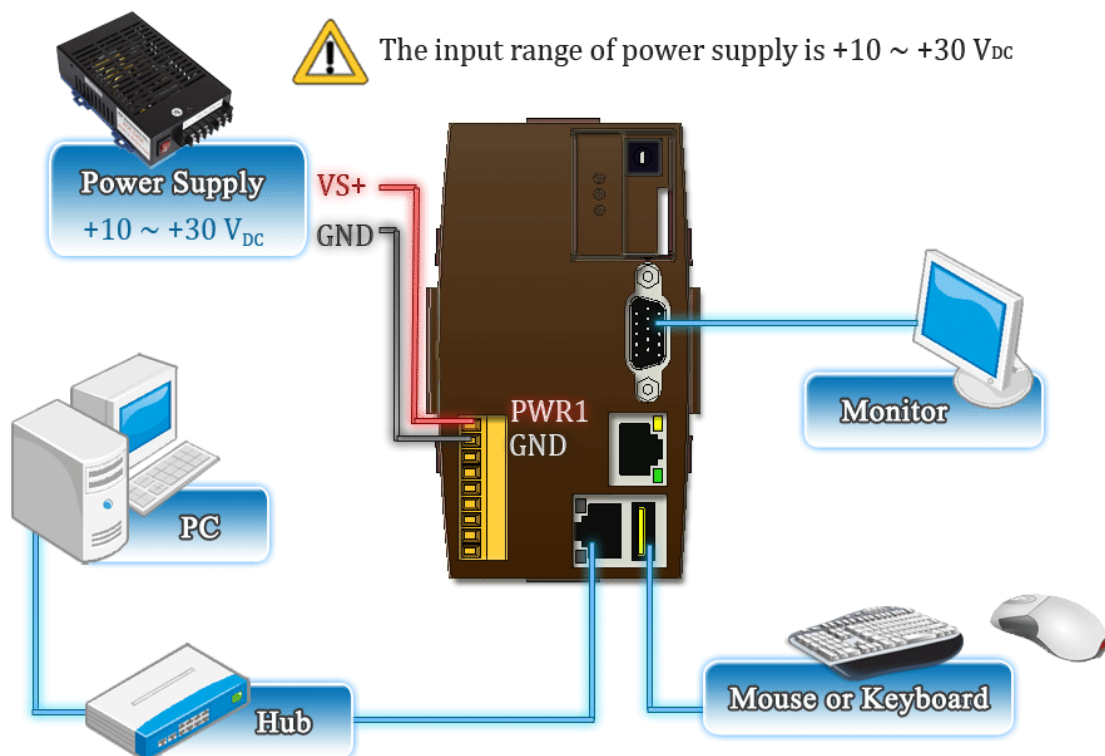
There is a minimum of 50mm clearance between the top and bottom edges of the WinPAC and the enclosure panels.

Step 2: Connecting power and I/O device

The diagram below shows the connections of the 1 slot of the WinPAC.



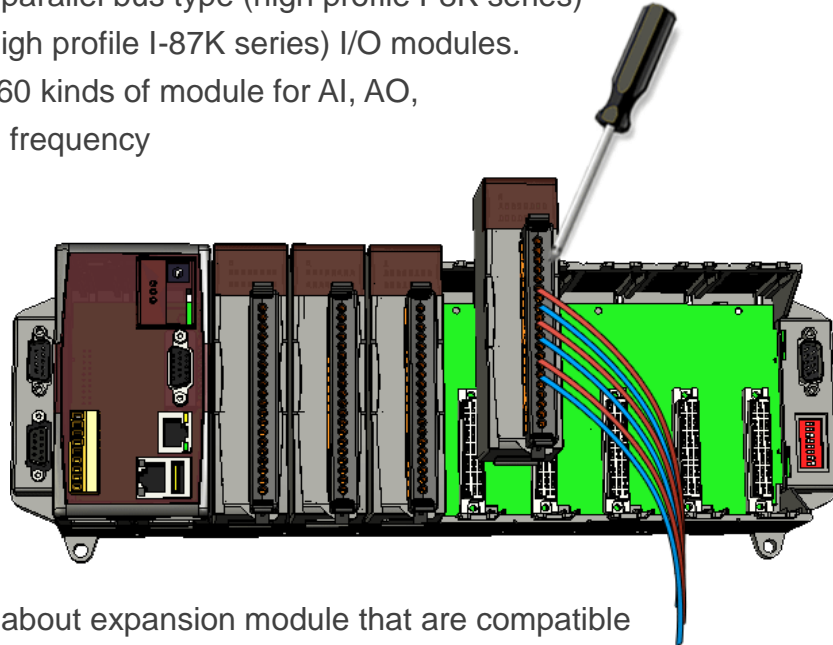
The diagram below shows the connections of 4/8 slots module of the WinPAC.



2.2. Inserting I/O Modules

The I/O slots support parallel bus type (high profile I-8K series) and serial bus type (high profile I-87K series) I/O modules.

There are more than 60 kinds of module for AI, AO, DI, AO, counter input, frequency input, PWM output, motion control, memory, communication, etc.



For more information about expansion module that are compatible with the WinPAC, please refer to

http://www.icpdas.com/products/PAC/winpac/io_support_list.htm

Tips & Warnings



It is recommended that the power to the WINPAC-8000 is switched off when wiring the I/O module which are plugging in the WINPAC-8000 slots.

Step 1: Read the relevant documentation



The documentation for I-8K series modules is located at:

CD:\ Napdos\io_module

http://www.icpdas.com/products/PAC/winpac/io_support_list.htm

The documentation for I-87K series modules is located at:

CD:\ Napdos\io_module

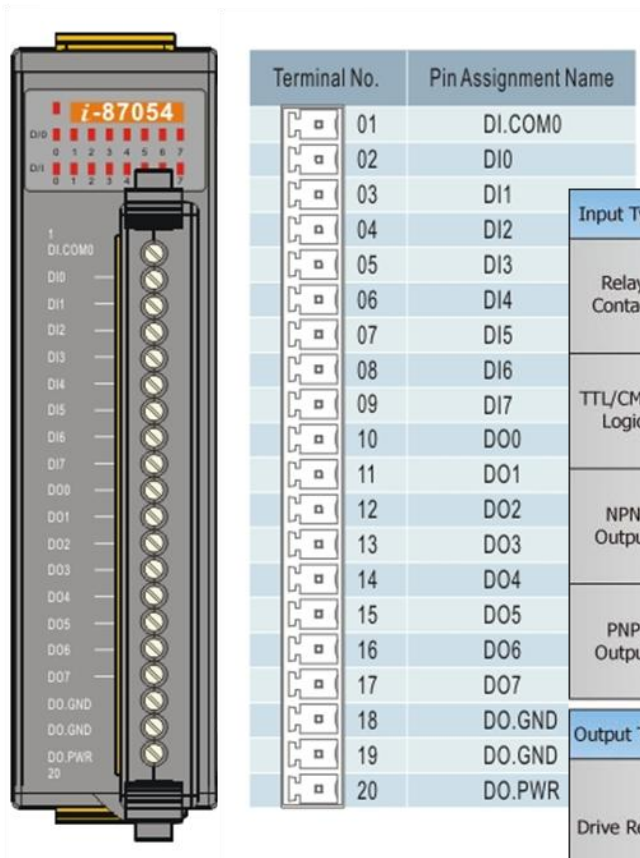
http://www.icpdas.com/products/PAC/winpac/io_support_list.htm

Step 2: Wiring Connections

All documents include the I/O module specifications, pin assignments and wiring connections.

For example, Pin Assignments and Wiring connections for the I-87054W module are as follows:

Pin Assignments




Wire Connection

Input Type	ON State LED ON Readback as 1	OFF State LED OFF Readback as 0
Relay Contact	Relay ON 	Relay Off
	Voltage < 1V 	Voltage > 3.5V
NPN Output	Open Collector On 	Open Collector Off
	PNP Output 	Open Collector Off
Output Type	ON State LED ON Readback as 1	OFF State LED OFF Readback as 0
Drive Relay	Relay ON 	Relay Off
	Resistance Load 	Resistance Load

2.3. Configuring the Boot Mode

The WinPAC has five operating modes that can be determined through a rotary switch.

The table below lists the operation mode selection.

	Rotary switch position	Modes of operation
	0	Normal mode (Default)
	1	Safe mode
	2	Debug mode
	3	OS update mode
	4	Development mode
	5	DCON_CE
	6	VCEP
	7 ~ 9	(For user)

Normal mode (Default)

Normal mode is the default mode of operation and the one you will use most of the time. Use this mode for more tasks and configurations. Programs also are executed in this mode.

Safe mode

Safe mode is a trouble shooting. The mode loads the minimum required device drivers and system services to boot the WinPAC.

If you have malicious software or a program caused the WinPAC cannot be boot or run the normal mode, you can boot in safe mode to solve the problem.

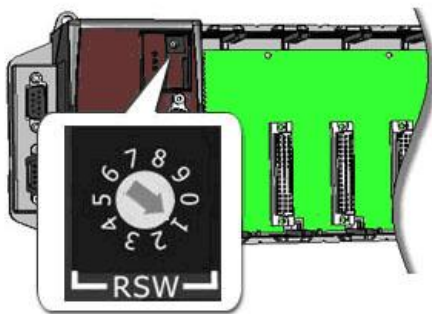
Tips & Warnings



In normal mode, if the new settings are not saved when you change and save the settings using the WinPAC Utility, to solve this problem, perform the following steps:

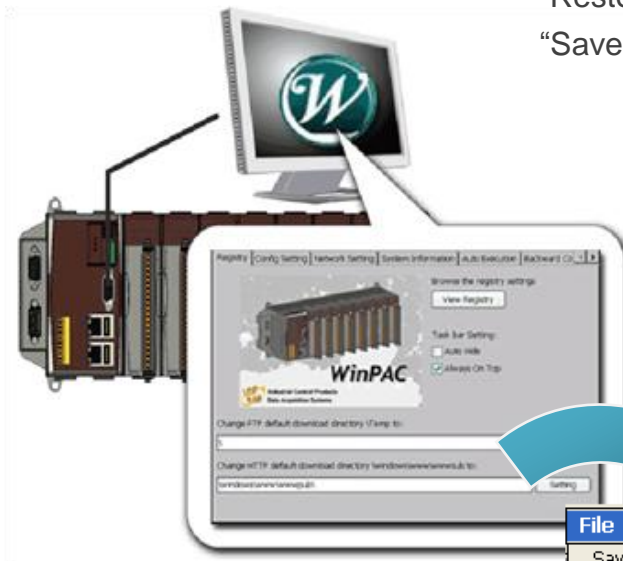
Step 1: Restart the WinPAC in safe mode

Turn the rotary switch to “1”, and then restart the WinPAC.



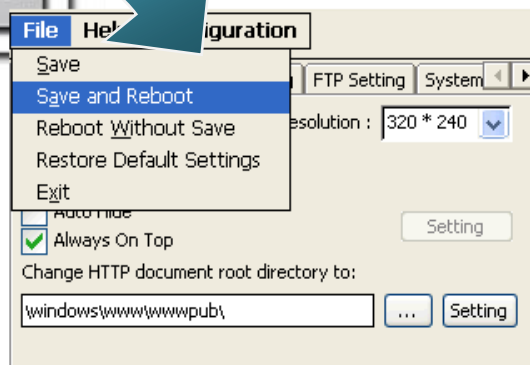
Step 2: Start the WinPAC Utility to restore the default settings

Start the WinPAC Utility, and then click the “Restore Default Settings” command and “Save” command from the “File” menu



Step 3: Restart the WinPAC in normal mode

Turn the rotary switch to “0”, and then restart the WinPAC.



Debug mode

Debug mode is a special environment in which program debug functions can be used in addition to normal system functions.

Debug mode is unsupported.

OS Update mode

OS update mode is a way used to update OS. To update the WinPAC OS image, please refer to “6.1. OS updates”

DCON_CE mode

This mode is the same as Normal mode. Besides, DCON_CE.exe will be run automatically after booting

Tips & Warnings



DCON_CE.exe must be placed on the
\System_Disk\Tools\DCON_CE, or else DCON_CE.exe cannot be
run automatically after booting.

VCEP mode

This mode is the same as Normal mode. Besides, VCEP.exe will be run automatically after booting.

Tips & Warnings



VCEP.exe must be placed on the \System_Disk\Tools\VCEP or
else VCEP.exe cannot be run automatically after booting.

User mode

Rotary switch position 7, 8, 9 are reserved for user's applications.

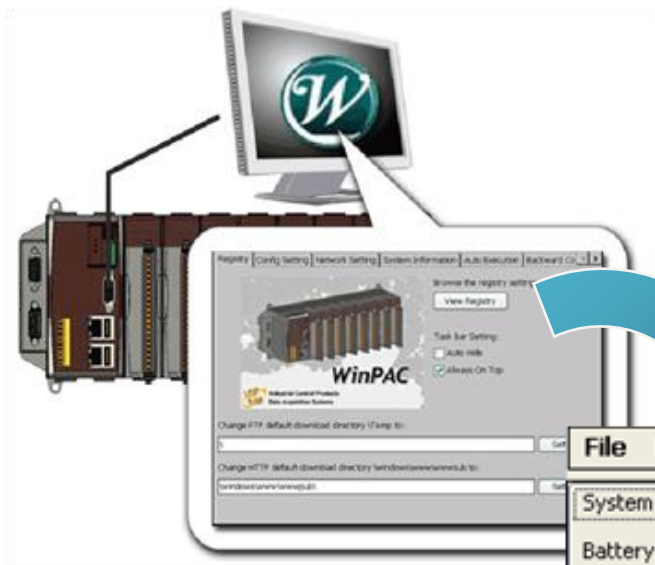
When WinPAC is boot with one of these rotary switch positions, it is boot at normal mode. User's application can check the rotary switch position to run at different mode.

2.4. Using WinPAC Utility to manage the WinPAC

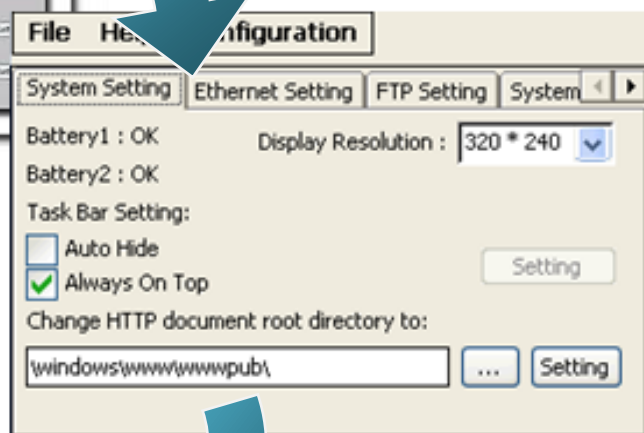
The WinPAC Utility is a toolkit used to quickly control and configure the WinPAC.

For more detailed information on WinPAC Utility applications, please refer to “3.5. WinPAC Utility”

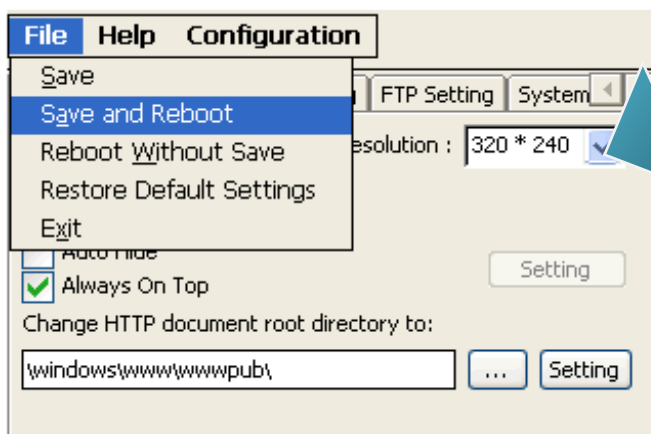
Step 1: Run the WinPAC Utility located on desktop



Step 2: Configure IP address (DHCP), FTP Server, Auto Execution files..., etc



Step 3: Save and Reboot the WinPAC



2.5. Using DCON Utility to Configure I/O Modules

DCON Utility is a tool kit used to quickly control and manage I-87K series expansion I/O modules.

Step 1: Run the DCON firmware on the WinPAC

The DCON firmware is located at:
\\System_Disk\tools\DCON_CE\

Step 2: Run the DCON Utility on the host PC

The DCON Utility can be obtained from:

- For WP-8x3x series

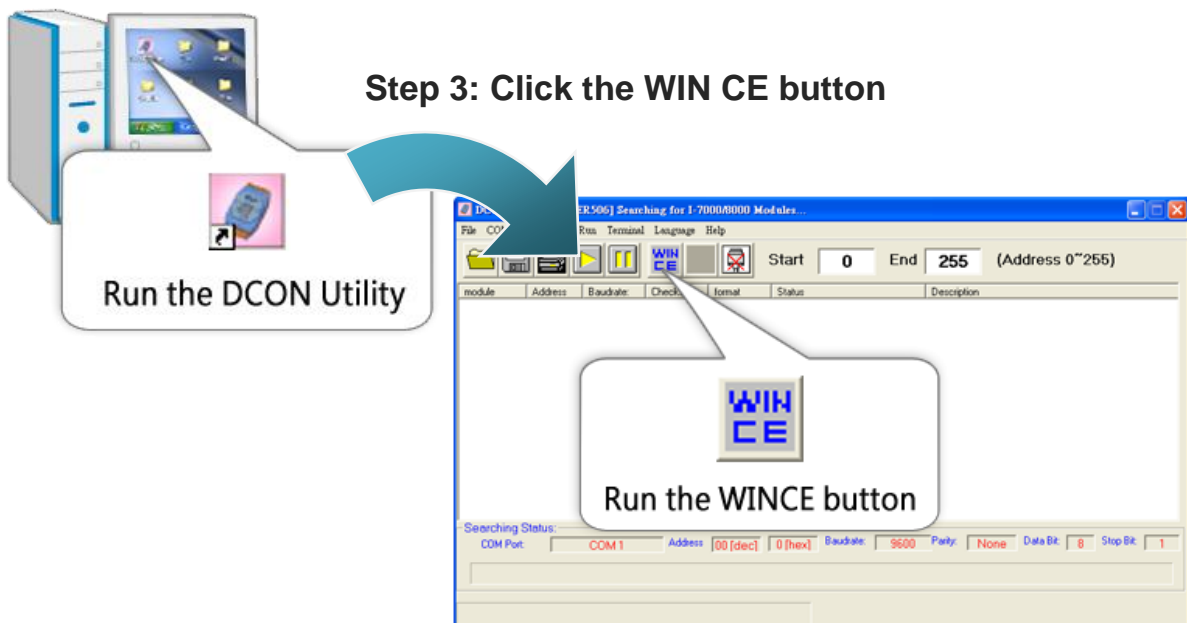
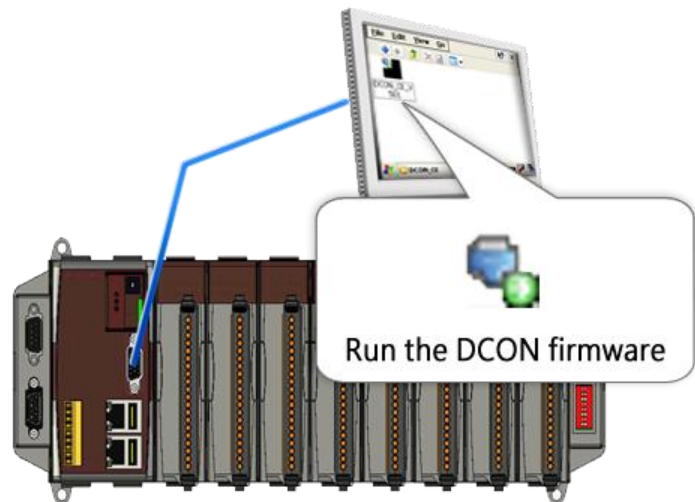
CD:\Napdos\wp-8x3x_ce50\PC_Tools\DCON_UTILITY\

http://ftp.icpdas.com/pub/cd/winpac/napdos/wp-8x3x_ce50/pc_tools/dcon_utility/

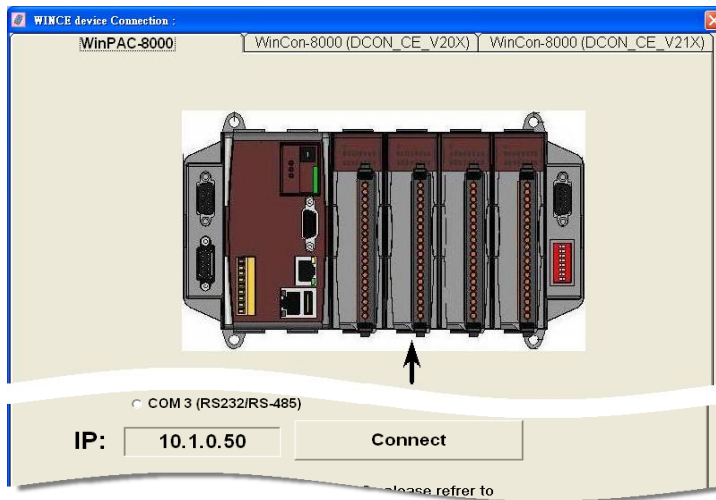
- For WP-8x4x series

CD:\Napdos\wp-8x4x_ce50\PC_Tools\DCON_UTILITY\

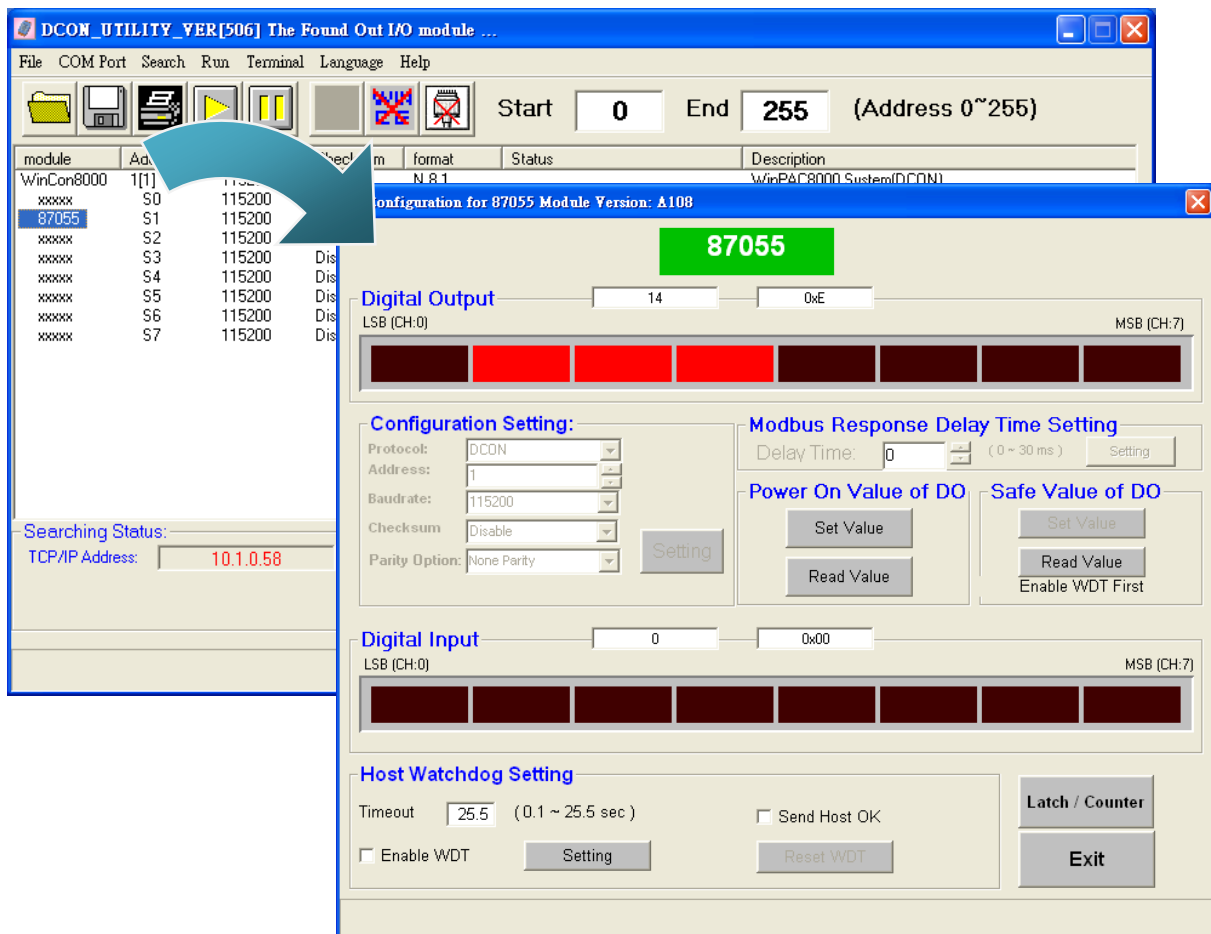
http://ftp.icpdas.com/pub/cd/winpac/napdos/wp-8x4x_ce50/pc_tools/dcon_utility/



Step 4: Enter the IP address of the WinPAC to search the I-87K series expansion I/O modules



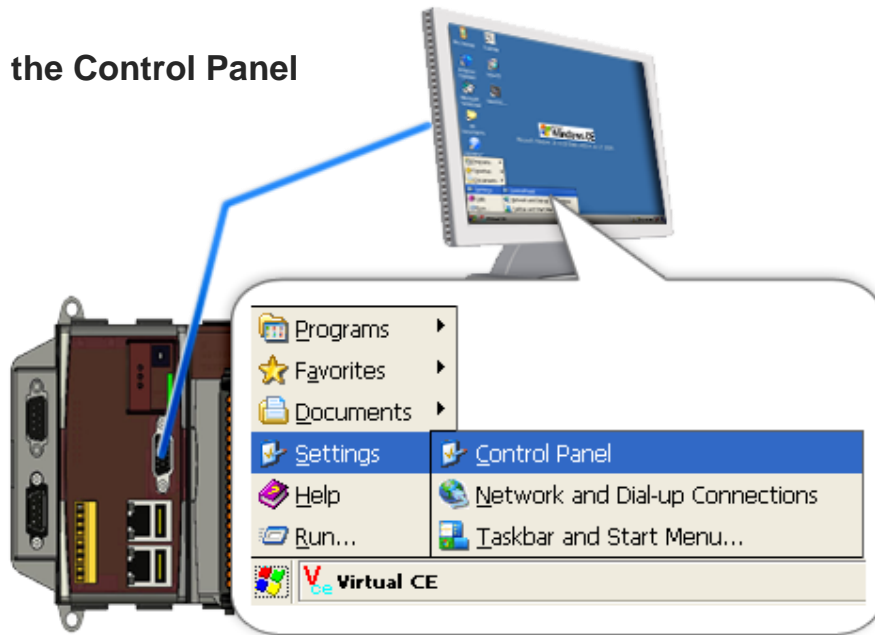
Step 5: Select the module name that you want to configure



2.6. Changing the User Interface Language

The WinPAC is a Windows CE-based operating system which provides multilingual user interface and the user interface can be set to one of multi languages.

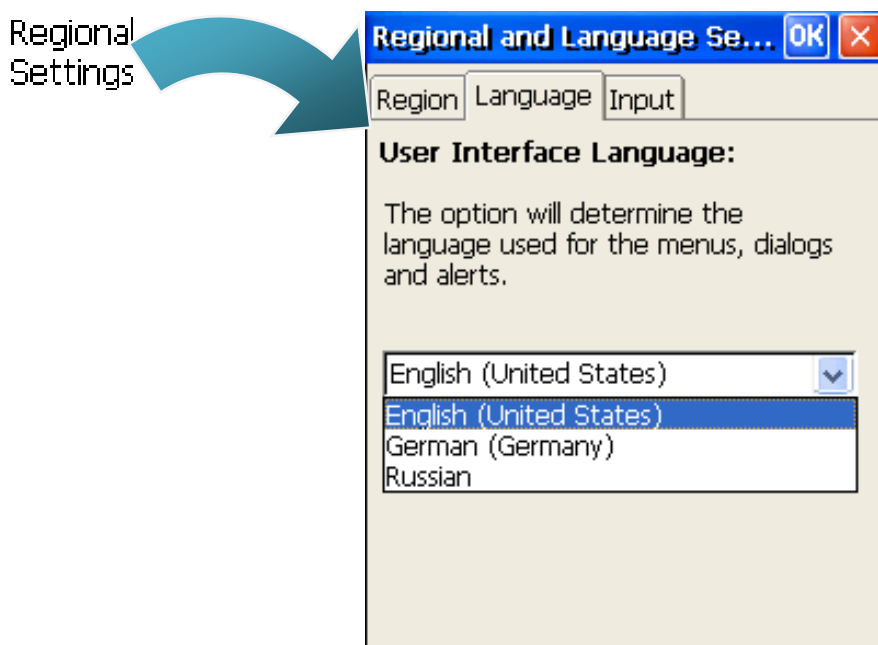
Step 1: Open the Control Panel



Step 2: Run the Regional Settings



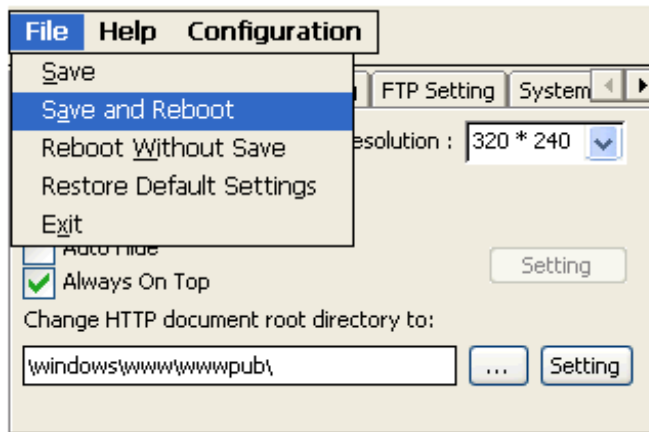
Step 3: Choose the display language, and then click OK



Step 4: Run the WinPAC Utility located on desktop



Step 5: Save and Reboot



2.7. Installing the Touch Panel Driver

The WinPAC provides the Touch Panel driver for PenMount, Egalax, and ELO touch panels, and which can be obtained from WinPAC:

\\System_Disk\\External_device_driver\\

The table below provides a list of supported models and respective device driver names.

Supported Model	Driver Name
ADP-1080T-U	penmount_usb_touch_vyyyymmdd.cab
ADP-1080T-R	penmount_serial_touch_vyyyymmdd.cab
GA-700YY-USB	egalax_usb_touch_vyyyymmdd.cab
GA-700YY-UOM	egalax_serial_touch_vyyyymmdd.cab
ELO USB touch panel	elo_usb_touch_vyyyymmdd.cab
ELO RS-232 touch panel	elo_serial_touch_vyyyymmdd.cab

For more information on how to make setting of touch panel driver, please refer to:

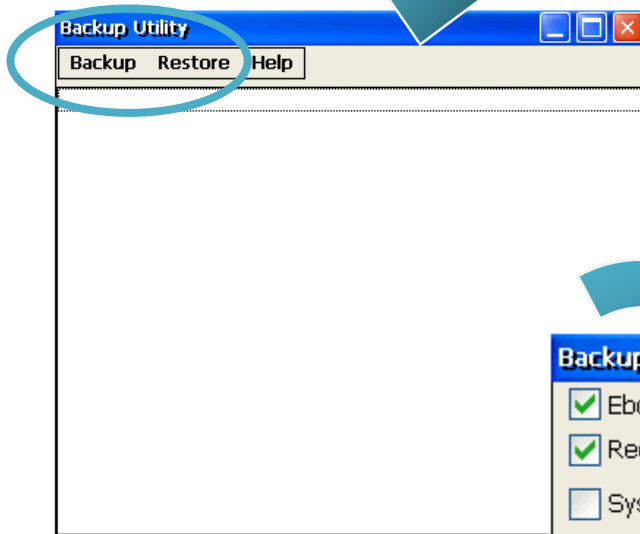
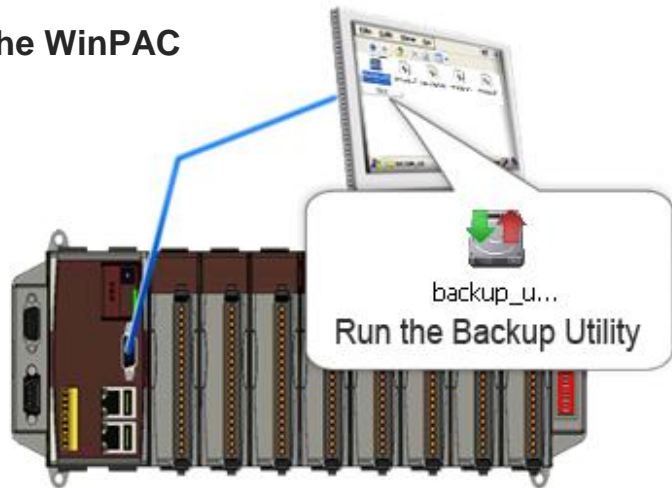
http://www.icpdas.com/products/PAC/winpac/download/winpac_8000/download_os_images.htm

2.8. Using Backup Utility to back up the settings and files

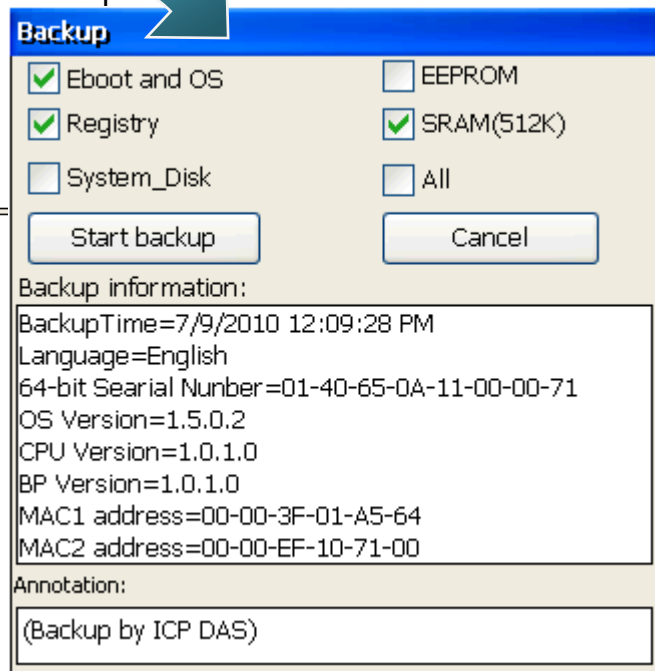
After saving the configuration settings for a WinPAC device following the first use, it is recommended to use the Backup utility to back up all the data (settings and files).

Step 1: Run the Backup Utility on the WinPAC

The DCON firmware is located at:
\\System_Disk\tools\Backup_utility\

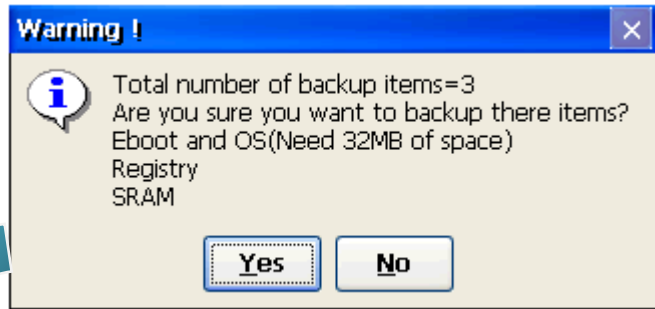


Step 2: Click the Backup menu

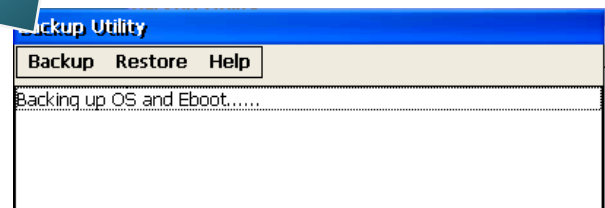


Step 3: Select the options that you want to backup, enter text annotations and then click the Start backup button

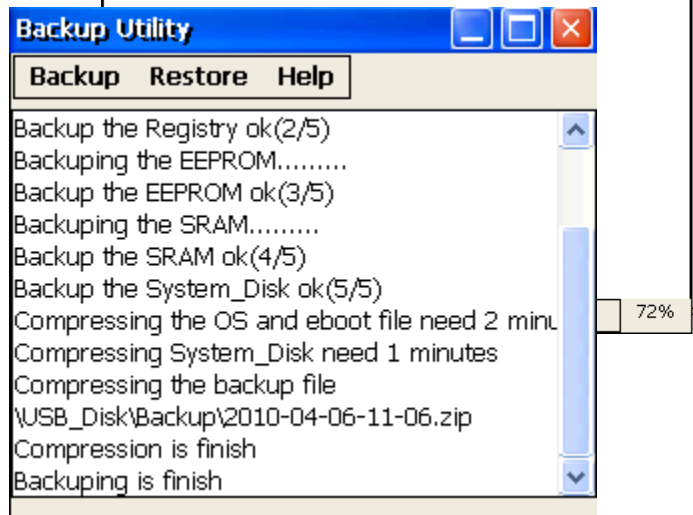
Step 4: Confirm the backup options and then click Yes button



Step 5: Choose the folder that you want to save backup file and click the Ok button



Step 6: Wait for process to finish



2.9. A caution about using System_Disk

The System_disk is an authoritative storage device, but is not suitable for frequent copying and deleting of files and is only suitable for storing important files that are not changed frequently.

If files are copied and deleted frequently, the system will automatically perform a System_Disk defragment action, which will consume the total resources of the CPU and cause the OS not to function correctly.

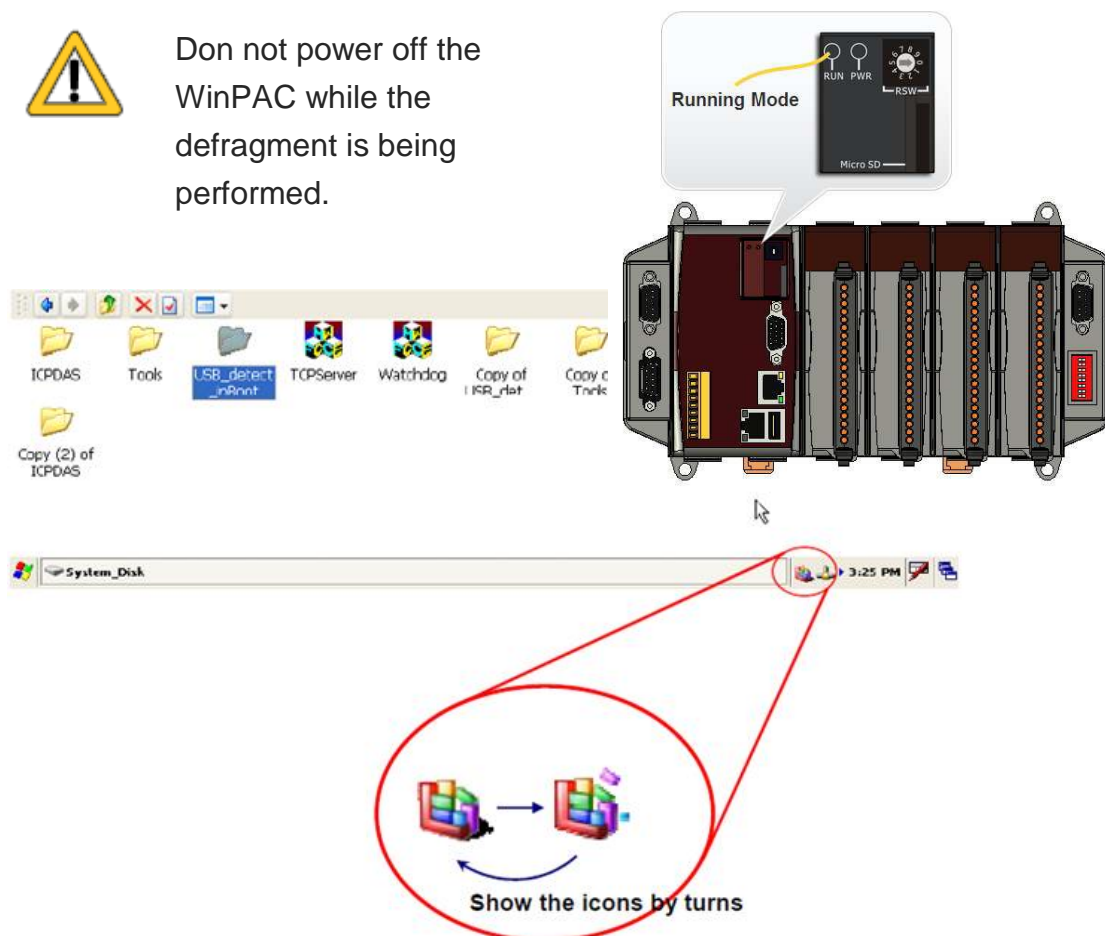
When the OS System_Disk defragment action is being performed, the run LED will blink and the defragment action icon will show in the system tray in the bottom right-hand of the pc screen.

Note: Do not power off the WinPAC while the defragment is being performed.

Tips & Warnings



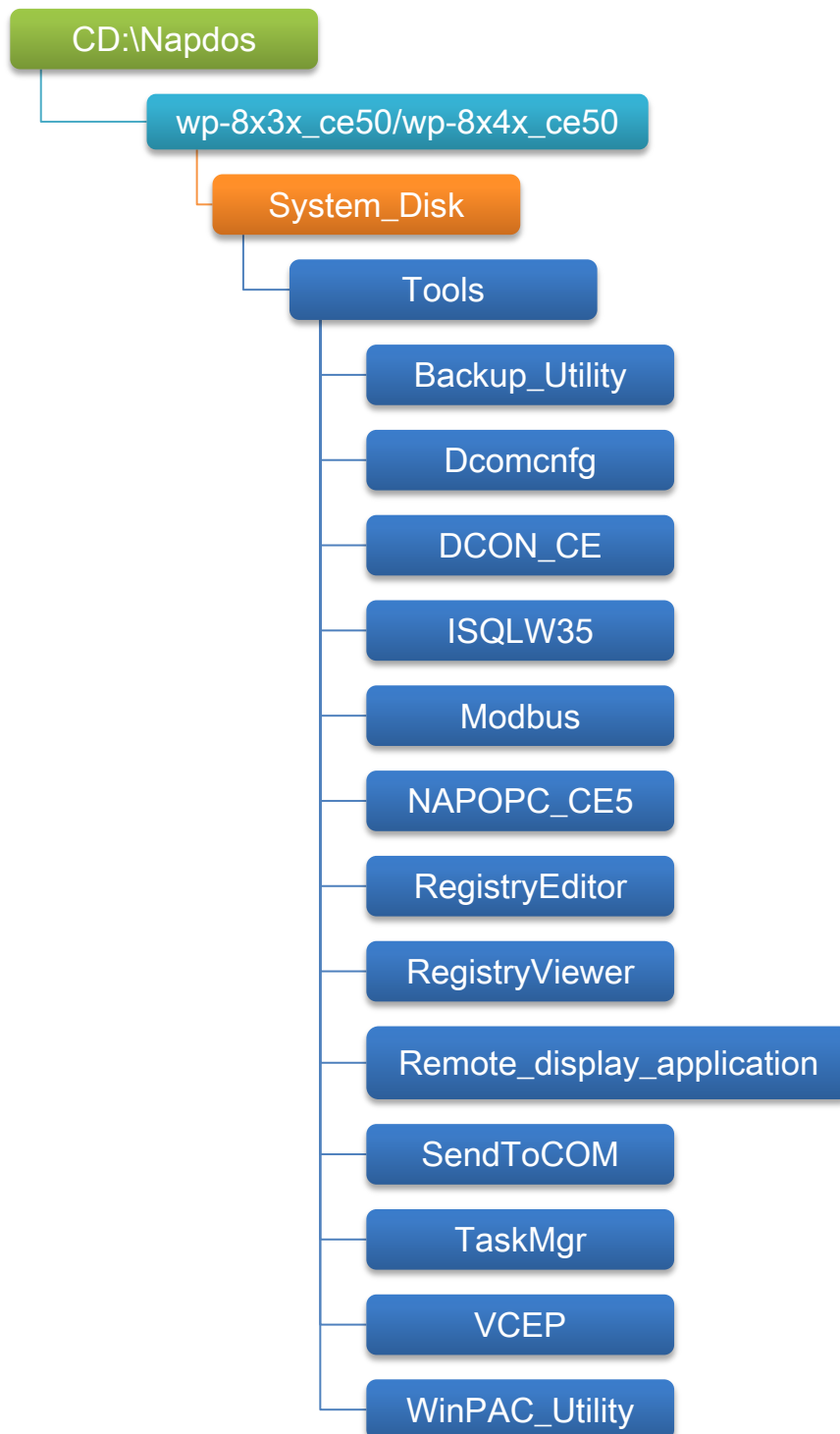
Don not power off the WinPAC while the defragment is being performed.



3. Tools and Tasks

This chapter briefly describes the functions of the WinPAC software toolkits.

Following tools has been installed on the WinPAC.



• Backup_Utility

The Backup_Utility is a system backup/restore tool used to backup/restore all the data (OS, settings and files) from/to the WinPAC/ViewPAC device.

For more information about the Backup Utility, please refer to “3.6.Bacup Utility”.

•Dcomcnfg

dcomcnfg.exe for Windows CE to configure your DCOM settings.

NTLMUser.exe for Windows CE to create local NTLM accounts on the Windows CE Device.

• DCON_CE

With Host PC running the DCON Utility, on the WinPAC, the DCON_CE program allows user to view and monitor the status of the DCON Utility.

• ISQLW35

The ISQLW35 implements SQL server compact 3.5 Query Analyzer.

• Modbus

The Modbus provides various applications of Modbus protocol for configuring the WinPAC.

• NAPOPC_CE5

NAPOPC_CE5 is an integrated omnibus software package, it allows user to quickly establish a DCS control system.

For more information about the NAPOPC_CE5, please refer to “3.2. NAPOPC_CE5”.

- **RegistryEditor**

The RegistryEditor allows user to editor the registry value of Windows CE Operating System.

- **RegistryViewer**

The Registry Viewer allows user to view the registry value of Windows CE Operating System.

- **Remote display application**

The remote display application allows user to view the display remotely of the WinPAC on a Host PC.

- **SendToCOM**

The SendToCOM allows user to send/receive data to/from the expansion module via serial port.

- **TaskMgr**

The TaskMgr provides details about programs and processes running on the WinPAC.

- **VCEP**

The VCEP allows user to manage the WinPAC remotely on a Host PC.

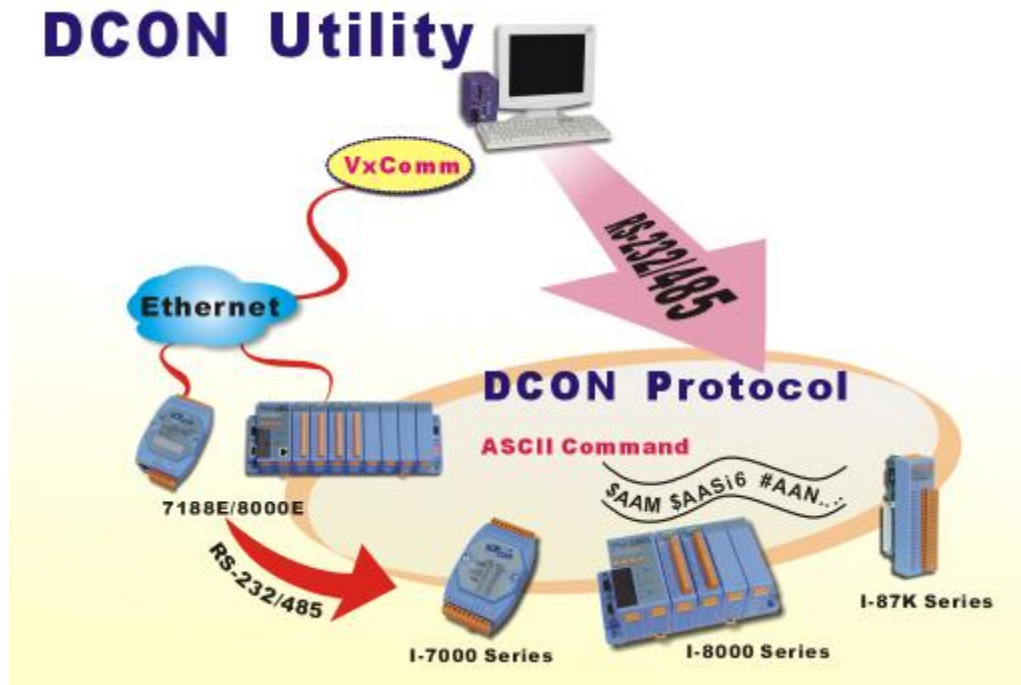
For more information about the VCEP, please refer to “3.4. VCEP (Virtual CE Pro)”.

- **WinPAC Utility**

The WinPAC Utility provides various useful functions such as configuring Ethernet settings, monitoring system settings and FTP services .etc for easy and quick management.

For more information about the WinPAC Utility, please refer to “3.5. WinPAC Utility”.

3.1. DCON Utility



The DCON Utility is a toolkit that help user search the network, easily to Configure the I/O modules and test the I/O status via the serial port (RS-232/485) or Ethernet port (using virtual com port). It supports not only the DCON Protocol I/O modules but also the M Series I/O Modules (Modbus RTU M-7K, M-87K and will support Modbus ASCII M-87K) now.

For more detailed information on WinPAC Utility applications, please refer to "2.5. Using DCON Utility to configure the I/O modules"

3.2. NAPOPC_CE5



NAPOPC_CE5 DA Server is a free OPC DA Server (The "OPC" stands for "OLE for Process Control" and the "DA" stands for "Data Access") working on WinPAC, ViewPAC & WinCon controllers provided by ICP DAS Ltd. The first standard (originally called simply the OPC Specification and now called the Data Access Specification)

resulted from the collaboration of a number of leading worldwide automation suppliers working in cooperation with Microsoft. Originally based on Microsoft's OLE COM (component object model) and DCOM (distributed component object model) technologies, the specification defined a standard set of objects, interfaces and methods for use in process control and manufacturing automation applications to facilitate interoperability. NAPOPC_CE5 DA Server integrates OPC, Modbus TCP Slave and Modbus RTU Slave three kind Slave services, as well as integrates Modbus TCP Master, Modbus RTU Master and DCON three kind Master communication protocols. It also provides one advanced function "Rule Script" for use in the I/O integration and transformation, and some conditional Logic operation.

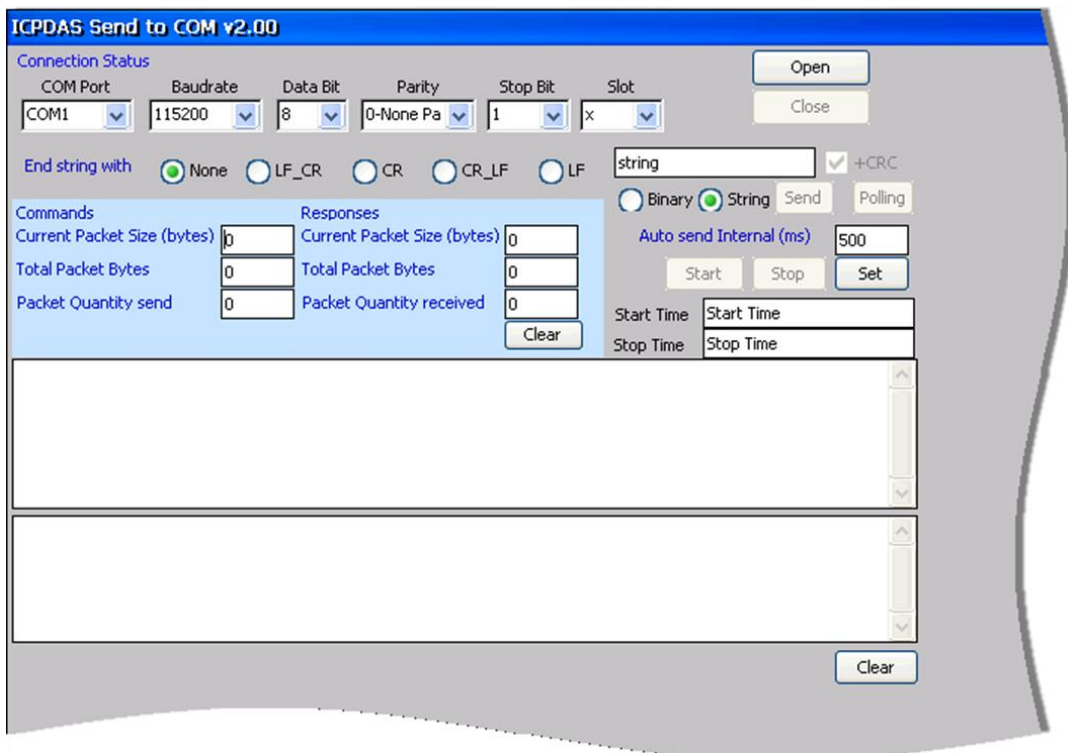
Any version before 2.1.0 of the NAPOPC_CE5 was named "Quicker"

3.3. SendToCOM

The SendToCOM uses the serial port to communicate with expansion module. To use the SendToCOM, you can send data to expansion module through the serial port, and receive data from other device through the serial port.

For more information about these commands for communicating with expansion module, please refer to:

CD:\Napdos\io_module\87k_high_profile_modules.htm



3.4. VCEP



ICPDAS VCEP is designed for managing your WinPAC anywhere. No matter where you are, ICPDAS VCEP provides a convenient environment on the Desktop PC and allows you control your WinPAC remotely.

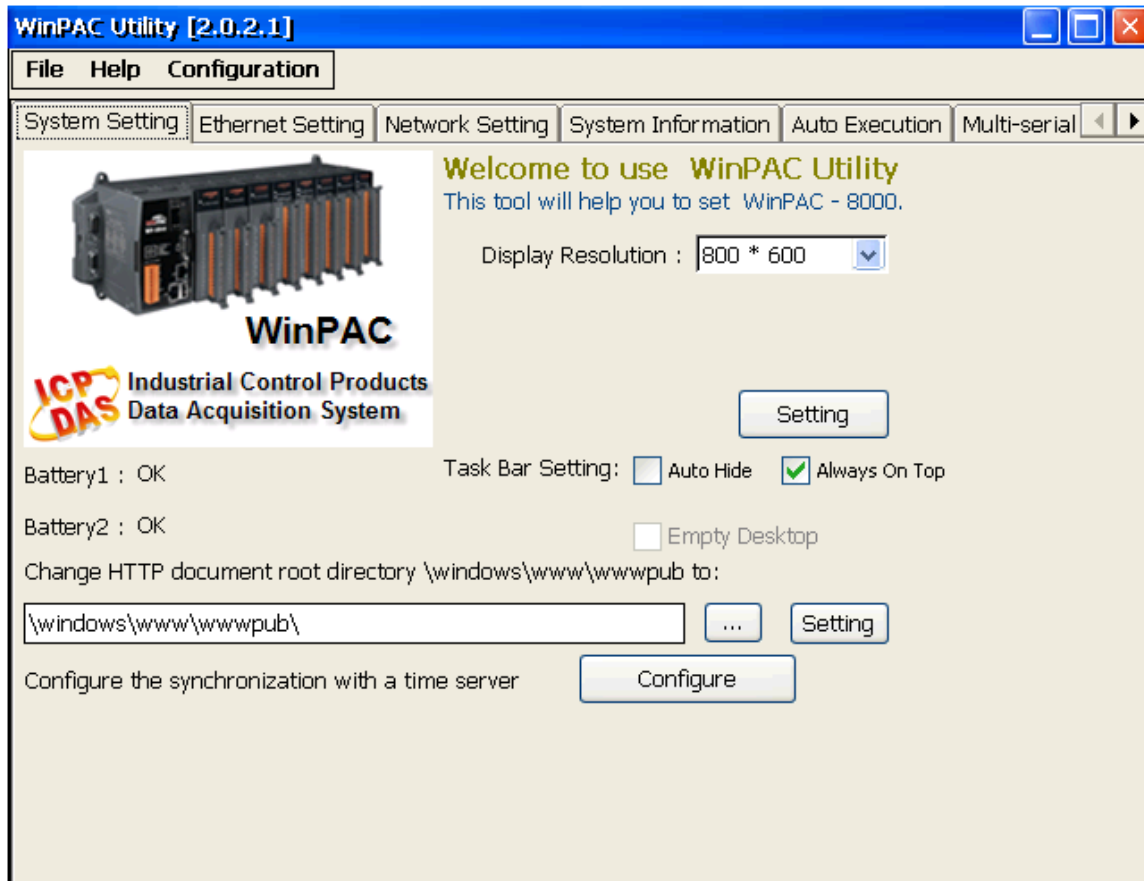
ICPDAS VCEP is composed of two main components:
The "Server" which runs on WinPAC.
The "Client" which runs on a Desktop PC.

Once a connection is established between the client and server (initiated by the client), the client will periodically send requests for screen updates and send mouse/key click information to the server to simulate. Each video frame is inter-compressed against the previous frame and then intra-compressed with a modified LZW scheme to minimize the amount of data transmitted from server to client.

For more detailed information on VCEP application, please refer to http://www.icpdas.com/products/PAC/wincon-8000/wincon_VirtualCE.htm

3.5. WinPAC Utility

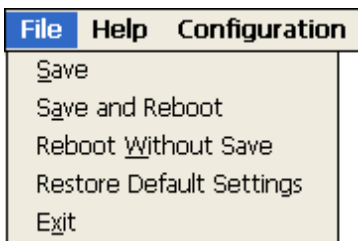
The WinPAC Utility is a tool which is designed to quickly control and manage the WinPAC.



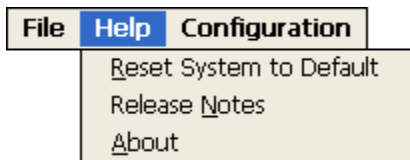
3.5.1. Menu Bar

The WinPAC Utility includes the following function menu. All function menu will be explained later.

✓ File Menu



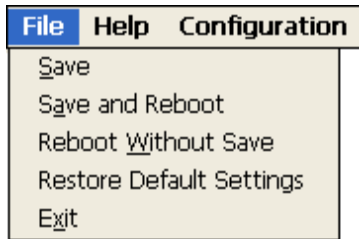
✓ Help Menu



✓ Configuration Menu

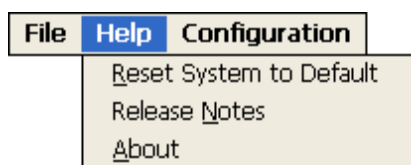


File Menu



The menu commands	Use to
Save	Saves the settings into Flash. The new settings don't take effect until the WinPAC restart.
Save and Reboot	Saves the settings into Flash and restart the WinPAC. The new settings will take effect after the WinPAC restart.
Reboot Without Save	Restarts the WinPAC without save the settings into Flash.
Restore Default Settings	Restarts the settings of WinPAC to its factory default values. The settings include configuration setting, network setting, auto execution, etc.
Exit	Exits the WinPAC Utility.

Help Menu



The menu commands	Use to
Reset System to Default	Resets the system interrupt status to default. The operation used in the situation when the interrupt crash. You can select this operation to reset the interrupt status without rebooting the device.
Release Notes	Checks out what's new and the know issues.
About	Displays a dialog box with information about WinPAC Utility, including the current version and copyright information.

Configuration Menu

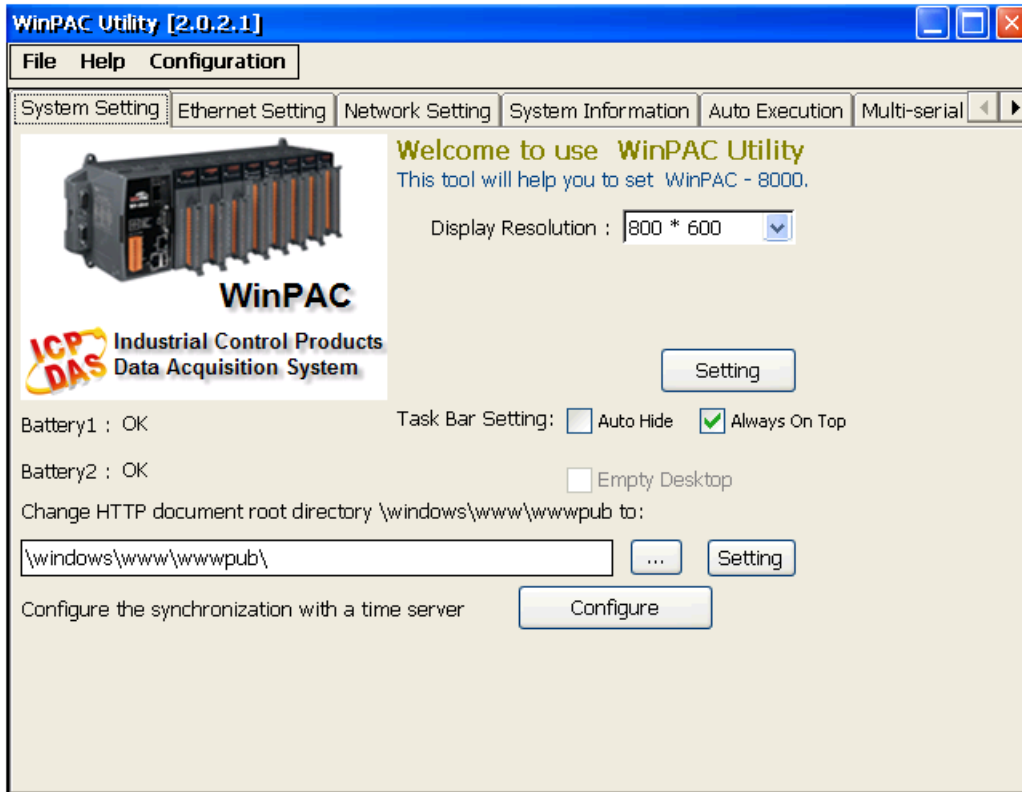


The menu commands	Use to
Import Registry Key	<p>Backs up a sub-key of registry by using a registration entry (.reg) file.</p> <p>How to use:</p> <p>Step 1: Select the “Import Registry Key”, then the “Open” dialog box will appear</p> <p>Step 2: On the “Open” dialog box, select a specific .reg file to import</p> <p>Warning:</p> <ol style="list-style-type: none"> 1. The .reg file which should be saved by “Export Registry Key”. 2. It will not save automatically after import a .reg file.
Export Registry Key	<p>Makes a back up of a registry sub-key</p> <p>How to use:</p> <p>Step 1: Select the “Export Registry Key”, then the “Export Registry” box will appear</p> <p>Step 2: Select a specific root key</p> <p>Step 3: Input a specific path of sub-key</p> <p>Step 4: Push the “OK” button, then the “Save As” dialog box will appear prompting you to select a location where you want to save this exported file</p> <p>Warning:</p> <p>The export operation will export all the sub-keys of the specific key which you input.</p>
Store All Registry Setting	<p>Stores all registry setting to flash from .das file which is saved by “Dump All Registry Setting”.</p> <p>How to use:</p>

The menu commands	Use to
	<p>Step 1: Select the “Store All Registry Setting” , then the “Open” dialog box will appear</p> <p>Step 2: On the “Open” dialog box, select a specific .das file to store</p> <p>Warning:</p> <ol style="list-style-type: none"> 1. The .das file which should be saved by “Dump All Registry Setting”. 2. It will save automatically after store .das file.
Dump All Registry Settings	<p>Dump all registries setting to .das file.</p> <p>How to use:</p> <p>Select the “Dump All Registry Setting”, then the “Save As” dialog box will appear prompting you to select a location where you want to save this exported file.</p>

3.5.2. Property Tabs

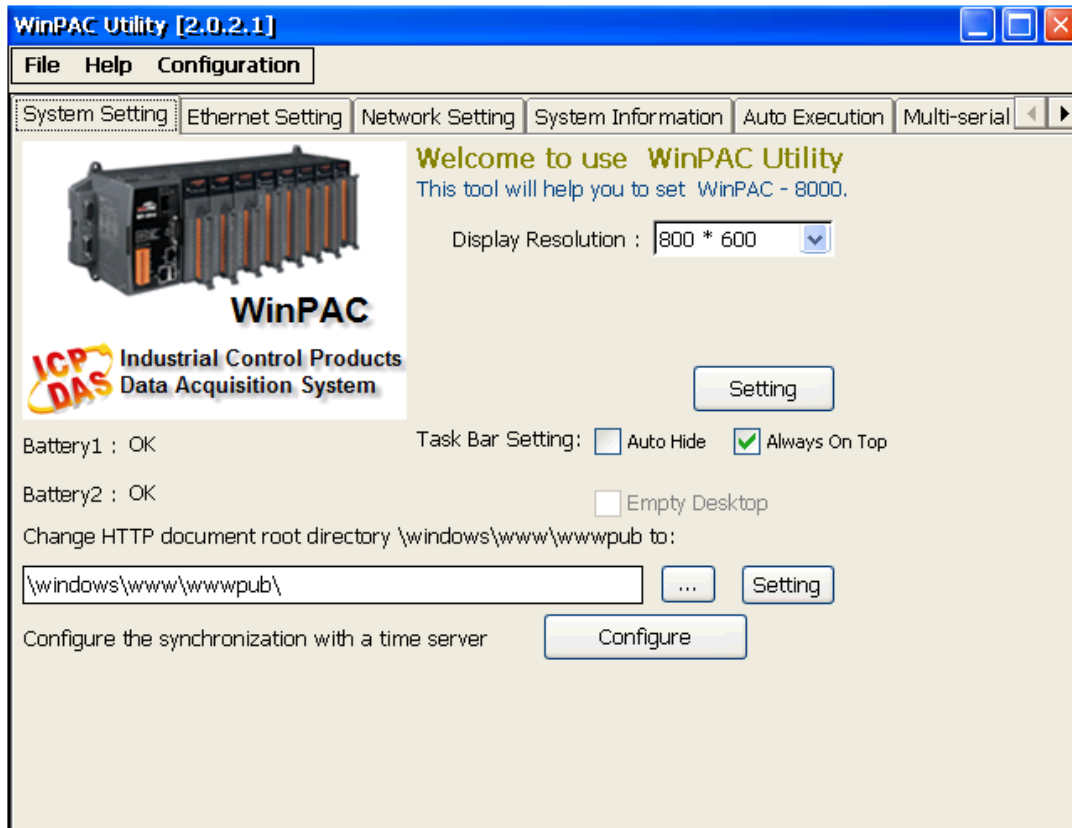
The WinPAC Utility includes the following property tabs, all property tabs will be explained later.



- ✓ **System Setting**
- ✓ **Ethernet Setting**
- ✓ **Network Setting**
- ✓ **System Information**
- ✓ **Auto Execution**
- ✓ **Multi-serial port wizard**
- ✓ **System Memory Setting**
- ✓ **Backplane Compatibility**

System Setting Tab

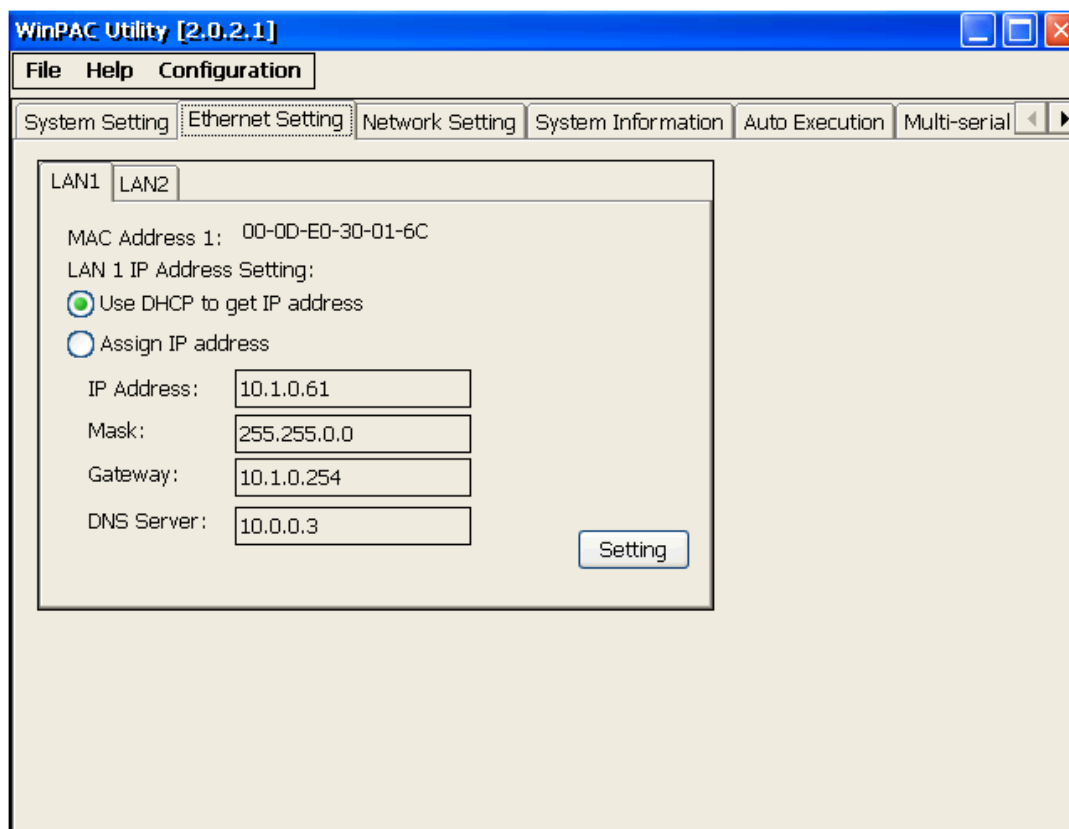
The System Setting tab provides functions to configure the task bar HTTP directory path.



The tab use to	How to use
Adjust the size of the desktop	Select a display resolution from the Resolution list.
Lock or Auto-Hide the taskbar	Auto-Hide: Select the Auto Hide check box Lock: Select the Always On Top check box.
Check the status of the battery	See the Battery1 and Battery2 field that displays the battery status.
Change the HTTP directory path	Enter a new path in the Change HTTP document root directory \windows\www\wwwpub to field, and then press the Setting button.

Ethernet Setting Tab

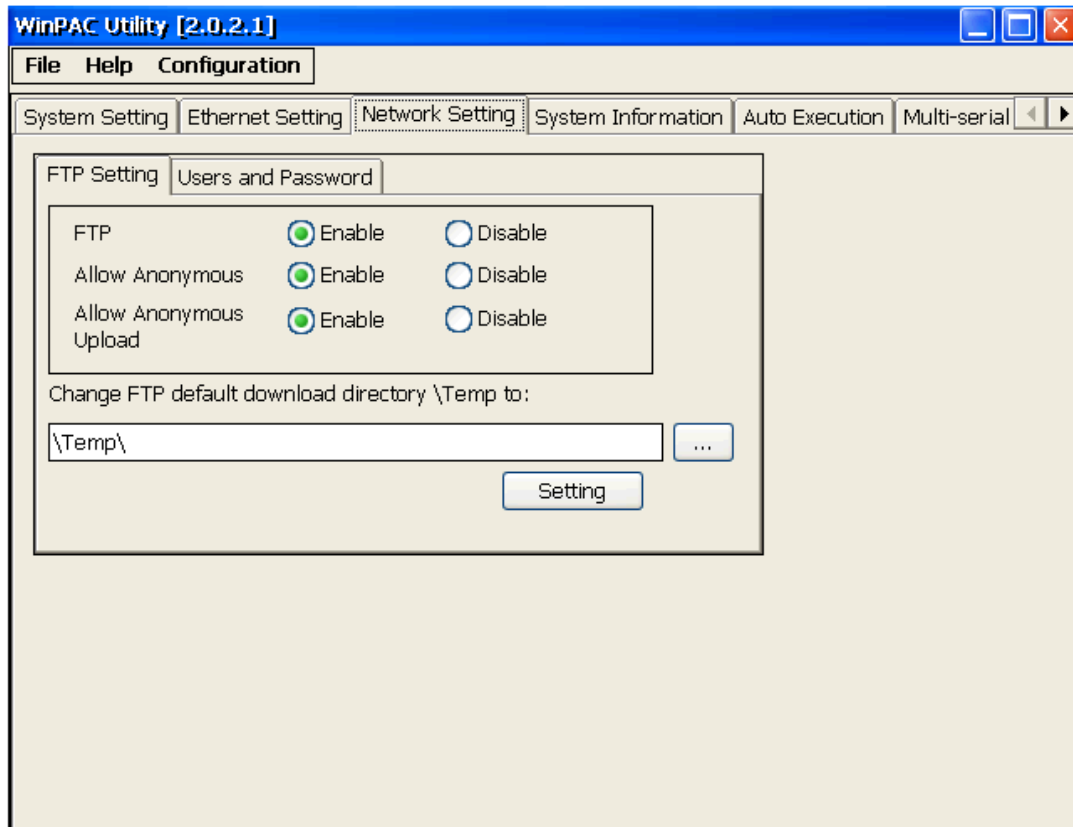
The Ethernet Setting tab provides functions to configure either DHCP (Roaming) or manually configured (Static) network settings and to monitor the MAC address. Generally, DHCP is the default settings, but if you don't have a DHCP server, you must configure the network settings by using manual configuration.



The tab use to	How to use
Configure the network settings	Obtaining an IP address automatically from DHCP: Select the Use DHCP to get IP address option. Manually assign an IP address: Select the Assign IP address option.
Monitor the MAC address	See the MAC Address 1 and MAC Address 2 fields that display the physical address of LAN1 and LAN2.

Network Setting Tab

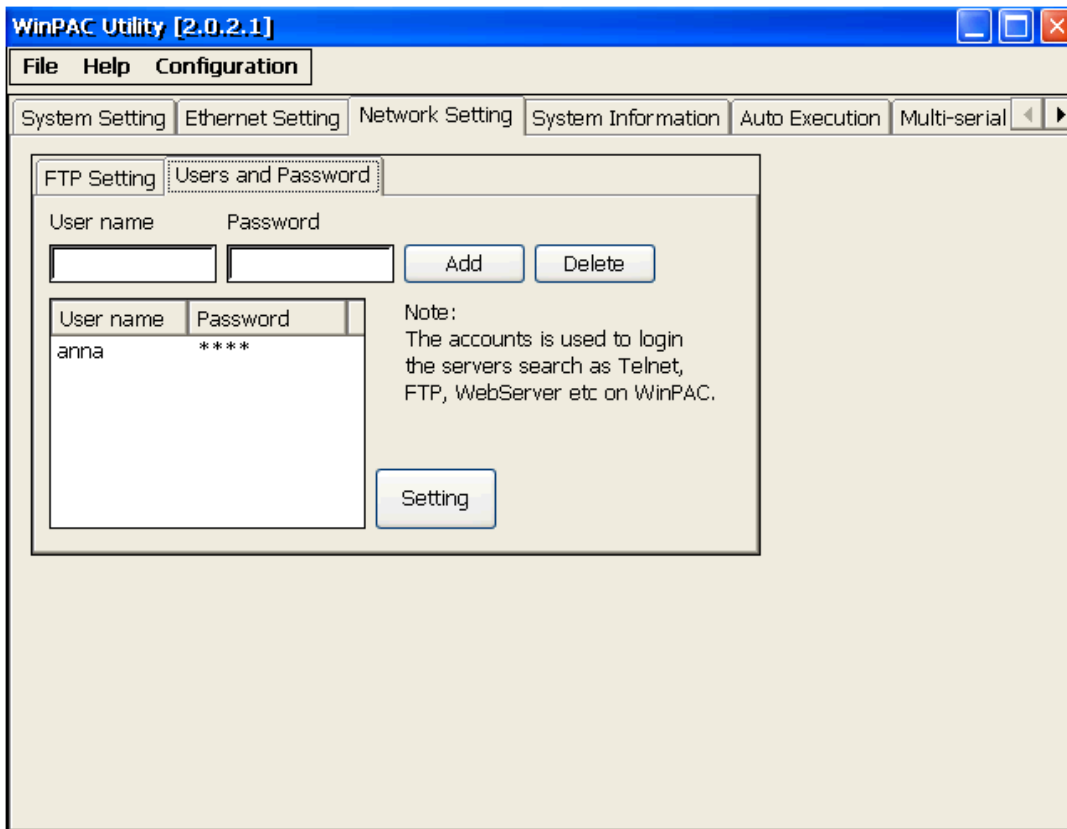
The Network Setting tab includes two tabs, FTP Setting and Users and Password. The FTP settings tab provides functions to enable/disable the FTP access, enable/disable anonymous FTP access, and configure the FTP directory path.



The tab use to	How to use
Enable or disable the FTP access	Enable: Select the Enable check box in the FTP field. Disable: Select the Disable check box in the FTP field.
Enable or disable anonymous FTP access	Enable: Select the Enable check box in the Allow Anonymous field. Disable: Select the Disable check box in the Allow Anonymous field.
Enable or disable anonymous FTP upload	Enable: Select the Enable check box in the Allow Anonymous Upload field.

The tab use to	How to use
	Disable: Select the Disable check box in the Allow Anonymous Upload field.
Change the FTP directory path	Enter a new path in the Change FTP default download directory field, and then press the Setting button.

The FTP settings tab provides functions to add, delete, and manage the user account for FTP, telnet and Web server access.

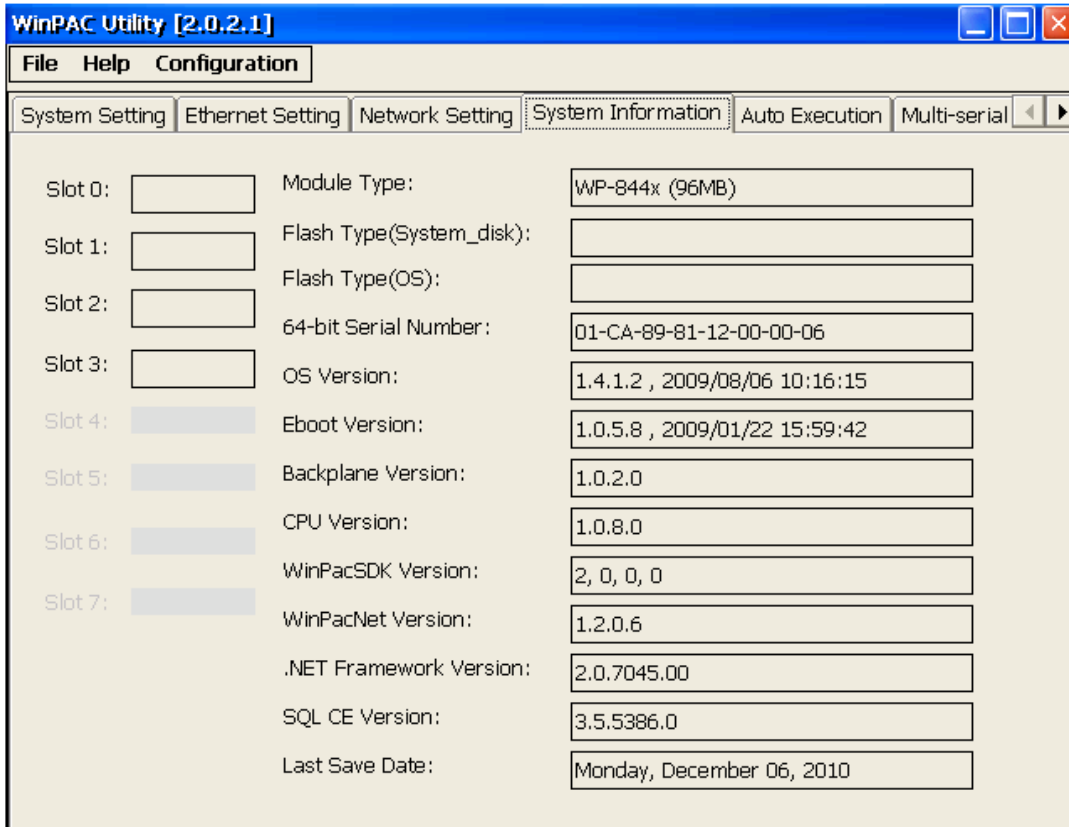


The tab use to	How to use
Add a user account	Fill in the User name and Password field of your user account, press the Add button, and then press the Setting button
Delete a user account	Choose a user name from the user account list, the user account that you select will display in the User name and Password filed, press the Delete button, and then press the Setting button
<p>* The maximum number of the user accounts is 5.</p> <p>* The maximum of the string length of the user name and password fields must be less than 20 charachters.</p>	

For more information on how to use a user account to login WinPAC, please refer to “E.1. How to set up a telnet and FTP account to login WinPAC”

System Information Tab

The System Information tab provides functions to monitor necessary system information of the WinPAC. The system information is the most important note of version control for upgrading system.



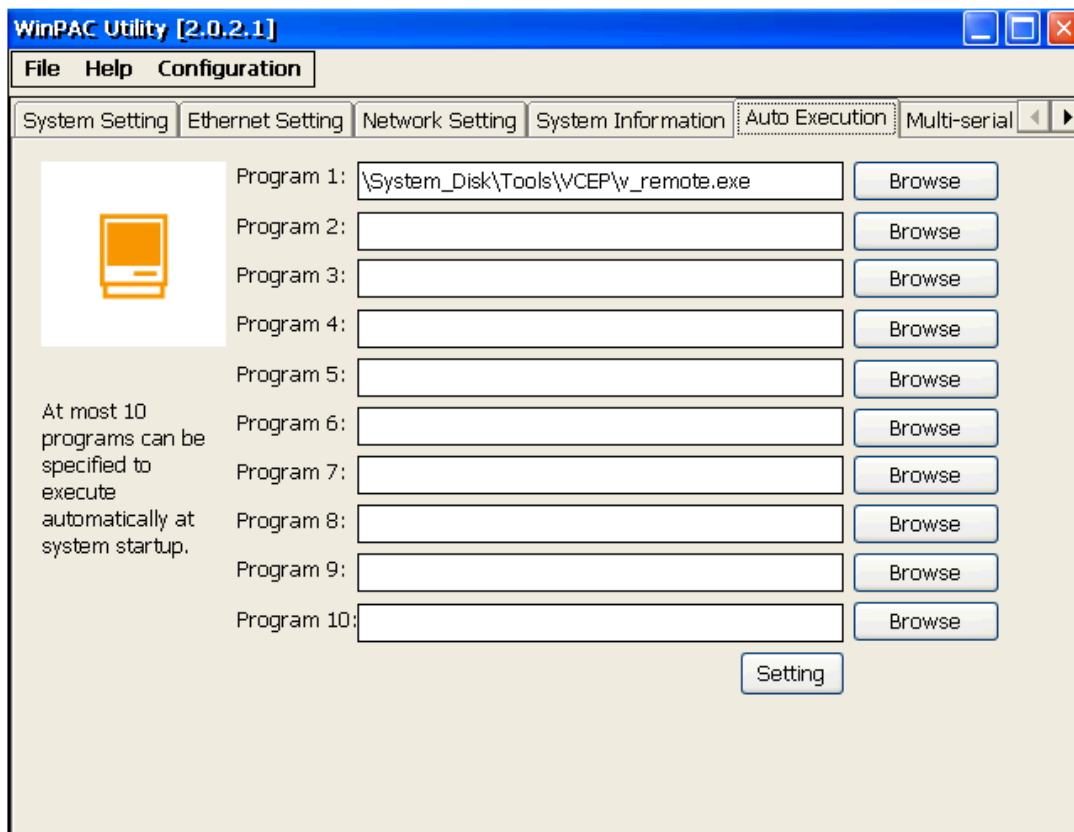
Slot	Parameter	Value
Slot 0:	Module Type:	WP-844x (96MB)
Slot 1:	Flash Type(System_disk):	
Slot 2:	Flash Type(OS):	
Slot 3:	64-bit Serial Number:	01-CA-89-81-12-00-00-06
Slot 4:	OS Version:	1.4.1.2 , 2009/08/06 10:16:15
Slot 5:	Eboot Version:	1.0.5.8 , 2009/01/22 15:59:42
Slot 6:	Backplane Version:	1.0.2.0
Slot 7:	CPU Version:	1.0.8.0
	WinPacSDK Version:	2, 0, 0, 0
	WinPacNet Version:	1.2.0.6
	.NET Framework Version:	2.0.7045.00
	SQL CE Version:	3.5.5386.0
	Last Save Date:	Monday, December 06, 2010

Auto Execution Tab

The Auto Execute tab provides functions to configure programs running at WinPAC startup, it allows users to configure ten execute files at most.



The allowed file types are .exe and .bat, and they are executed in order of program 1, program 2, etc.



The tab use to	How to use
Configure programs running at startup	Press the Browse button to select the execute file which you want, and then press the Setting button.

Multi-Serial Port Wizard Tab



The Multi-serial port provides functions for installation of the RS-232/RS-422/RS-485 communication module driver.

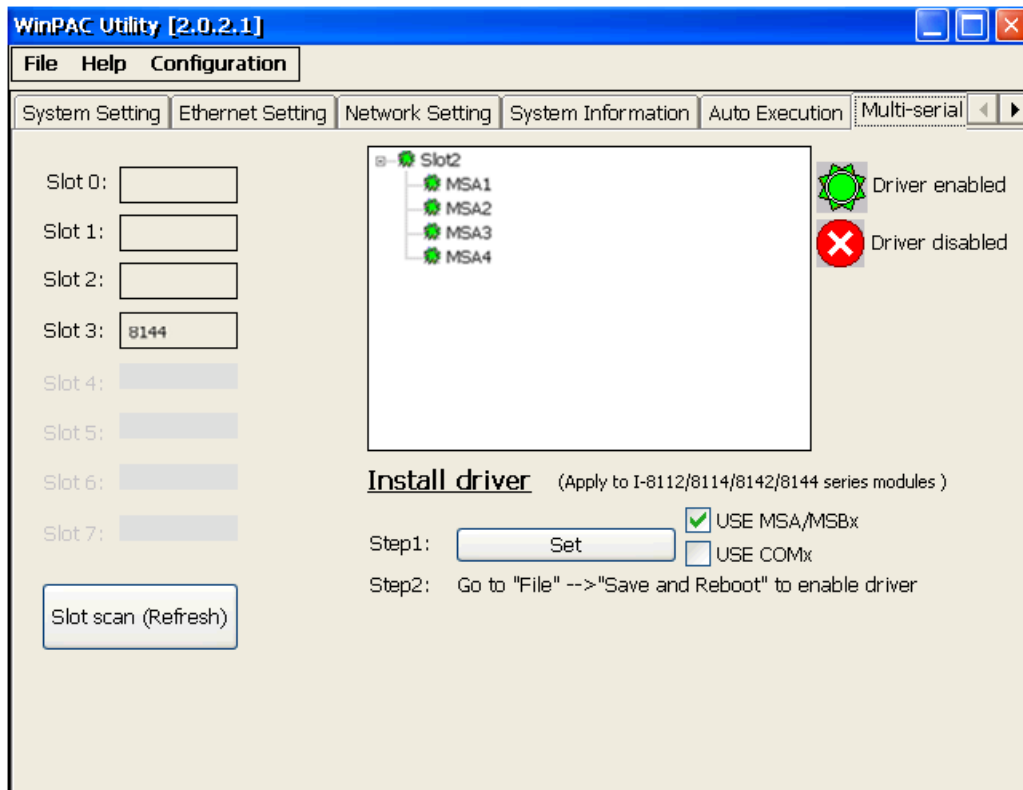


The table below shows the expansion RS-232/RS-422/RS-485 communication modules that are compatible with the WinPAC.

Item	RS-232	RS-422/RS-485	Isolation	Connector
I-8112iW	2	-	2500 Vrms	DB-9 x 2
I-8114W	4	-	-	DB-37 x 1
I-8114iW	4	-	2500 Vrms	DB-37 x 1
I-8142iW	-	2	2500 Vrms	Terminator block x 1
I-8144iW	-	4	2500 Vrms	Terminator block x 1

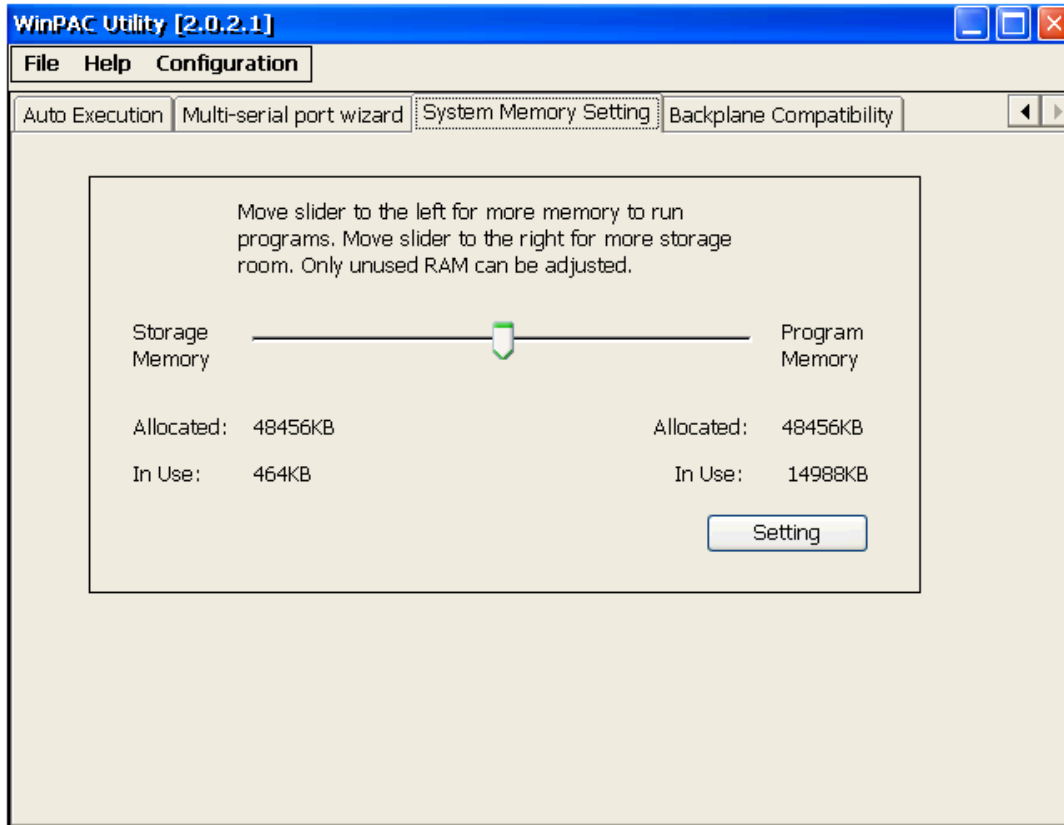
The WinPAC can be expanded to support up to 16 COM ports.

For more detailed information about these support modules, please refer to http://www.icpdas.com/products/Remote_IO/i-8ke/selection_rs232_i8k.htm



System Memory Setting Tab

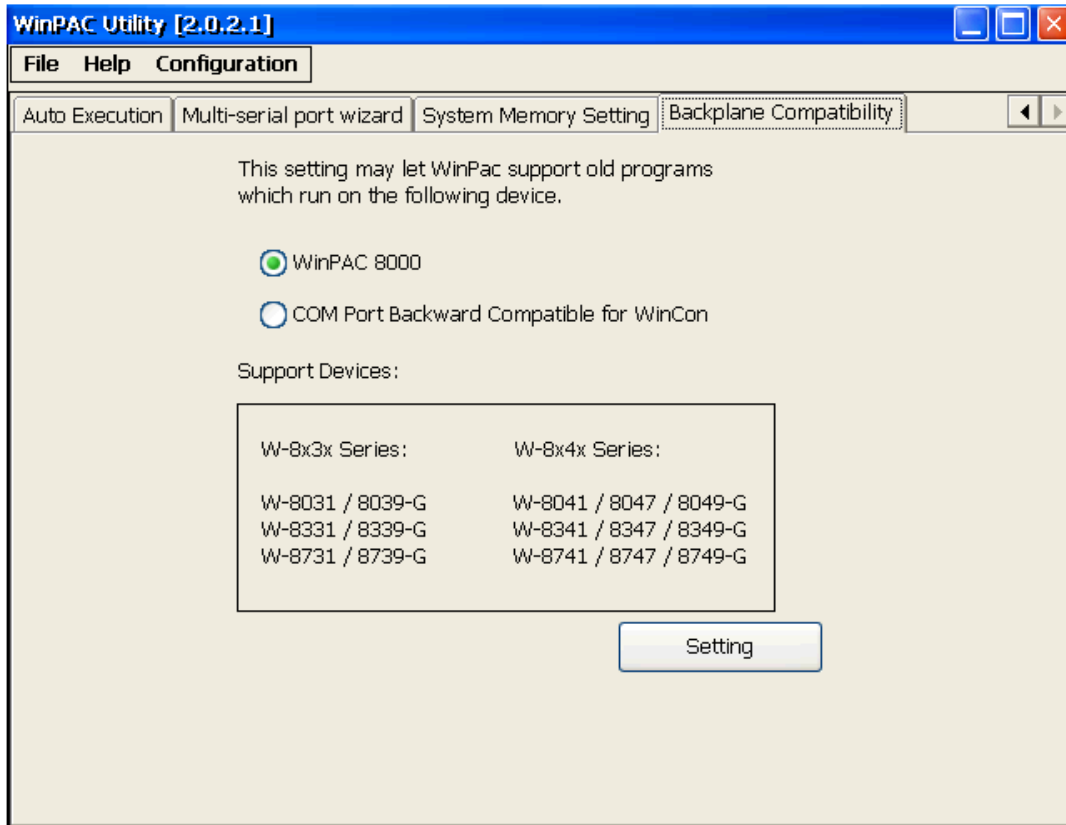
The System Memory Setting tab provides functions to adjust and monitor the unused RAM.



The tab use to	How to use
Adjust display	Move the slider left to release more memory running programs or move the slider right to release more storage room, and then press the Setting button

Backplane Compatibility Tab

The Backplane Compatibility tab provides functions to keep old programs running on WinPAC without any modification. the unused RAM.



The tab use to	How to use
Configure programs running at WinCON-8000	Select the “COM Port Backward Compatible for WinCon” and then press Setting button

4. Your First WinPAC Program

This chapter describes the components of the WinPAC SDK, and provides step by step tutorial for developer that will teach you how to create your first WinPAC program.

Before writing your first program, ensure that you have the necessary development tools and the corresponding WinPAC SDKs are installed on your system.

4.1. Preparing the Development Tools

There are several programming tools available for application developers targeting Windows CE-based WinPAC. One of the following tools must be installed on the Host PC.

- ✓ Microsoft eMbedded Visual C++
- ✓ Visual Basic.net
- ✓ Visual C#

4.2. Installing WinPAC SDKs

The WinPAC SDK is a Software Development Kit (SDK) that contains C header files, C libraries and documents.

Below is a step by step procedure for installing the WinPAC SDKs.

Step 1: Insert the CD into your CD-ROM drive

Step 2: Execute the “PAC270_SDK_YYYYMMDD.msi” which is located in

- For WP-8x3x series
CD:\Napdos\wp-8x3x_ce50\SDK\
- For WP-8x4x series
CD:\Napdos\wp-8x4x_ce50\SDK\

Step 3: Follow the prompts until the installation is complete

4.3. Understanding the WinPAC SDK

The WinPAC SDK includes several application programming interfaces (APIs) that allows you perform various supporting tasks when developing WinPAC.

➤ Requirements

The WinPAC SDK only supports NET Framework 2.0 or above.

➤ Installation Path

After installing the WinPAC SDKs, a number of functions can be installed on the Host PC, and this installation puts the header files, libraries into the following public places so they are easily changed by update the WinPAC SDKs.

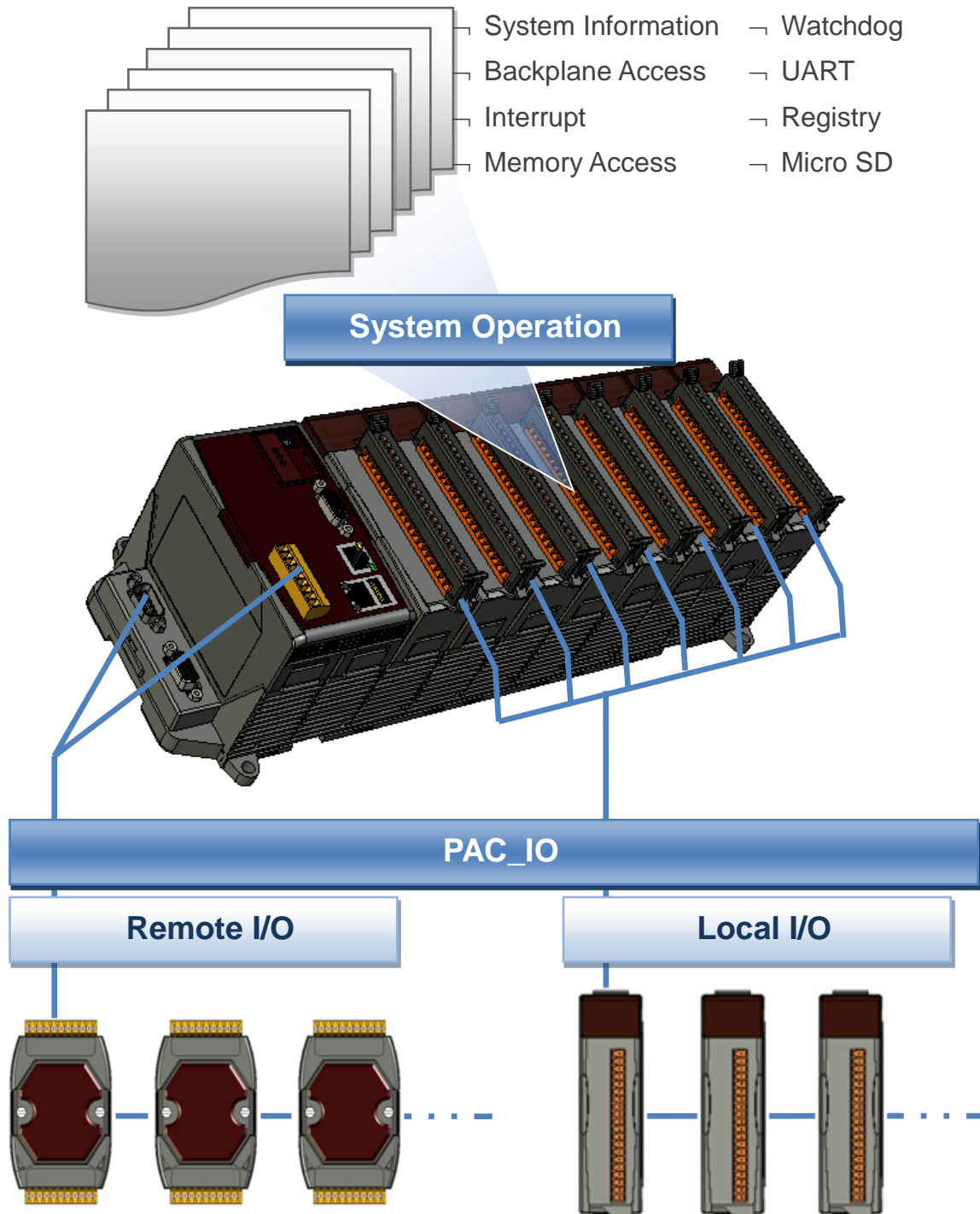
Header files:

C:\Program Files\Windows CE Tools\wce500\PAC270\Icpdas\Include\ARMV4\

Libraries:

C:\Program Files\Windows CE Tools\wce500\PAC270\Icpdas\Lib\ARMV4\

4.3.1. WinPAC SDK Overview



- **SystemInformation Functions**

Provides reference information for the system status.

- **Backplane Access API**

Provides reference information for the backplane access APIs, including backplane information.

- **Interrupt API**

Provides reference information for the Interrupt APIs

- **Memory Access API**

Provides reference information for the memory R/W APIs, including EEPROM and SRAM.

- **Watchdog Functions**

Provides reference information for the watchdog APIs, including hardware watchdog and OS watchdog.

- **Uart API**

Provides reference information for the Uart APIs.

- **Registry API**

Provides reference information for the registry.

- **MicroSD Management API**

Provides reference information for the MicroSD Manager.

- **PAC_IO API**

Provides reference information for IO APIs, including local and remote.
In additions, no matter 8K or 87K modules use the same API.

- **Error Handling API**

Provides reference information for error handling.

4.3.2. WinPAC SDK Reference

For full usage information regarding the description, prototype and the arguments of the functions, please refer to the “WinPAC Standard API Manual” located at:

► For WP-8x3x series

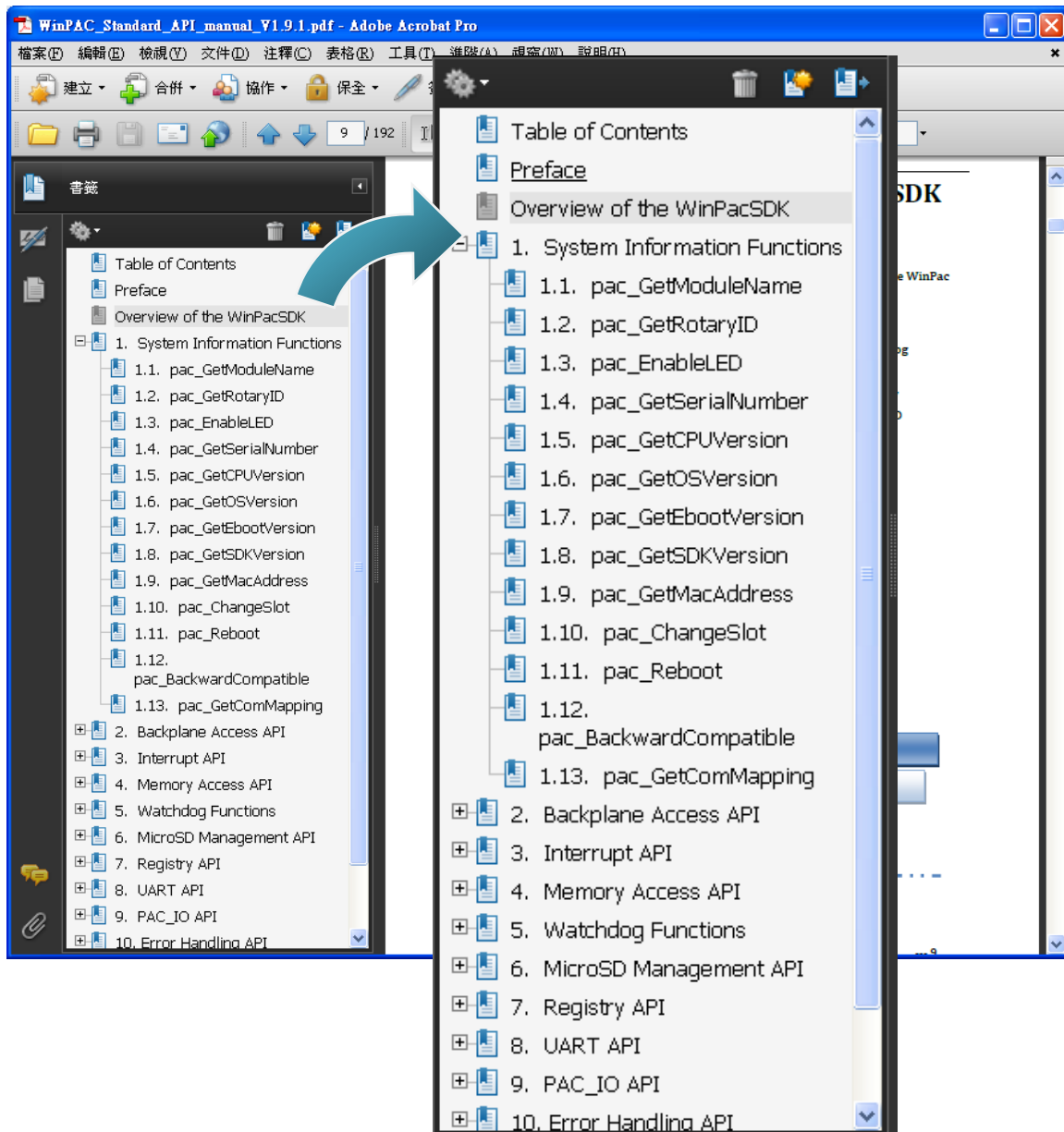
CD:\Napdos\wp-8x3x_ce50\Document\SDK_Document\

http://ftp.icpdas.com/pub/cd/winpac/napdos/wp-8x3x_ce50/document/sdk_document/

► For WP-8x4x series

CD:\Napdos\wp-8x4x_ce50\Document\SDK_Document\

http://ftp.icpdas.com/pub/cd/winpac/napdos/wp-8x4x_ce50/document/sdk_document/



4.4. Your First Program in C#

Here we will explain how to create a C# program running on WinPAC. We assume that you use Visual Studio 2005.

Depending on the version of

To create a demo program with C# development tool includes the following main steps:

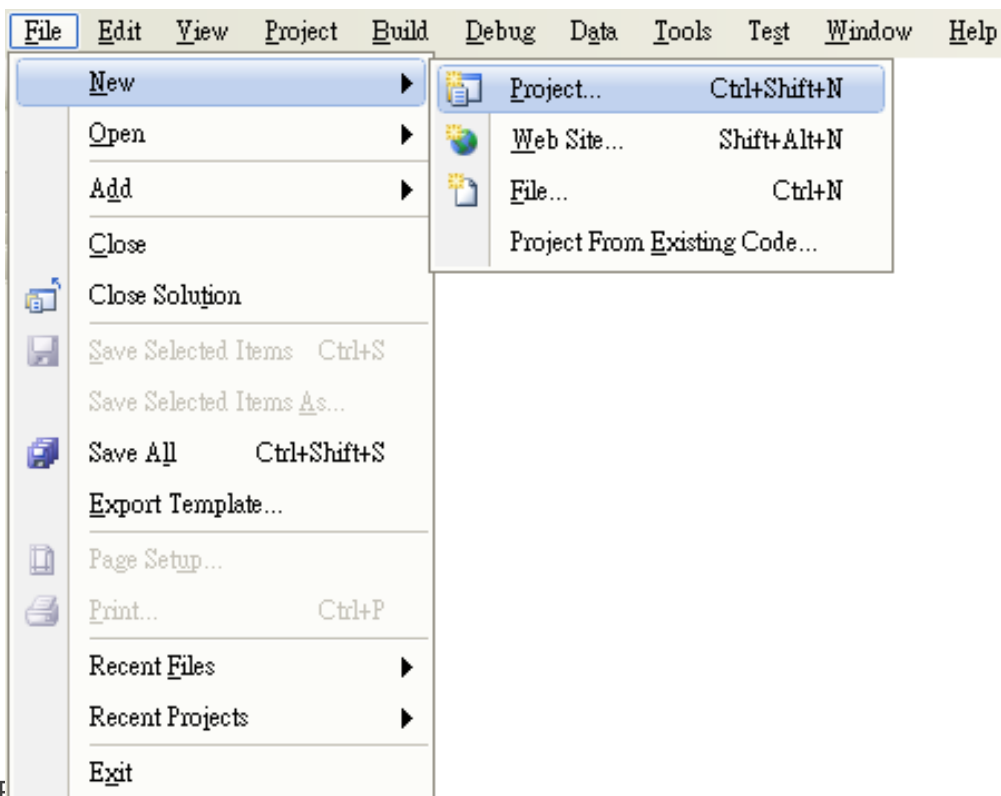
1. Create a new project
2. Add project reference for an application
3. Design and Build an application program
4. Execute the application on the WinPAC

All main steps will be described in the following subsection.

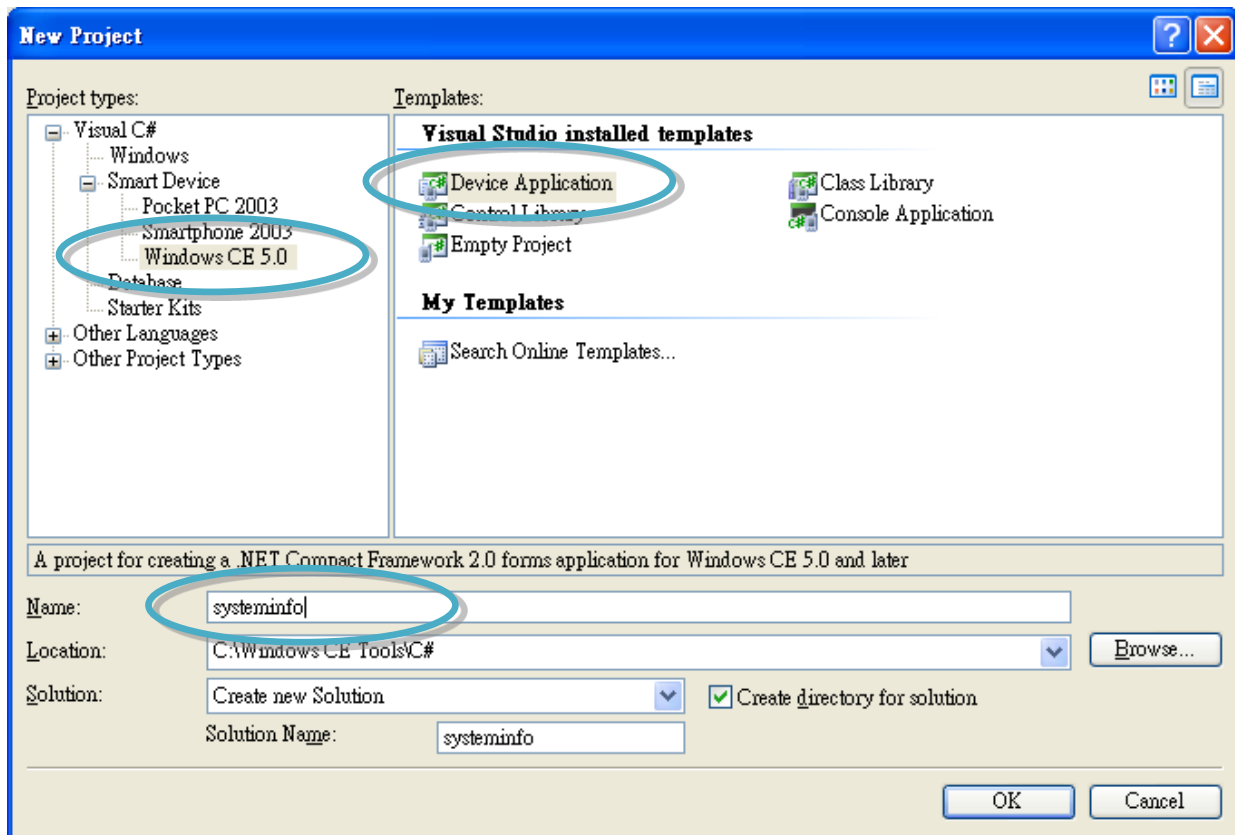
4.4.1. Create a new project

Step 1: Start the Visual Studio 2005

Step 2: On the “File” menu, select the “New” command, and then click the “Project” command



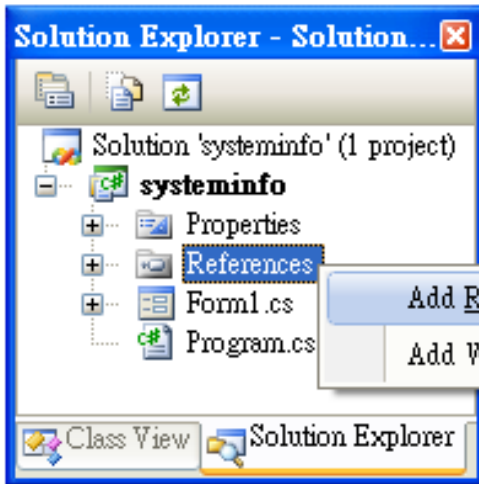
Step 3: In the “New Project” dialog box do the following in this order



Step 4: Click OK to start creating a “systeminfo” project

4.4.2. Add project reference for an application

Step 1: On the “Solution Explorer” window, right-click the “References” and then click the “Add Reference...” command



Step 2: In the “Add Reference” dialog box, select the “Browse” tab, and then specify the directory of the “Winpacnet.dll” file in the “File name” field

The “winpacnet.dll” file can be obtained from:

► For WP-8x3x series:

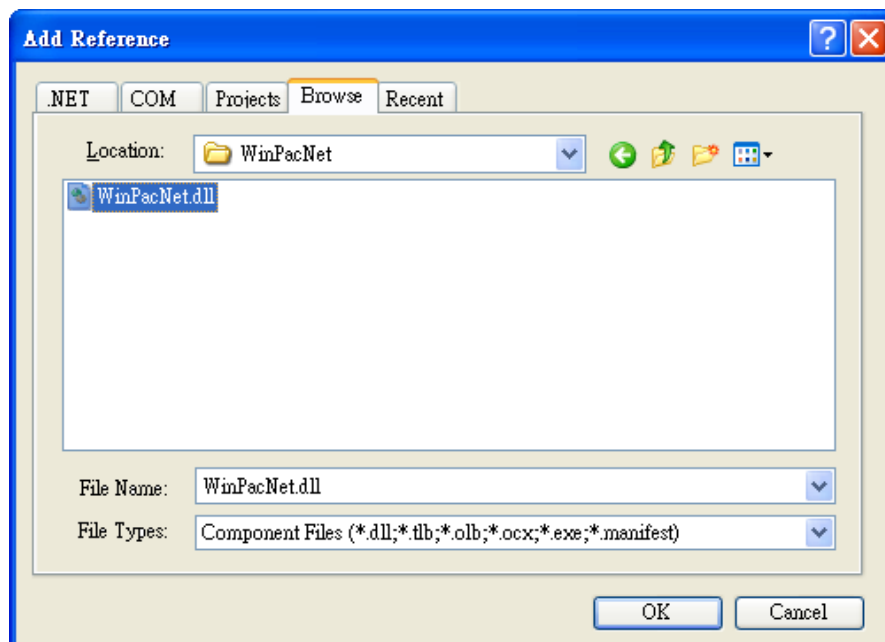
CD:\Napdos\wp-8x3x_ce50\SDK\WinPacNet\

http://ftp.icpdas.com/pub/cd/winpac/napdos/wp-8x3x_ce50/sdk/winpacnet/

► For WP-8x4x series:

CD:\Napdos\wp-8x4x_ce50\SDK\WinPacNet\

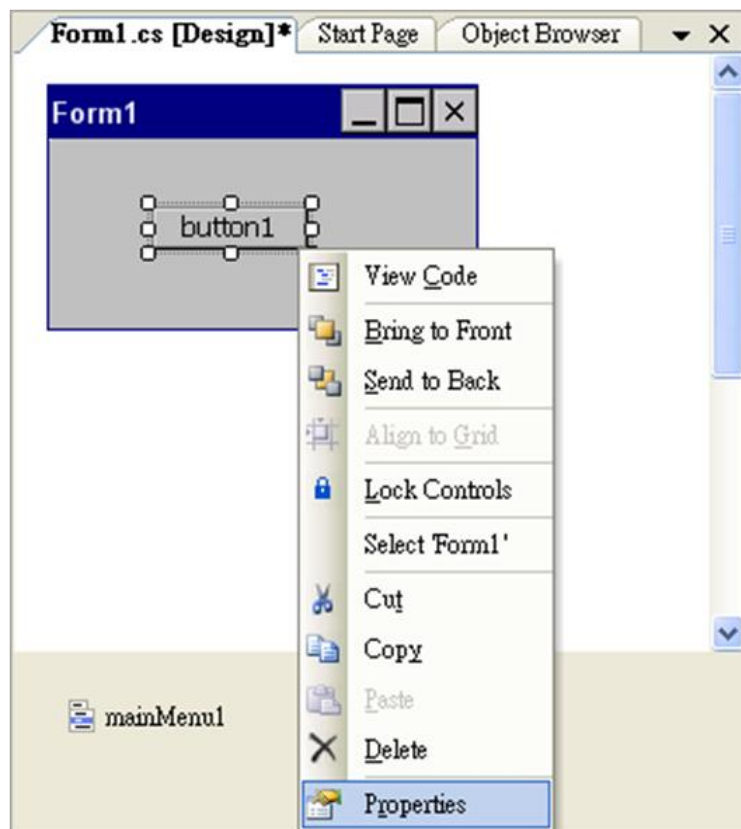
http://ftp.icpdas.com/pub/cd/winpac/napdos/wp-8x4x_ce50/sdk/winpacnet/



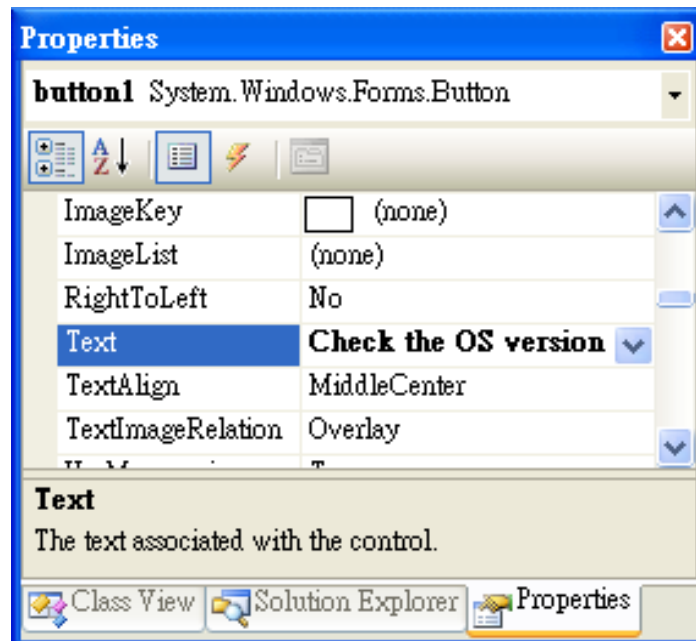
4.4.3. Design and Build an application program

Step 1:  Add a “button” object in the “Form1” dialog box

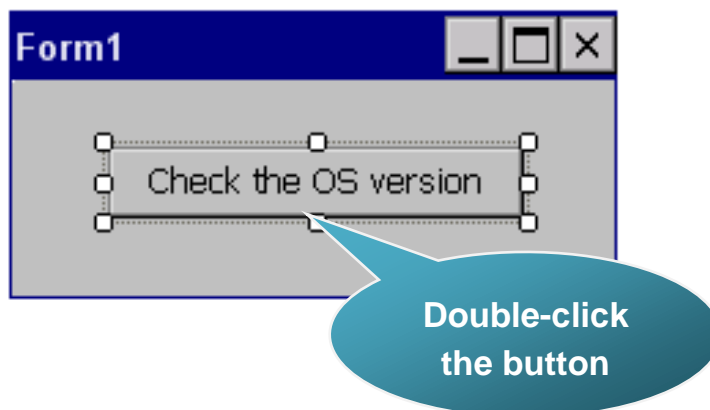
Step 2: Right-click the “button” object and click the “Properties” command



Step 3: On the “Properties” window, type “Check the OS version” in the “Text” edit box



Step 4: In the “Form1” dialog box, double-click the button” object to open the editor window



Step 5: Insert the “using WinPACNet;” into the header area after “using System.Windows.Forms;”

```
using System;
using System.Collections.Generic;
using System.ComponentModel;
using System.Data;
using System.Drawing;
using System.Text;
using System.Windows.Forms;
using WinPacNet;

namespace systeminfo
{
    public partial class Form1 : Form
    {
        public Form1()
    }
}
```

Tips & Warnings



The “WinPacNet” of “using WinPacNet” is case- sensitive

Step 6: Insert the following code in the Editor Window

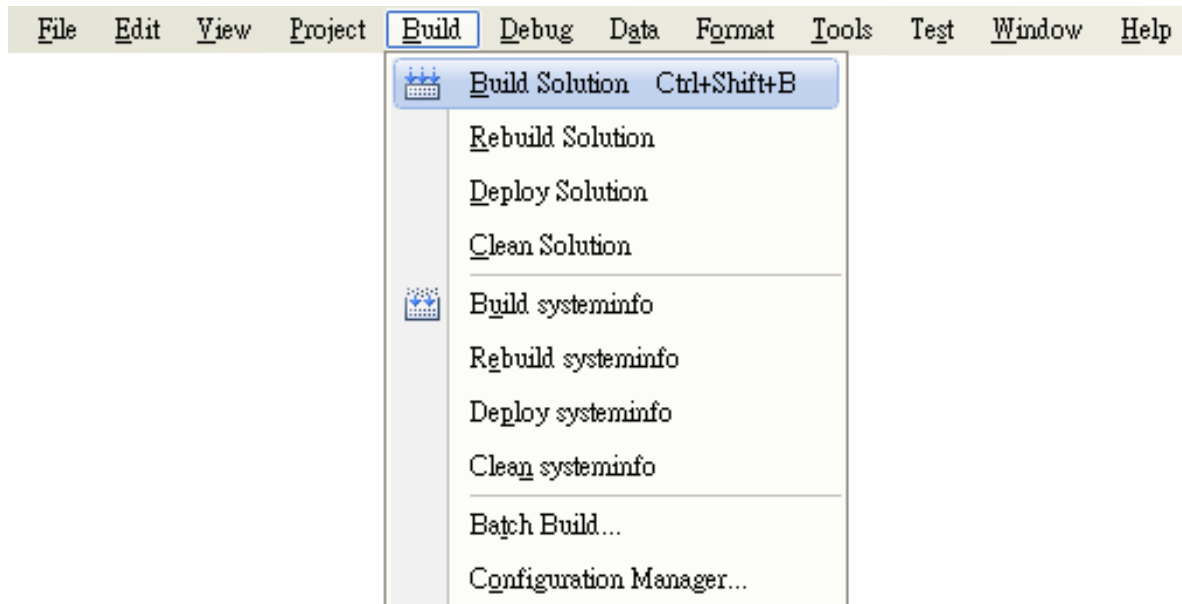
```
MessageBox.Show(WinPAC.pac_GetOSVersion());
```

```
namespace systeminfo
{
    public partial class Form1 : Form
    {
        public Form1()
        {
            InitializeComponent();
        }

        private void button1_Click(object sender, EventArgs e)
        {
            MessageBox.Show(WinPAC.pac_GetOSVersion());
        }
    }
}
```

4.4.4. Execute the application on the WinPAC

Step 1: On the “Build” menu, click the “Build Solution” command



Step 2: Open the web browser and type the IP address to connect the FTP server of WinPAC

Step 3: Upload the “systeminfo.exe” application and the corresponding “Winpacnet.dll” file to the WinPAC via the WinPAC FTP server

Tips & Warnings



For applications programming in C# and VB.net with .net framework, when executing these application on the WinPAC controller, the corresponding “Winpacnet.dll” file must be in the same directory as the .exe file



Step 4: On the WinPAC, execute the uploaded file



4.5. Your First Program in VB.net

To create a demo program with C# development tool includes the following main steps:

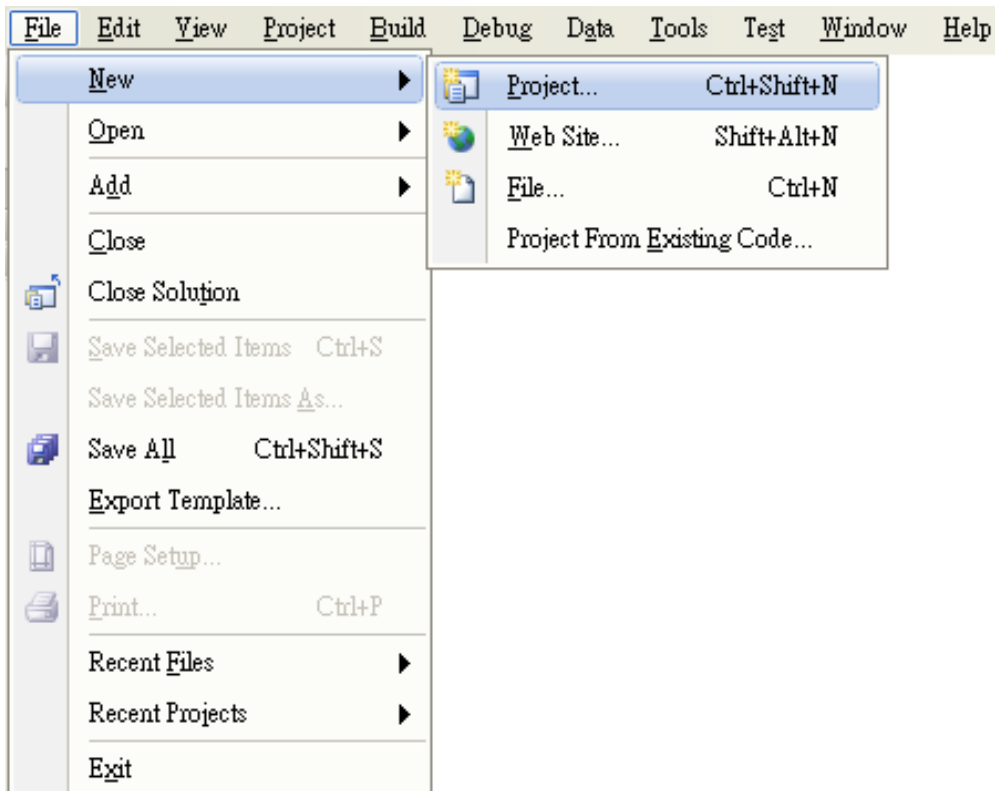
1. Create a new project
2. Add project reference for an application
3. Design and Build an application program
4. Execute the application on the WinPAC

All main steps will be described in the following subsection.

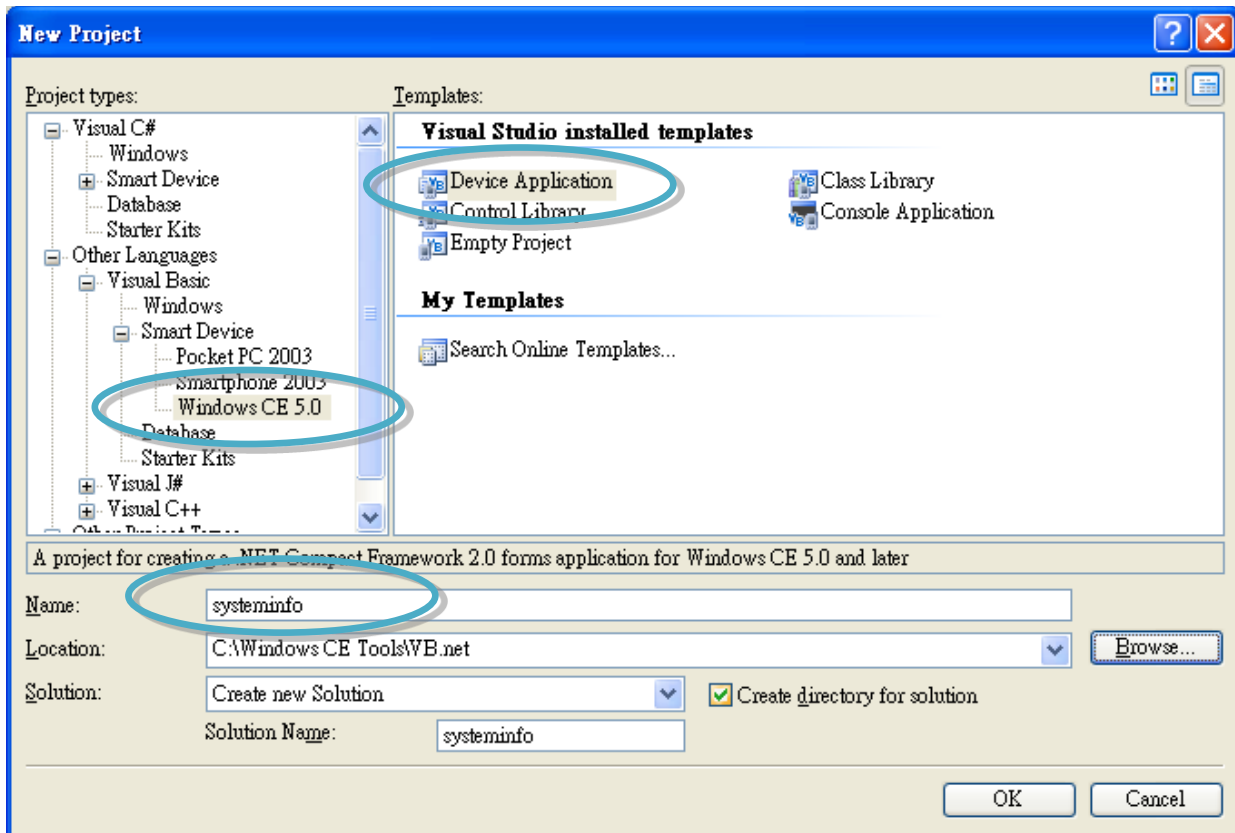
4.5.1. Create a new project

Step 1: Start the Visual Studio 2005

Step 2: On the “File” menu, select the “New” command, and then click the “Project” command



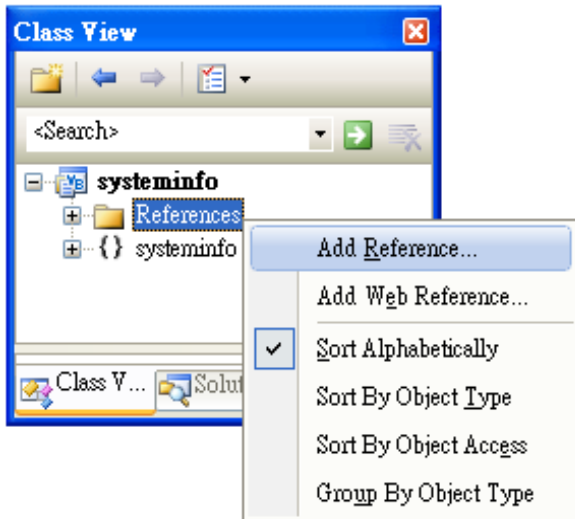
Step 3: In the “New Project” dialog box do the following in this order



Step 4: Click OK to start creating a “systeminfo” project

4.5.2. Add project reference for an application

Step 1: On the “Class View” window, right-click the “Reference” and then click the “Add Reference...” command



Step 2: In the “Add Reference” dialog box, select the “Browse” tab, and then specify the directory of the “Winpacnet.dll” file in the “File name” field

The “winpacnet.dll” file can be obtained from:

➤ For WP-8x3x series:

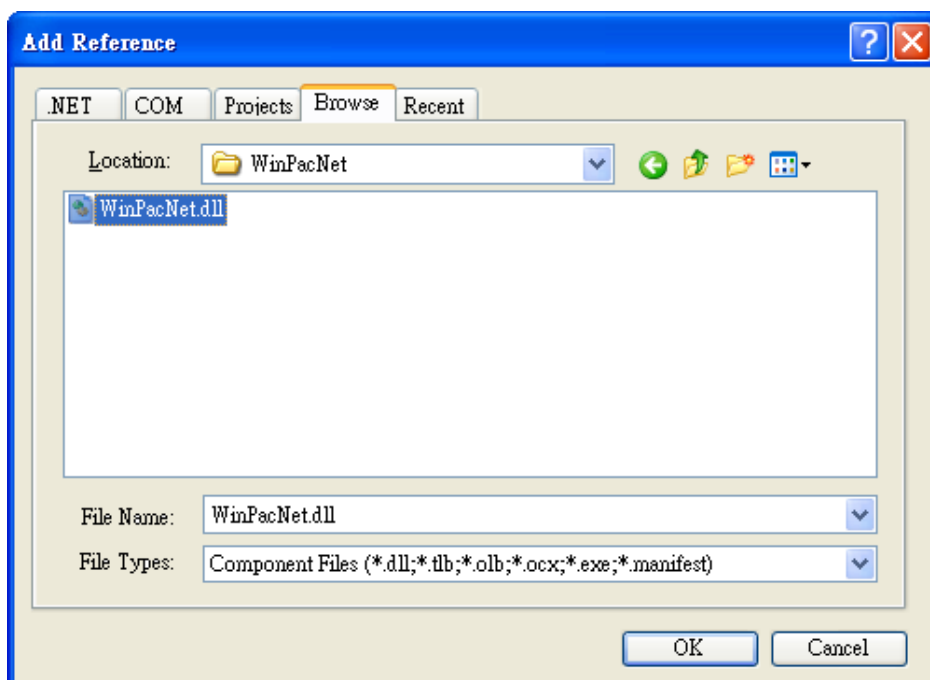
CD:\Napdos\wp-8x3x_ce50\SDK\WinPacNet\

http://ftp.icpdas.com/pub/cd/winpac/napdos/wp-8x3x_ce50/sdk/winpacnet/

➤ For WP-8x4x series:

CD:\Napdos\wp-8x4x_ce50\SDK\WinPacNet\

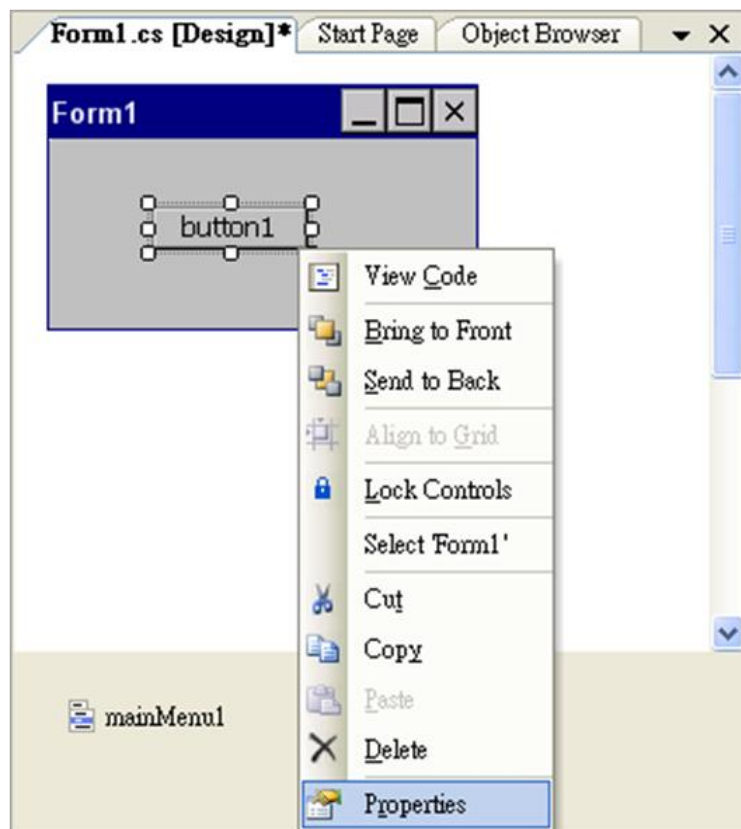
http://ftp.icpdas.com/pub/cd/winpac/napdos/wp-8x4x_ce50/sdk/winpacnet/



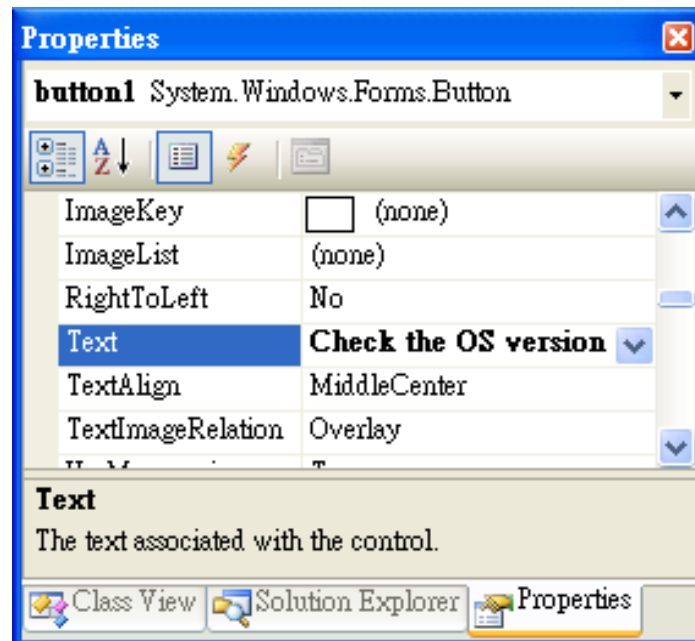
4.5.3. Design and Build an application program

Step 1:  Add a “button” object in the “Form1” dialog box

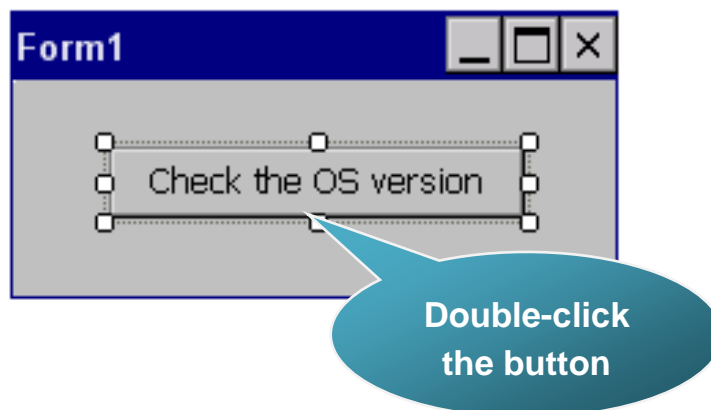
Step 2: Right-click the “button” object and click the “Properties” command



Step 3: On the “Properties” window, type “Check the OS version” in the “Text” edit box



Step 4: In the “Form1” dialog box, double-click the button” object to open the editor window



Step 5: Insert the following code in the Editor Window

1. Imports WinPacNet
2. MessageBox(WinPAC.pac_GetOSVersion())

1

```
Imports WinPacNet
```

```
Public Class Form1
```

```
Private Sub Button1_Click(ByVal sender As System.Object,
```

2

```
EventArgs) As EventArgs
```

```
    MessageBox.Show(WinPAC.pac_GetOSVersion())
```

```
End Sub
```

```
End Class
```

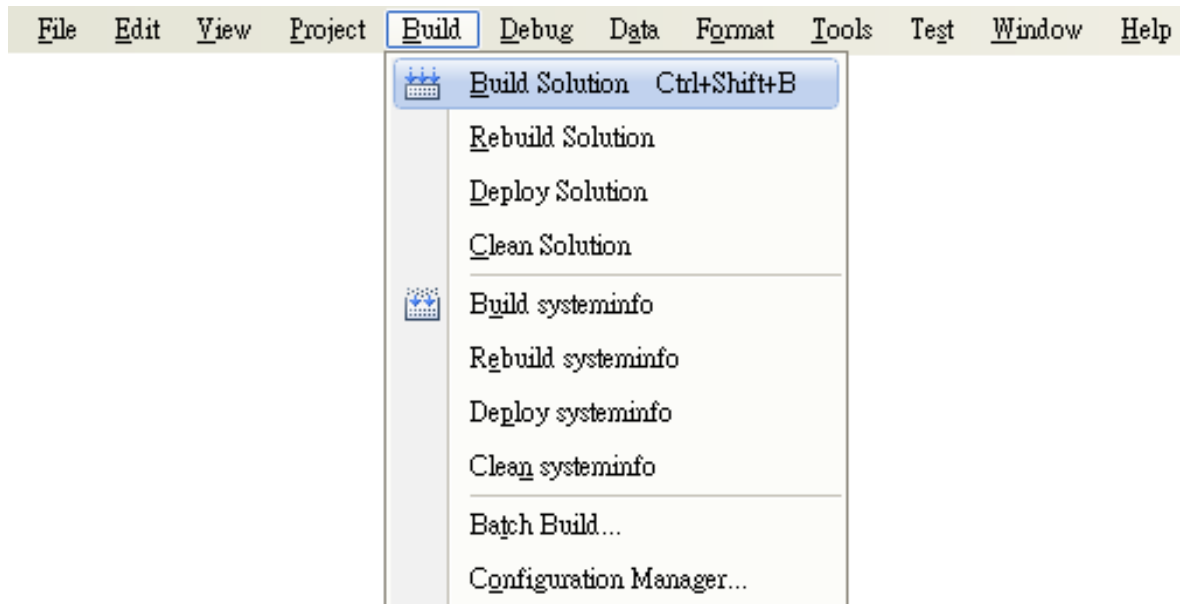
Tips & Warnings



The “WinPacNet” of “Imports WinPacNet” is case- sensitive

4.5.4. Execute the application on the WinPAC

Step 1: On the “Build” menu, click the “Build Solution” command-



Step 2: Open the web browser and type the IP address to connect the FTP server of WinPAC

Step 3: Upload the “systeminfo.exe” application and the corresponding “Winpacnet.dll” file to the WinPAC via the WinPAC FTP server

Tips & Warnings



For applications programming in C# and VB.net with .net framework, when executing these application on the WinPAC controller, the corresponding “Winpacnet.dll” file must be in the same directory as the .exe file



Step 4: On the WinPAC, execute the uploaded file



4.6. Your First Program in eMbedded Visual C++

To create a demo program with eMbedded Visual C++ development tool includes the following main steps:

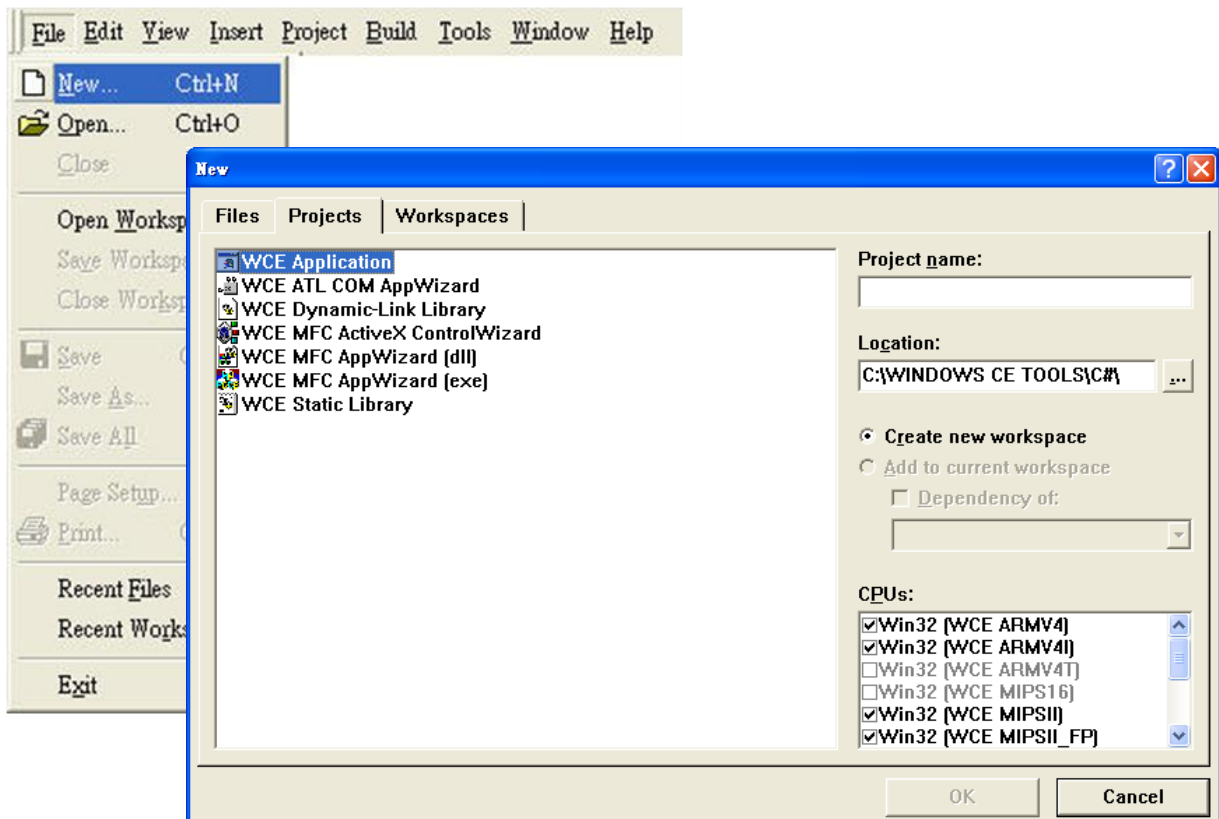
1. Create a new Forms-Based project
2. Configure compiler options
3. Design and Build an application program
4. Execute the application on the WinPAC

All main steps will be described in the following subsection.

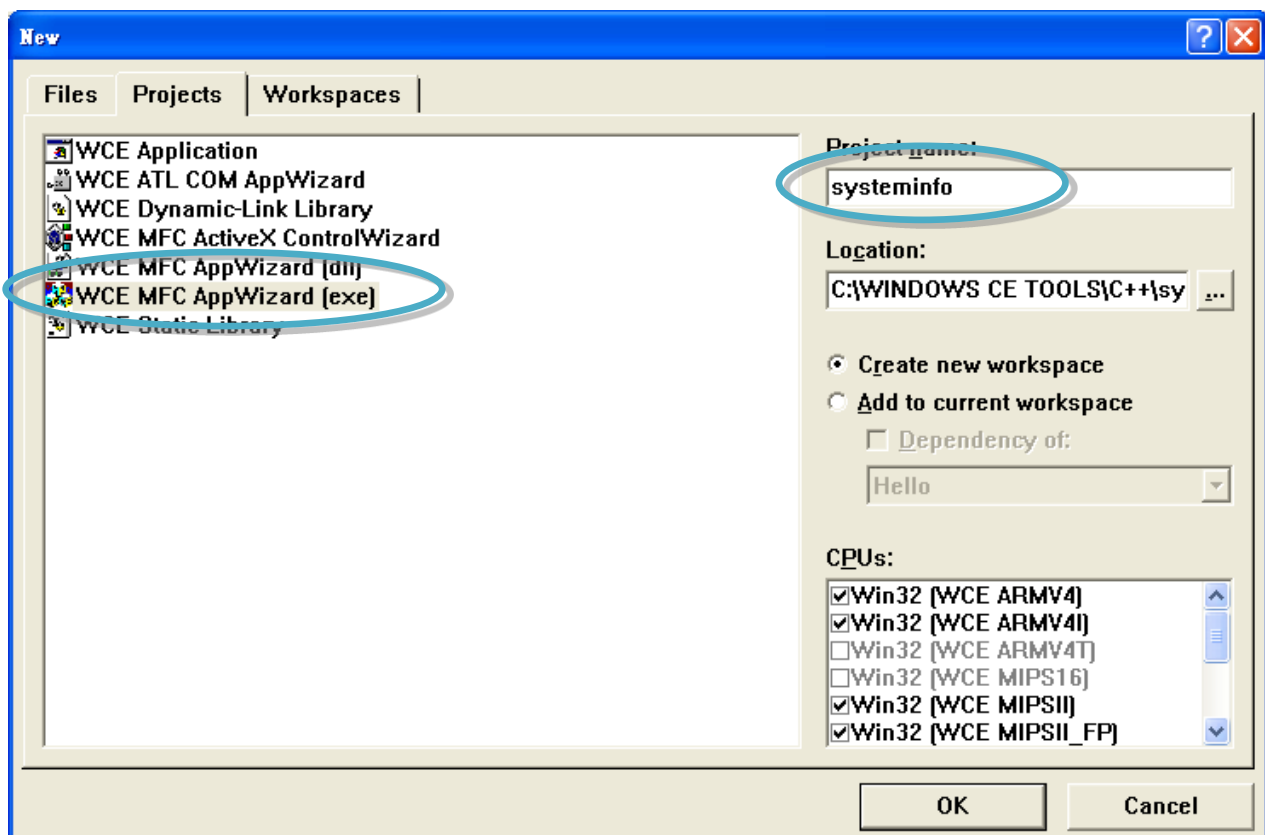
4.6.1. Create a new Forms-Based project

Step 1: Start the Microsoft Embedded Visual C++

Step 2: From the “File” menu, click the “New” command



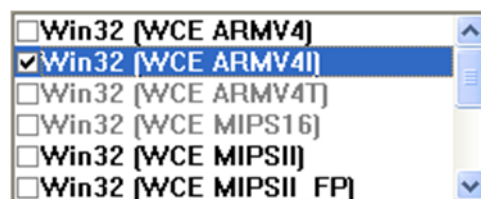
Step 3: In the “New” dialog, select the “Projects” tab and do the following in this order



Tips & Warnings

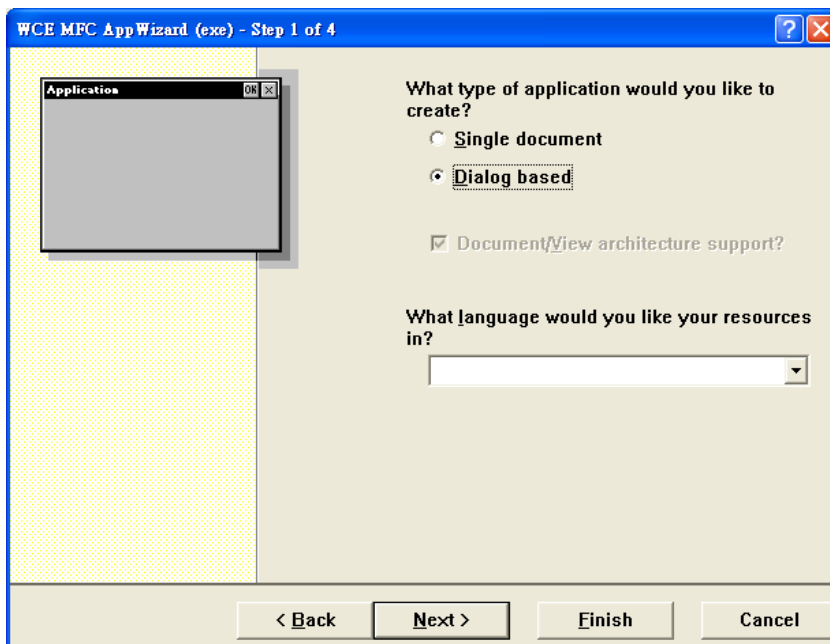


The selected CPU type must have “Win32 [WCE ARMV4I]”

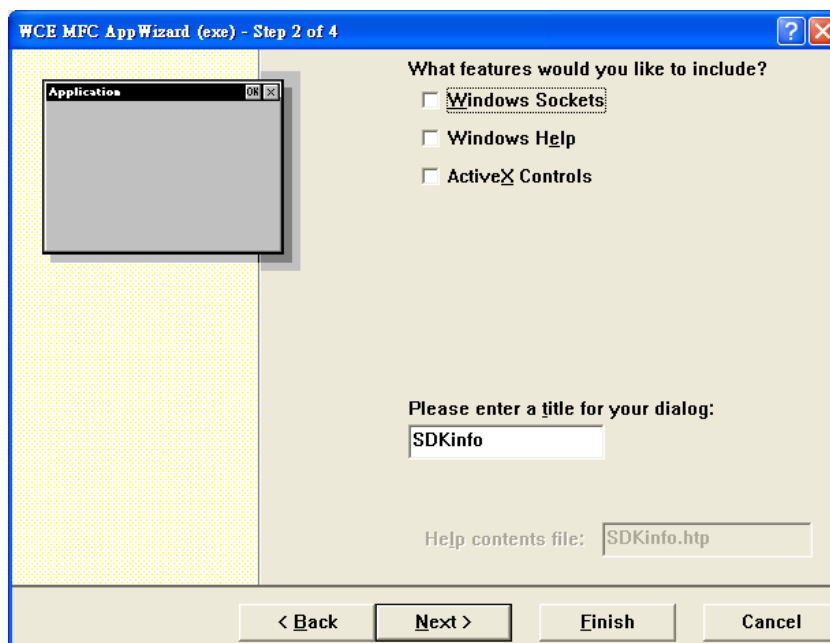


Step 4: Click the “OK” button to start the wizard

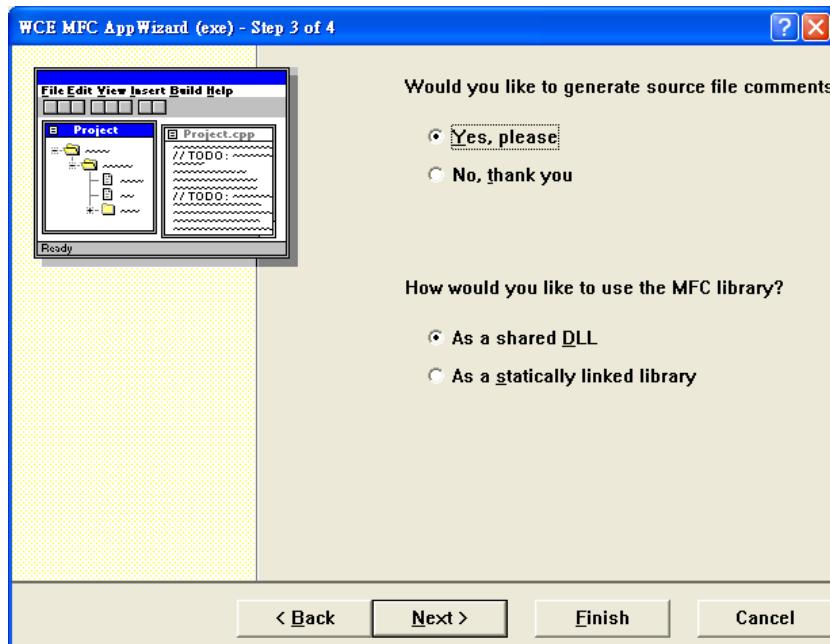
Step 5: On the first page of the wizard, select “Dialog based” option and then click the “Next” button to the next step



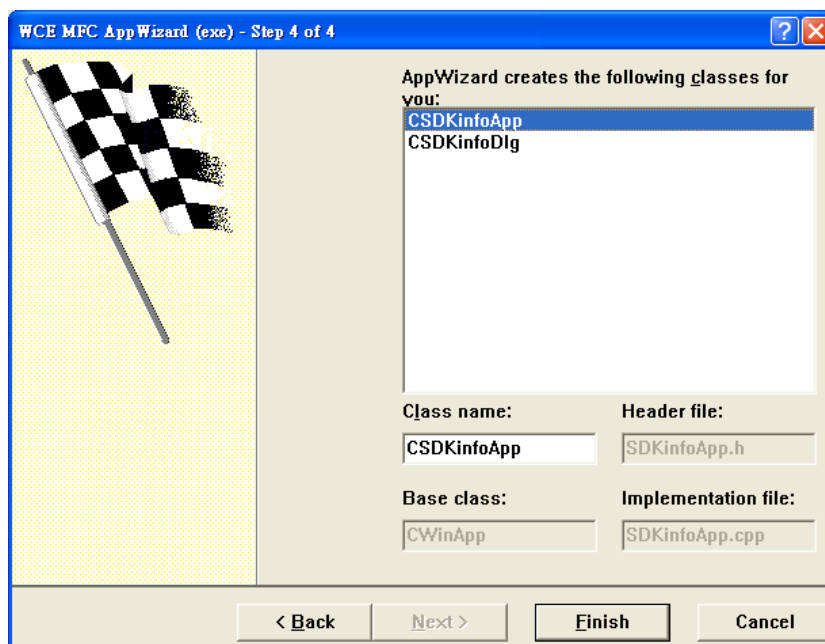
Step 6: On the next page of the wizard, leave all the options as they are, and then click the “Next” button to the next step



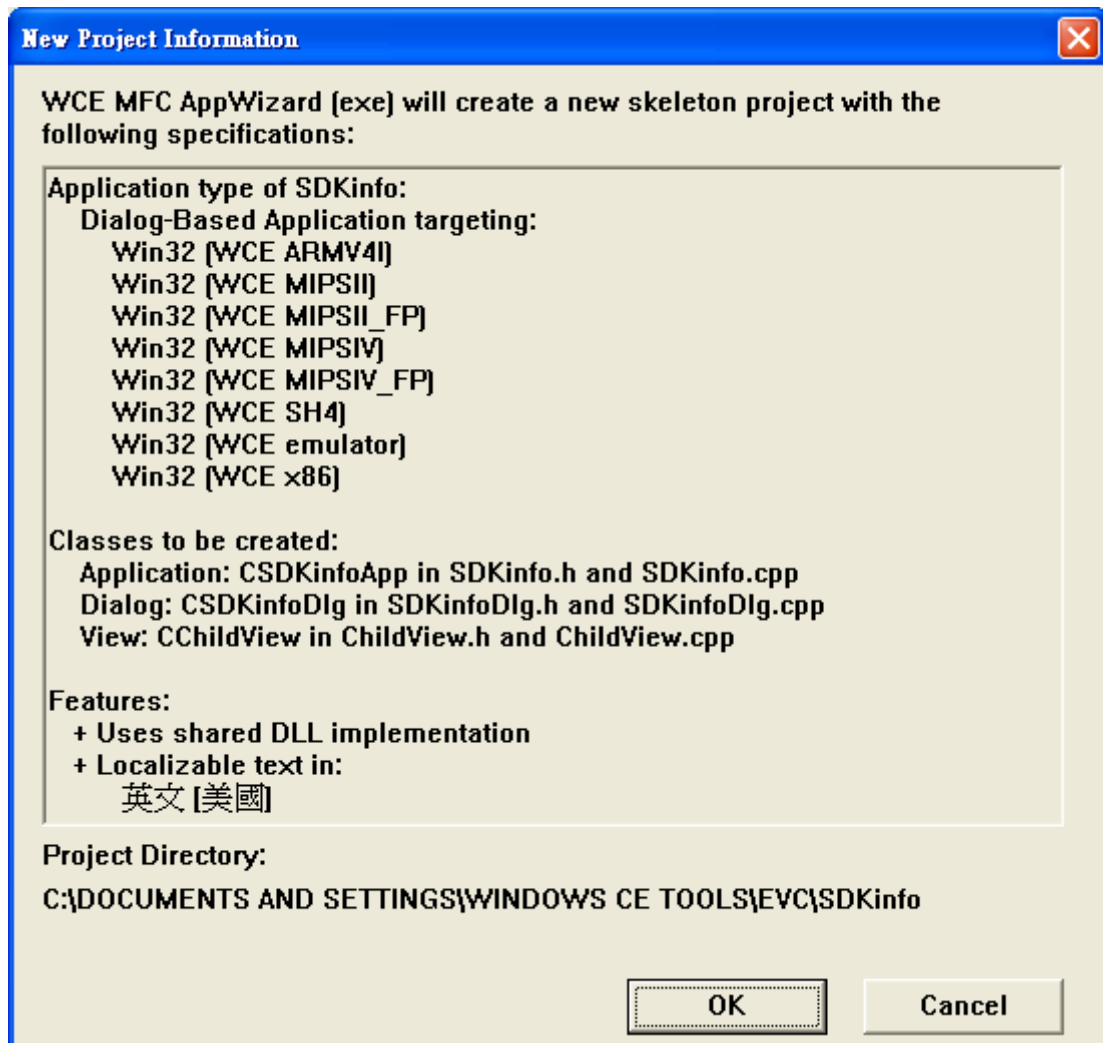
Step 7: On the next page of the wizard, leave all the options as they are, and then click the “Next” button to the next step



Step 8: On the next page of the wizard, leave all the options as they are, and then click the “Finish” button to complete the wizard

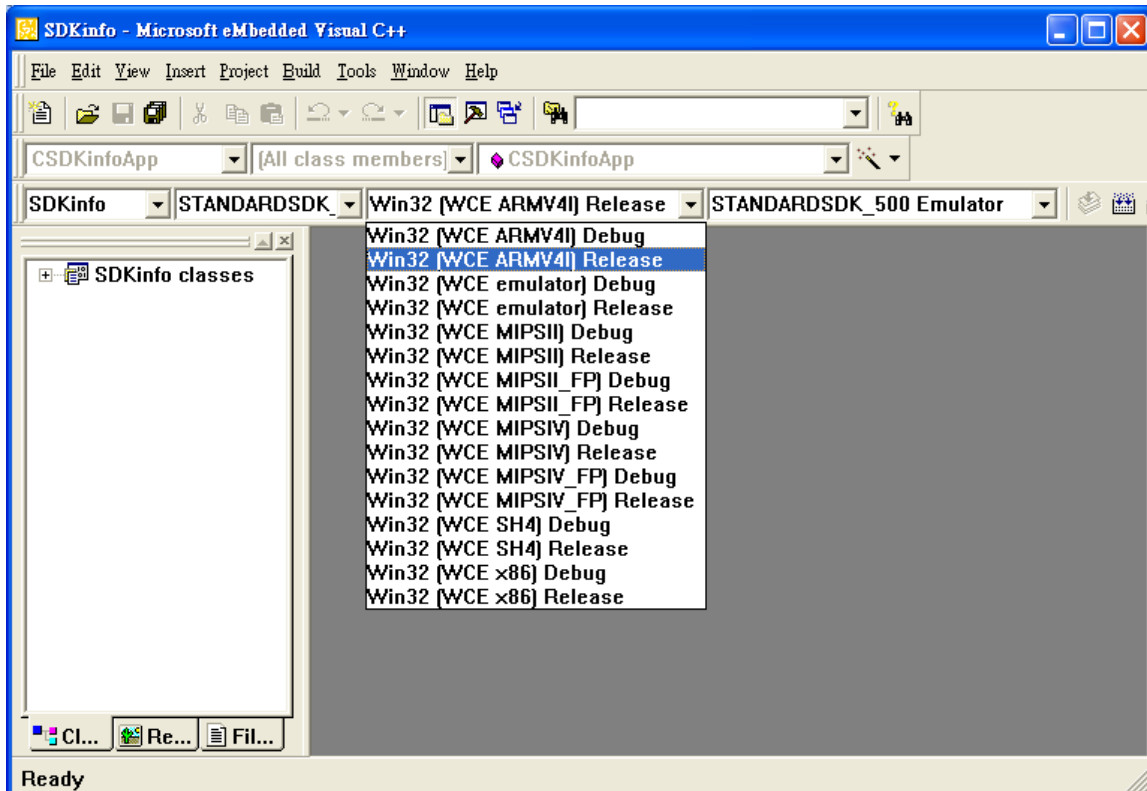


Step 9: The final summary appears, click the “OK” button to exit the wizard



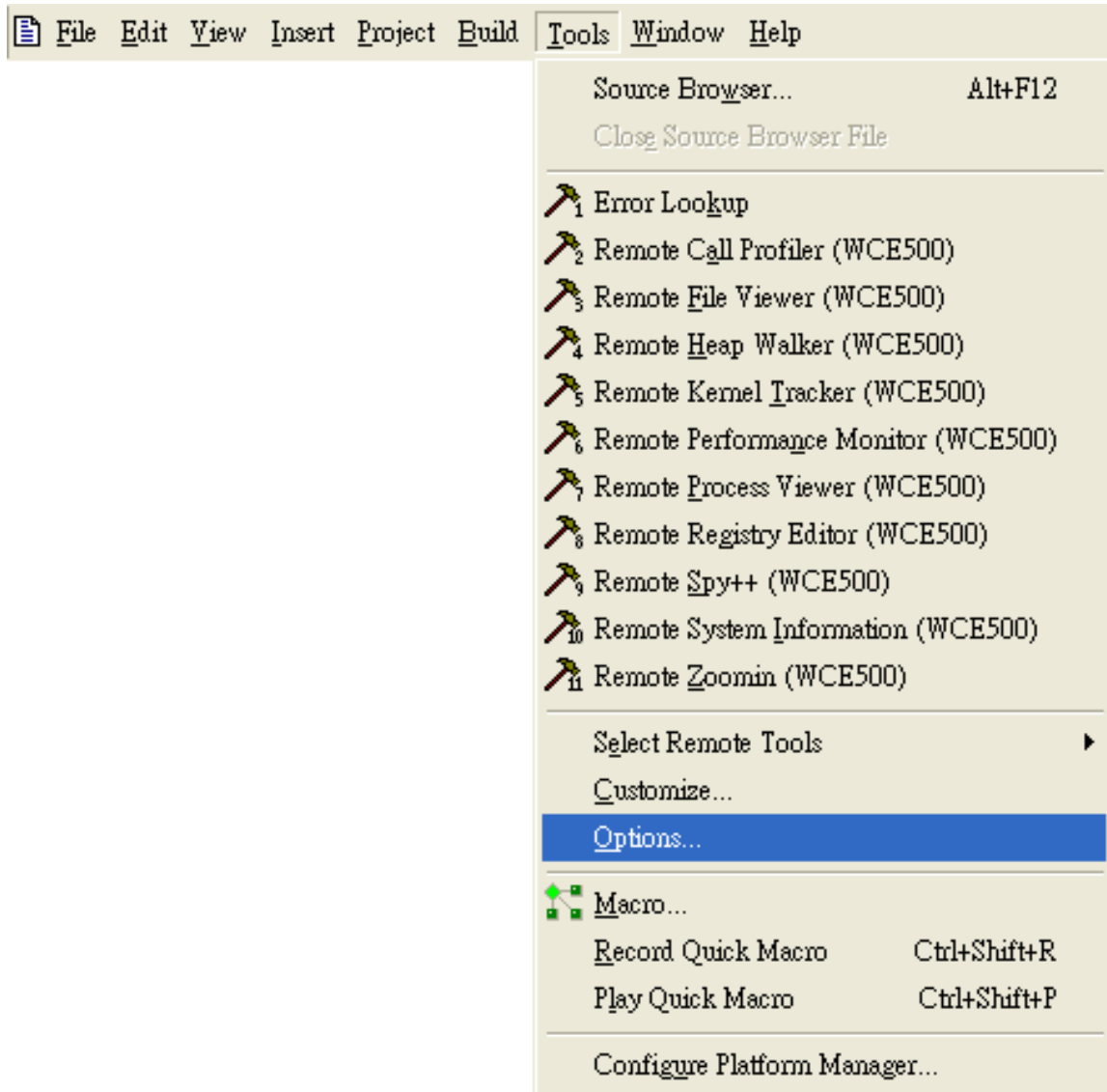
4.6.2. Configure compiler options

On the WCE configuration toolbar, select the “Win32 [WCE ARMV4] Release”



4.6.3. Specify the path for project reference

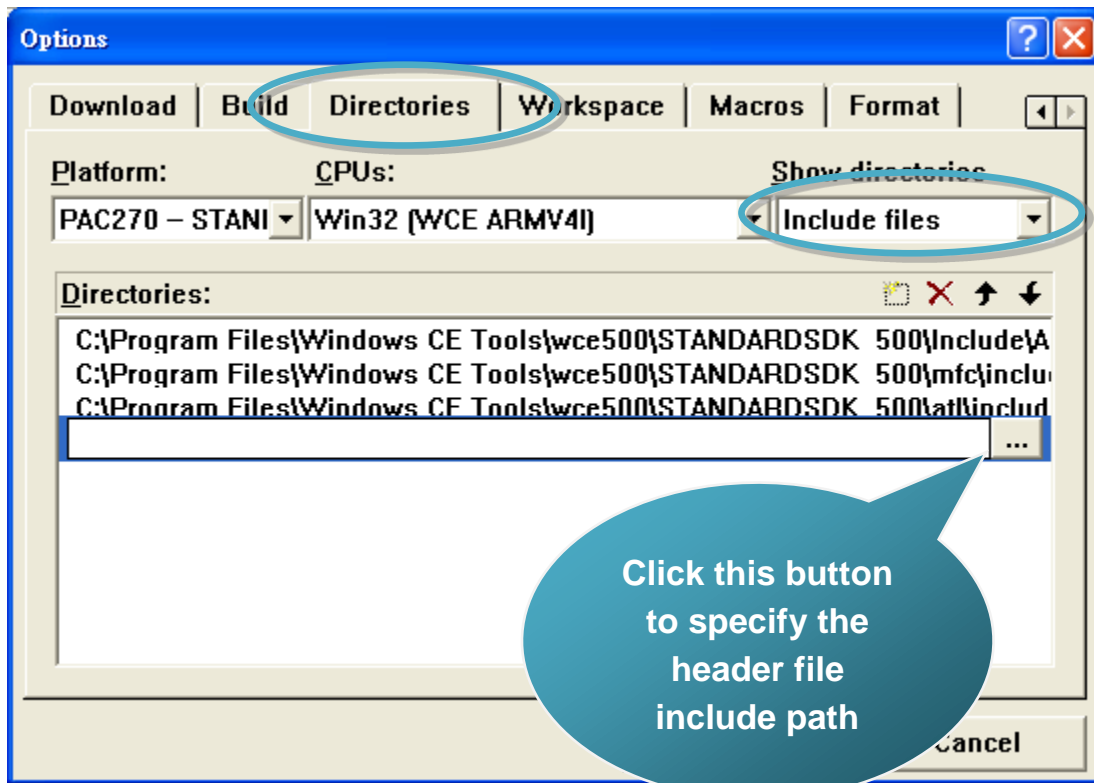
Step 1: Click the “Options...” command from the “Tools” menu



Step 2: In the “Option” dialog, select the “Directories” tab and do the following in this order to specify the header file include path

The specified include path of the header file is default located at:

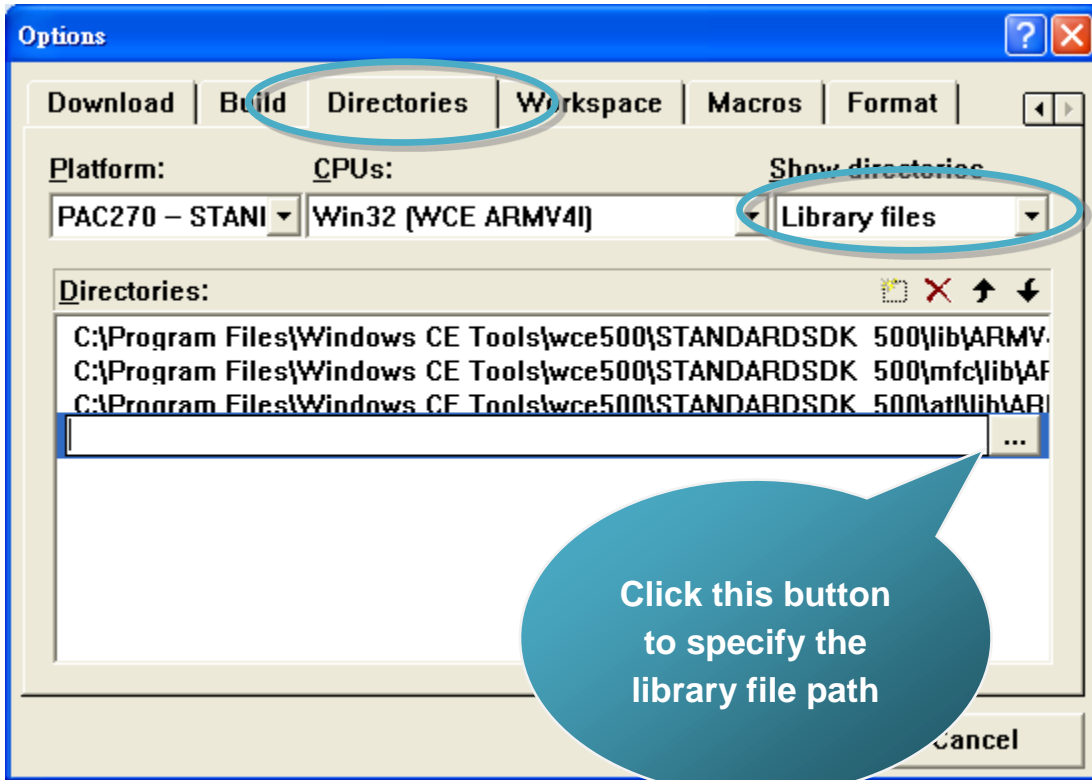
C:\Program Files\Windows CE Tools\wce500\PAC270\Icpdas\Include\ARMV4\



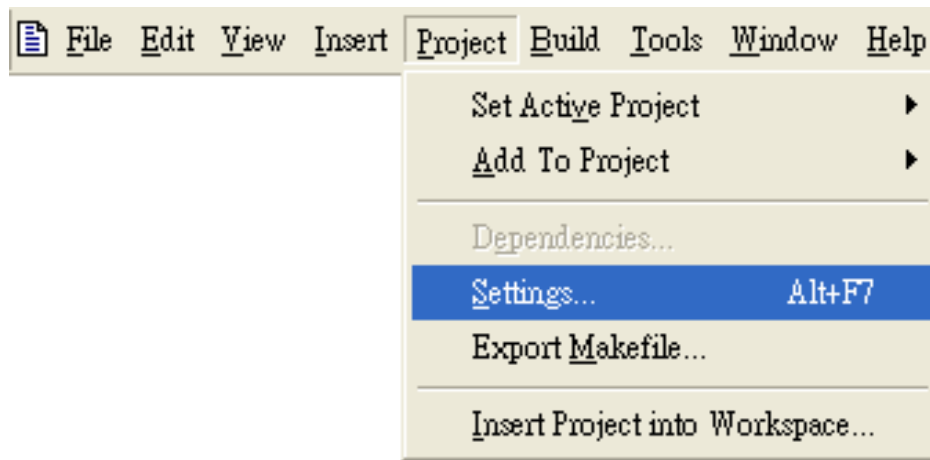
Step 3: In the “Option” dialog, select the “Directories” tab and do the following in this order to specify the library file path

The specified include path of the library file is default located at:

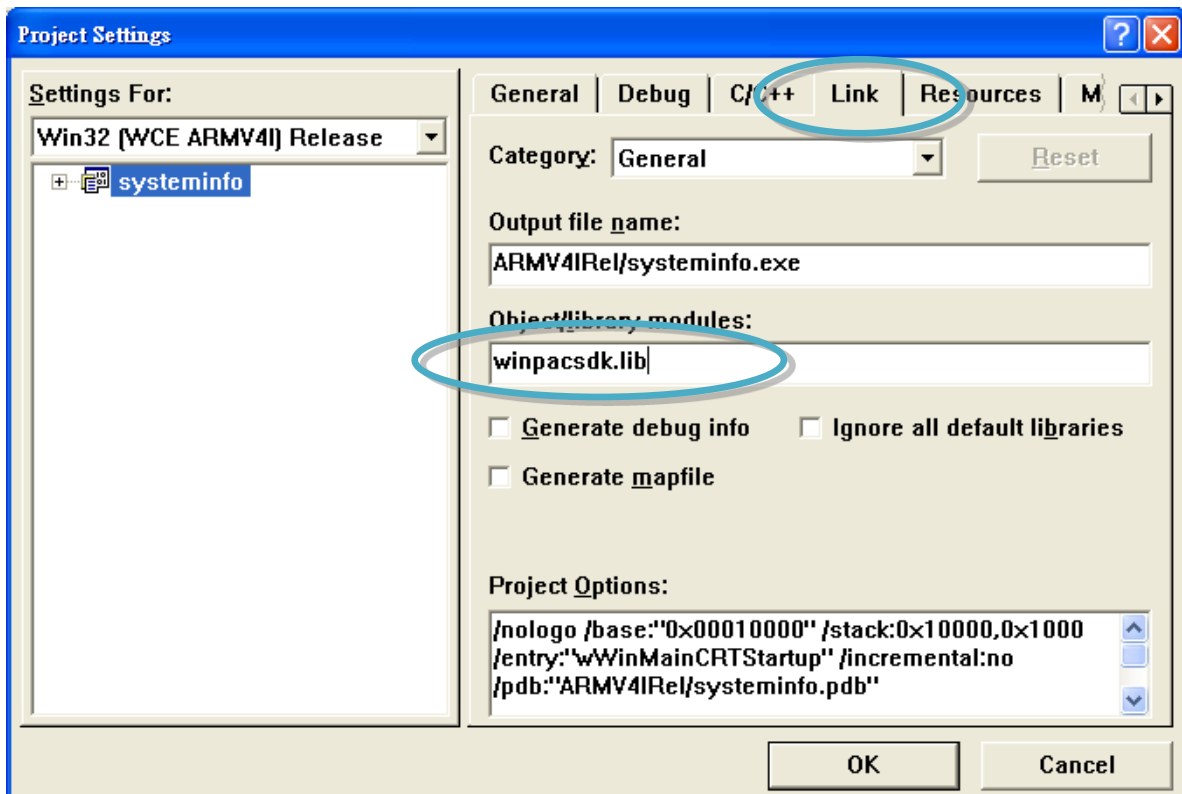
C:\Program Files\Windows CE Tools\wce500\PAC270\Icpdas\Lib\ARMV4I\



Step 4: Click the “Settings...” command from the “Project” menu



Step 5: In the “Project Settings” dialog box do the following in this order

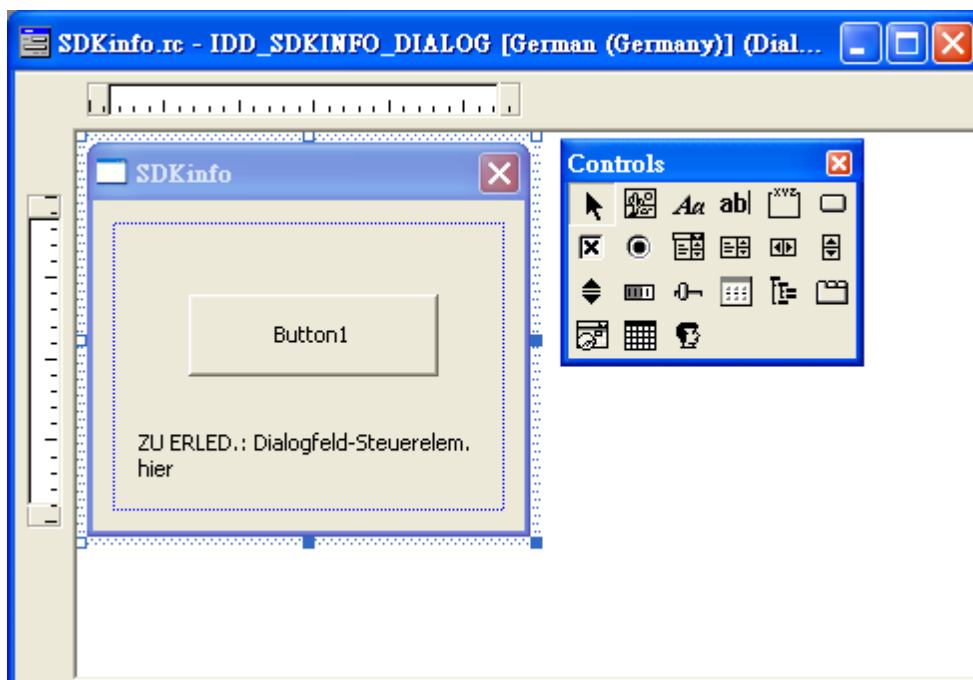


4.6.4. Design and Build an application program

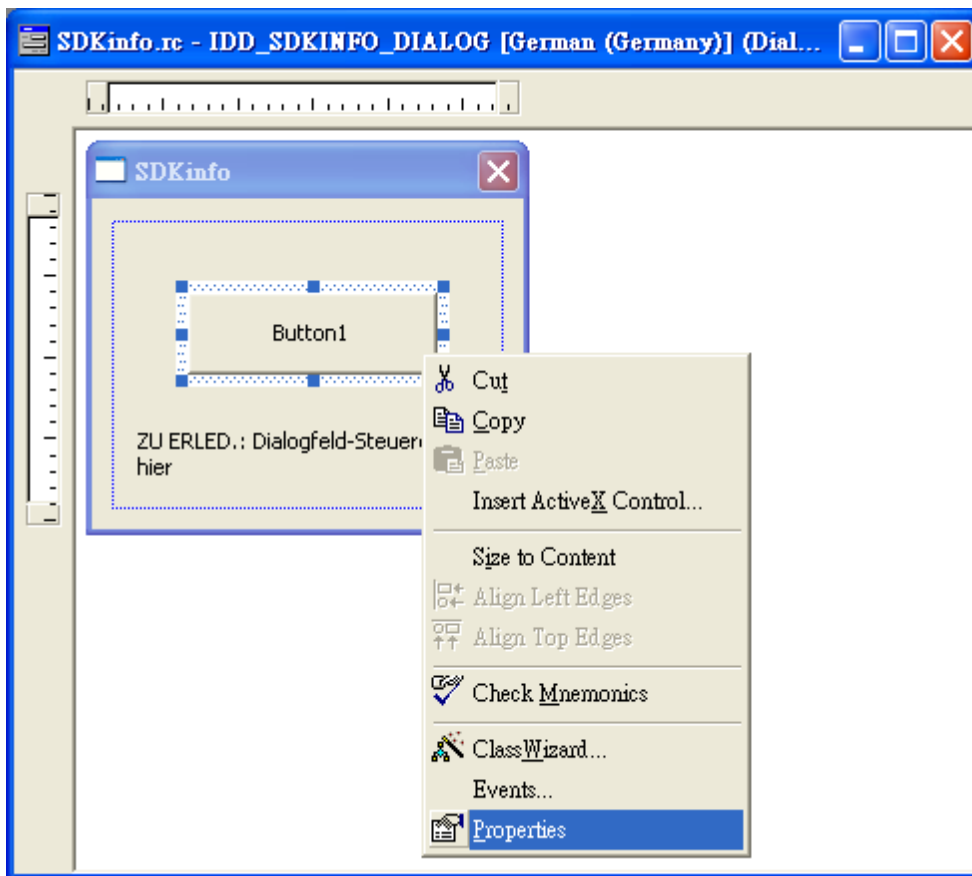
Step 1: On the “Workspace” window, select the “ResourceView” tab and expand the “dialog” folder, and then double-click the “IDD_DEMO_DIALOG” to open the dialog box



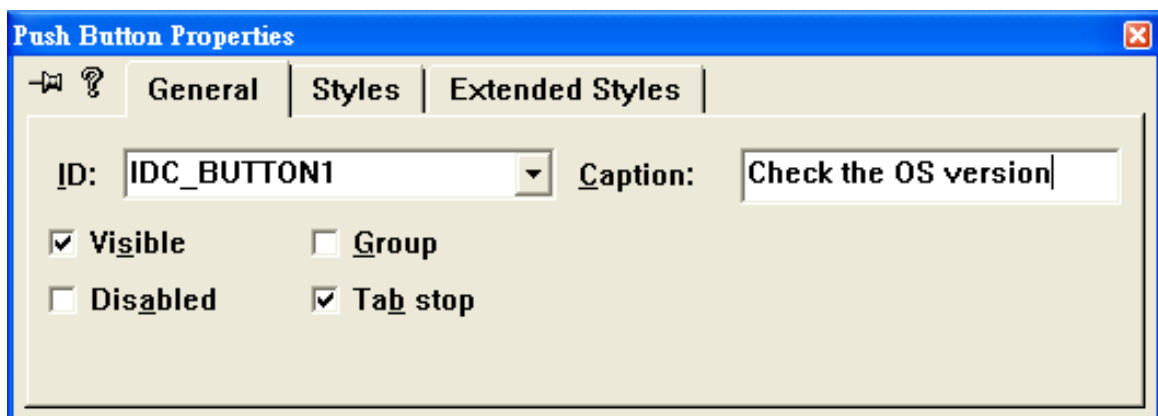
Step 2: Add the “button” object in the “systeminfo” dialog box



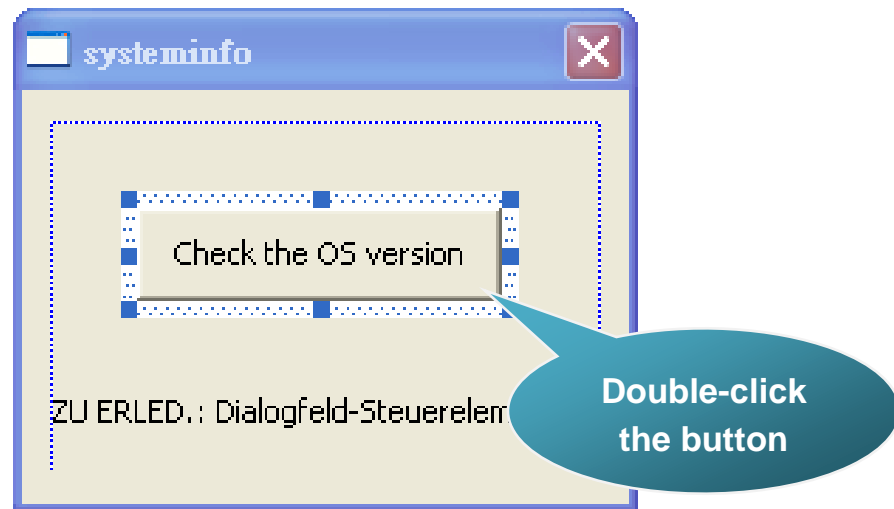
Step 3: In the “systeminfo” dialog box, right-click the button object and then click the “Properties” command



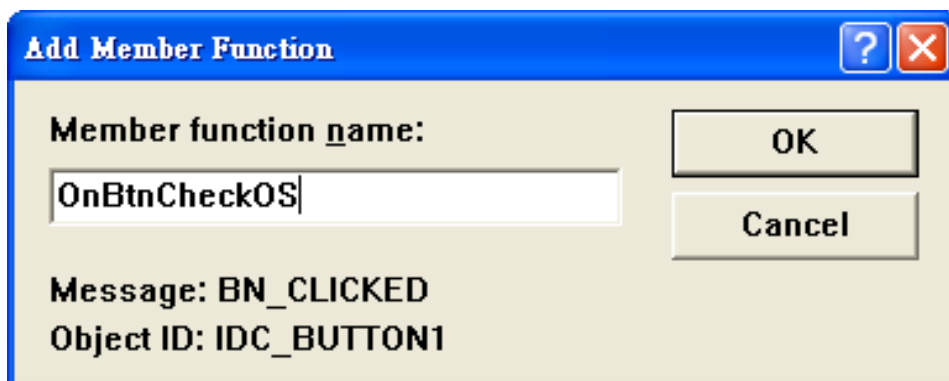
Step 4: Type the “Check the OS version” in the “Caption” edit box and then click  the “close” button



Step 5: In the “systeminfo” dialog box, double-Click the button object



Step 6: Type the “OnBtnCheckOS” in the “Member function name” edit box and then click the “OK” button



Step 7: Insert the following code into the Editor Window

```
char OS[32];
TCHAR buf[32];
pac_GetOSVersion(OS);
pac_AnsiToWideString(OS, buf);
MessageBox(buf,0,MB_OK);

    return TRUE; // return TRUE unless you
}

void CSysteminfoDlg::OnBtnCheckOS()
{
    // TODO: Add your control notification ha
    char OS[32];
    TCHAR buf[32];
    pac_GetOSVersion(OS);
    pac_AnsiToWideString(OS, buf);
    MessageBox(buf,0,MB_OK);
}

```

Step 8: Insert the “#include “winpacsdk.h”” into the header area

```
#include "stdafx.h"
#include "systeminfo.h"
#include "systeminfoDlg.h"

#include "winpacsdk.h"

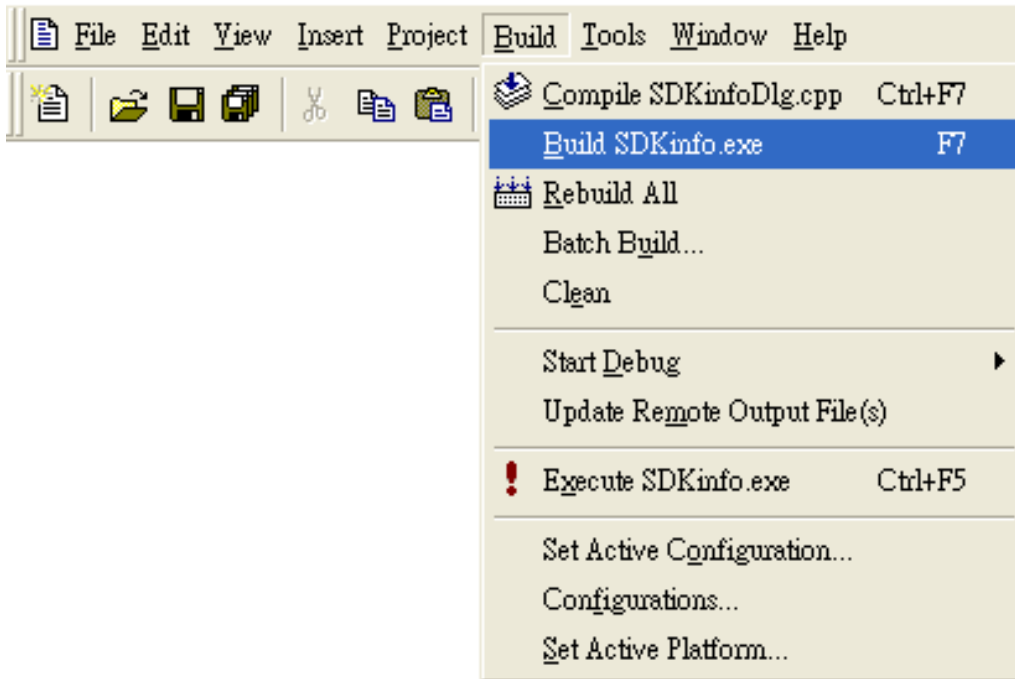
#ifdef _DEBUG
#define new DEBUG_NEW
#undef THIS_FILE
static char THIS_FILE[] = __FILE__;
#endif

////////////////////////////////////
// CSysteminfoDlg dialog

```

4.6.5. Execute the application program on WinPAC

Step 1: On the “Build” menu, click the “Build systeminfo.exe” command

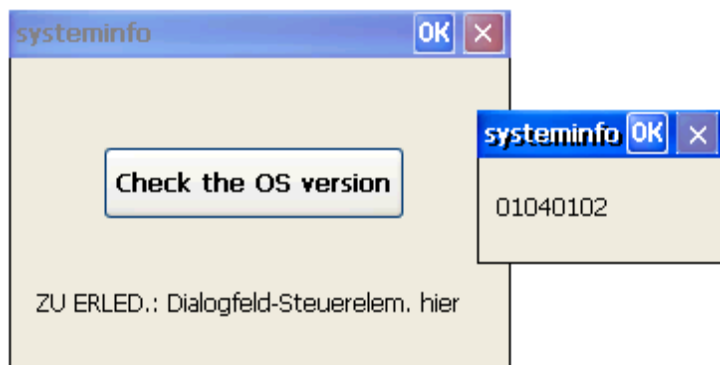


Step 2: Open the web browser and type the IP address to connect the FTP server of WinPAC

Step 3: Upload the “systeminfo.exe” application to the WinPAC via the WinPAC FTP server



Step 4: On the WinPAC, execute the uploaded file



5. APIs and Demo References

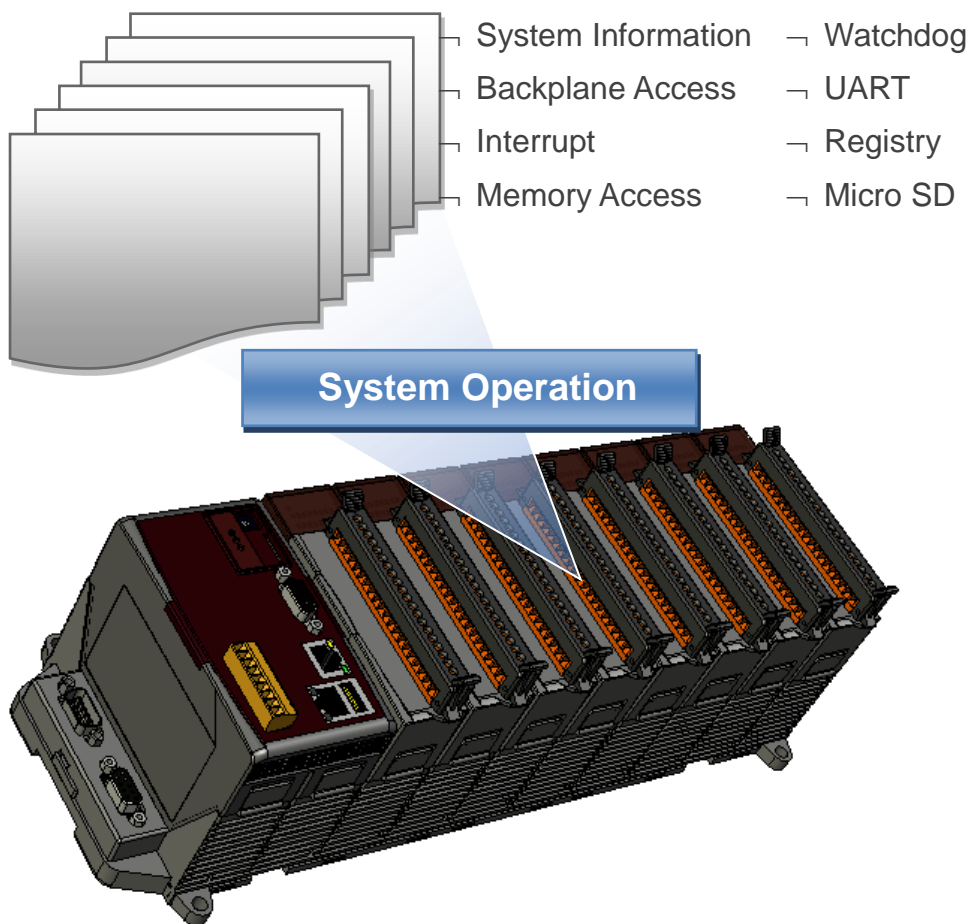
This chapter introduces demo programs that have been designed for the WinPAC. You can examine the demo source code, which includes numerous comments, to familiarize yourself with the WinPAC API. This will allow developing your own applications quickly by modifying these demo programs. The following details the contents of the WinPAC demo programs.

5.1. Demo programs with C#

The following C# demos have been designed to demonstrate the various features of the WinPAC.

5.1.1. C# Demo programs for WinPAC Standard API

The table below describes the WinPAC demos that have been designed to demonstrate the standard operation features of the WinPAC.



WinPAC Standard API:

Folder	Demo	Explanation
system	systeminfo	Retrieves information about the OS version, CPU version, SDK version, etc.
backplane	backplaneinfo	Retrieves information about the DIP switch, backplane ID and slot count.
memoryaccess	memory	Shows how to read/write date values from/to EEPROM
	battery_backup_sram	Shows how to read or write to the battery backup
watchdog	watchdog	Displays how the watchdog operate
microsd	microsd_management	Shows how to enables/disables Micro SD
registry	registry	Shows how to read/write date values from/to registry
uart	diag	Shows how to read the name of local I/O modules via UART

For C# application, these demo programs can be obtained from:

➤ For WP-8x3x series

CD:\Napdos\wp-8x3x_ce50\Demo\WinPAC\DotNET\C#.NET\Standard\

ftp://ftp.icpdas.com/pub/cd/winpac/napdos/wp-8x3x_ce50/demo/winpac/dotnet/c%23.net/standard/

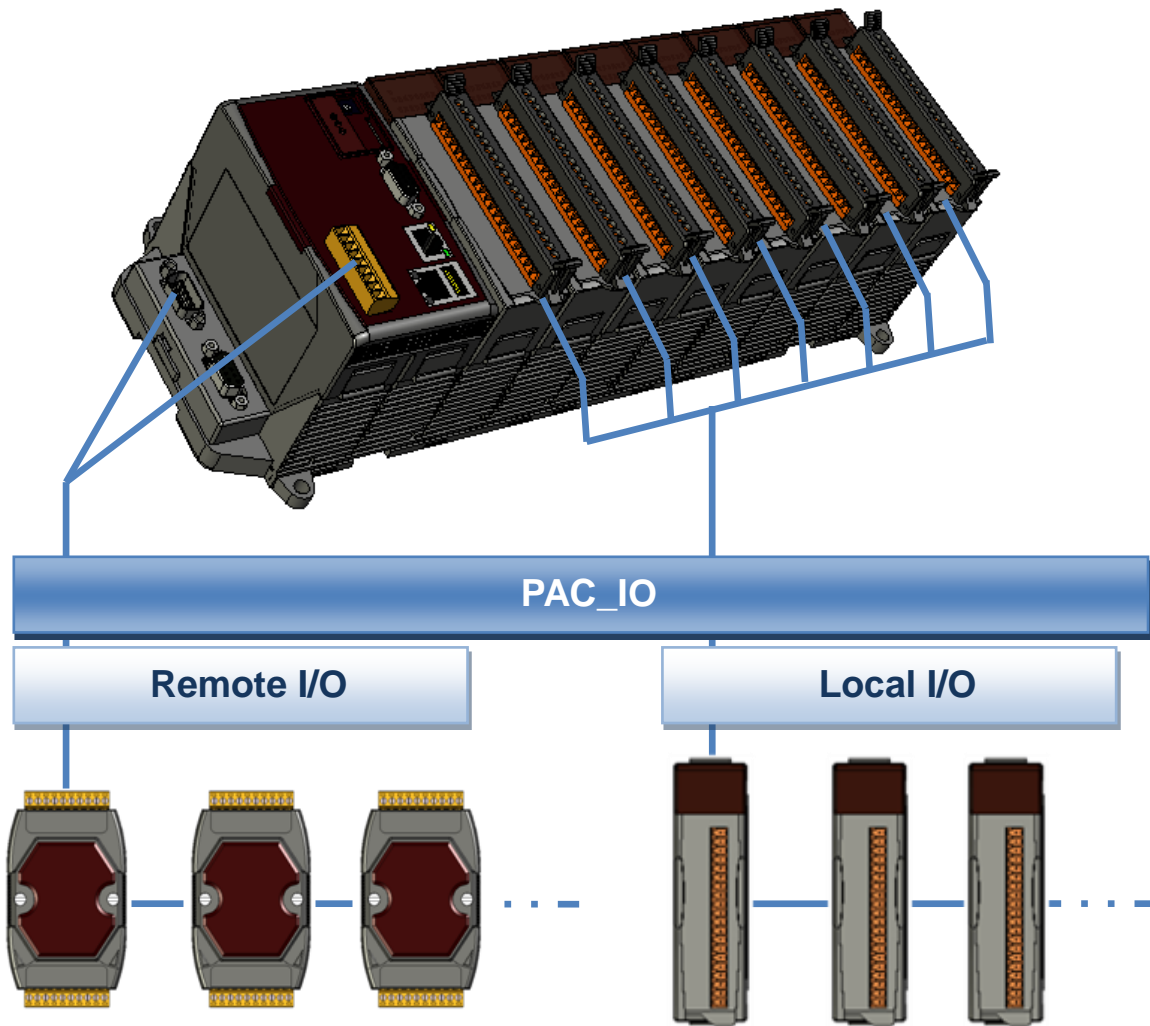
➤ For WP-8x4x series

CD:\Napdos\wp-8x4x_ce50\Demo\WinPAC\DotNET\C#.NET\Standard\

ftp://ftp.icpdas.com/pub/cd/winpac/napdos/wp-8x4x_ce50/demo/winpac/dotnet/c%23.net/standard/

5.1.2. C# Demo programs for PAC IO API

The table below describes the WinPAC demos that have been designed to demonstrate the expansion I/O module features of the WinPAC.



PAC IO API:

Folder	Demo	Explanation
Local	find_io	Shows how to retrieve the module names and types which plugged in the WinPAC.
	8k_di	Shows how to read the DI values of DI module. This demo program is used by 8K series DI modules.
	8k_do	Shows how to write the DO values to DO module. This demo program is used by 8K series DO modules.

Folder	Demo	Explanation
Remote	8k_dio	Shows how to read the DI and the DO values of the DIO module. This demo program is used by 8K series DIO modules.
	87k_basic	Shows how to send/receive a command/response application. This demo program is used by 87K series modules.
	87K_demo	Shows how use uart API and the IO modules located as slots. This demo program is used by 87K series modules.
	87k_ai	Shows how to read the AI values of AI module. This demo program is used by 87K series AI modules.
	87k_ao	Shows how to write the AO values to AO module. This demo program is used by 87K series AO modules.
	87k_di	Shows how to read the DI values of DI module. This demo program is used by 87K series DI modules.
	87k_do	Shows how to write the DO values to DO module. This demo program is used by 87K series DO modules.
	87k_dio	Shows how to read the DI and the DO values of the DIO module. This demo program is used by 87K series DIO modules.
	7k87k_basic	Shows how to send/receive a command/response application. This demo program is used by 7K or 87K series AI modules which connected through a COM port.
	7k87k_ai	Shows how to read the AI values of AI module. This demo program is used by 7K or 87K series AI modules which connected through a COM port.
	7k87k_ao	Shows how to write the AO values to AO module. This demo program is used by 7K or 87K series AI modules which connected through a COM port.
7k87k_di	Shows how to read the DI values of DI module. This demo program is used by 7K or 87K series AI modules which connected through a COM port.	

Folder	Demo	Explanation
	7k87k_do	Shows how to write the DO values to DO module. This demo program is used by 7K or 87K series AI modules which connected through a COM port.
	7k87k_dio	Shows how to read the DI and the DO values of the DIO module. This demo program is used by 7K or 87K series AI modules which connected through a COM port.

For C# application, these demo programs can be obtained from:

➤ For WP-8x3x series

CD:\Napdos\wp-8x3x_ce50\Demo\WinPAC\DotNET\C#.NET\PAC_IO\
ftp://ftp.icpdas.com/pub/cd/winpac/napdos/wp-8x3x_ce50/demo/winpac/dotnet/c%23.net/pac_io/

➤ For WP-8x4x series

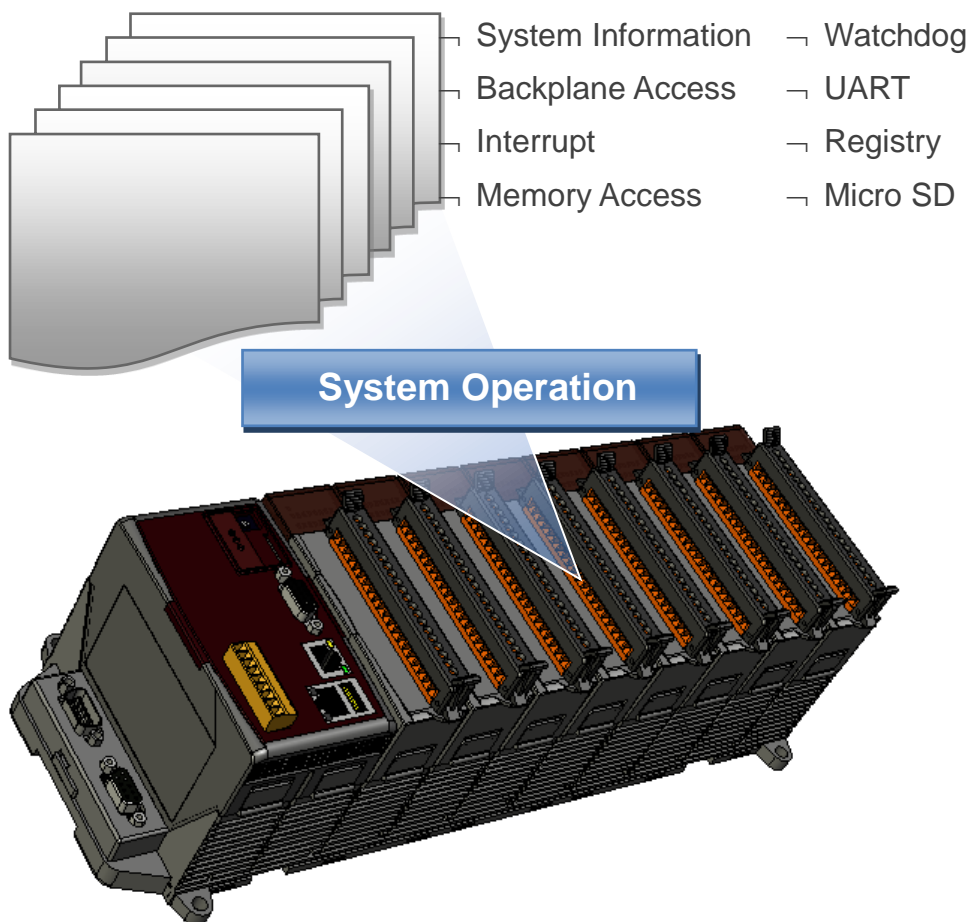
CD:\Napdos\wp-8x4x_ce50\Demo\WinPAC\DotNET\C#.NET\PAC_IO\
ftp://ftp.icpdas.com/pub/cd/winpac/napdos/wp-8x4x_ce50/demo/winpac/dotnet/c%23.net/pac_io/

5.2. Demo Programs with eMbedded Visual C++

The following eVC demos have been designed to demonstrate the various features of the WinPAC.

5.2.1. eVC Demo programs for WinPAC Standard API

The table below describes the WinPAC demos that have been designed to demonstrate the standard operation features of the WinPAC.



WinPAC Standard API:

Folder	Demo	Explanation
system	Systeminfo	Retrieves information about the OS version, CPU version, SDK version, etc.
backplane	Backplaneinfo	Retrieves information about the DIP switch, backplane ID and slot count.
memoryaccess	Memory	Shows how to read/write date values from/to EEPROM
	battery_backup_sram	Shows how to read or write to the battery backup
watchdog	watchdog	Displays how the watchdog operate
microsd	microsd_management	Shows how to enables/disables Micro SD
registry	registry	Shows how to read/write date values from/to registry
uart	diag	Shows how to read the name of local I/O modules via UART

For eVC application, these demo programs can be obtained from:

➤ For WP-8x3x series

CD:\Napdos\wp-8x3x_ce50\Demo\WinPAC\evCT\Standard\

ftp://ftp.icpdas.com/pub/cd/winpac/napdos/wp-8x3x_ce50/demo/winpac/evc/standard/

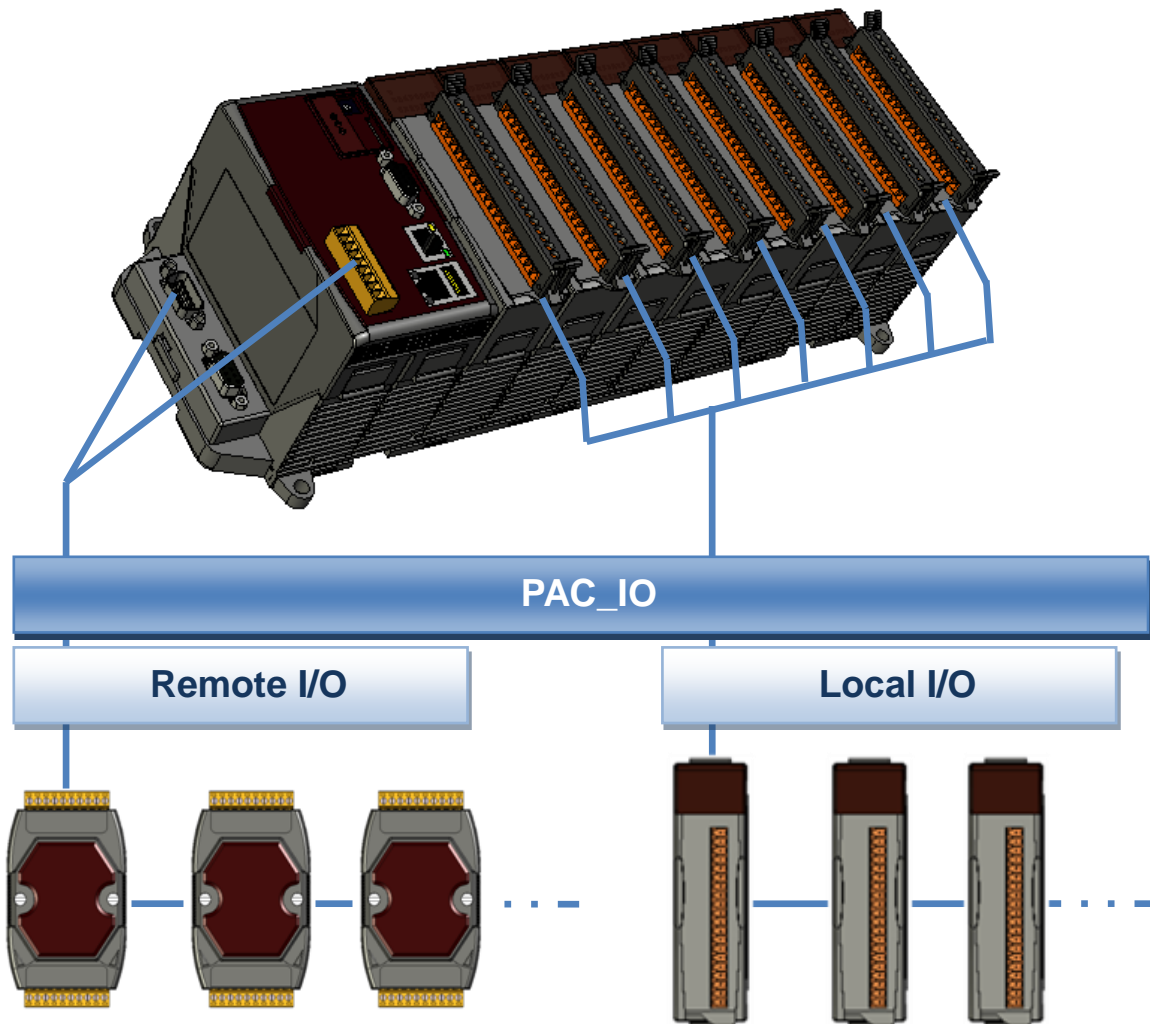
➤ For WP-8x4x series

CD:\Napdos\wp-8x4x_ce50\Demo\WinPAC\evC\Standard\

ftp://ftp.icpdas.com/pub/cd/winpac/napdos/wp-8x4x_ce50/demo/winpac/evc/standard/

5.2.2. eVC Demo programs for PAC IO API

The table below describes the WinPAC demos that have been designed to demonstrate the expansion I/O module features of the WinPAC.



PAC IO API:

Folder	Demo	Explanation
Local	find_io	Shows how to retrieve the module names and types which plugged in the WinPAC.
	8k_di	Shows how to read the DI values of DI module. This demo program is used by 8K series DI modules.
	8k_do	Shows how to write the DO values to DO module. This demo program is used by 8K series DO modules.

Folder	Demo	Explanation
Remote	8k_dio	Shows how to read the DI and the DO values of the DIO module. This demo program is used by 8K series DIO modules.
	87k_basic	Shows how to send/receive a command/response application. This demo program is used by 87K series modules.
	87K_demo	Shows how use uart API and the IO modules located as slots. This demo program is used by 87K series modules.
	87k_ai	Shows how to read the AI values of AI module. This demo program is used by 87K series AI modules.
	87k_ao	Shows how to write the AO values to AO module. This demo program is used by 87K series AO modules.
	87k_di	Shows how to read the DI values of DI module. This demo program is used by 87K series DI modules.
	87k_do	Shows how to write the DO values to DO module. This demo program is used by 87K series DO modules.
	87k_dio	Shows how to read the DI and the DO values of the DIO module. This demo program is used by 87K series DIO modules.
	7k87k_basic	Shows how to send/receive a command/response application. This demo program is used by 7K or 87K series AI modules which connected through a COM port.
	7k87k_ai	Shows how to read the AI values of AI module. This demo program is used by 7K or 87K series AI modules which connected through a COM port.
	7k87k_ao	Shows how to write the AO values to AO module. This demo program is used by 7K or 87K series AI modules which connected through a COM port.
	7k87k_di	Shows how to read the DI values of DI module. This demo program is used by 7K or 87K series AI modules which connected through a COM port.

Folder	Demo	Explanation
	7k87k_do	Shows how to write the DO values to DO module. This demo program is used by 7K or 87K series AI modules which connected through a COM port.
	7k87k_dio	Shows how to read the DI and the DO values of the DIO module. This demo program is used by 7K or 87K series AI modules which connected through a COM port.

For eVC application, these demo programs can be obtained from:

➤ For WP-8x3x series

CD:\Napdos\wp-8x3x_ce50\Demo\WinPAC\eVC\PAC_IO\

ftp://ftp.icpdas.com/pub/cd/winpac/napdos/wp-8x3x_ce50/demo/winpac/evc/pac_io/

➤ For WP-8x4x series

CD:\Napdos\wp-8x4x_ce50\Demo\WinPAC\eVC\PAC_IO\

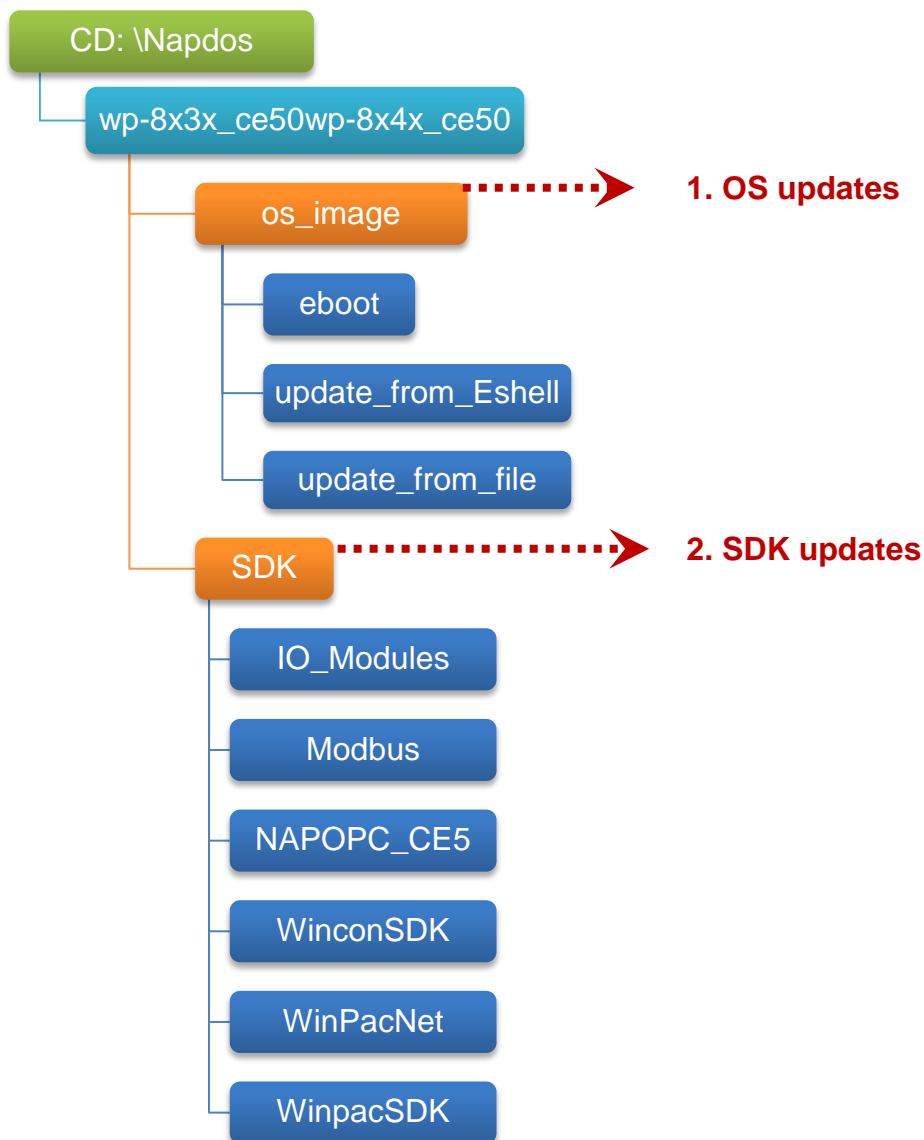
ftp://ftp.icpdas.com/pub/cd/winpac/napdos/wp-8x4x_ce50/demo/winpac/evc/pac_io/

6. WinPAC Updates

This chapter provides instructions on how to upgrade WinPAC OS and SDK.

ICP DAS will continue to add additional features to WinPAC SDK and OS in the future, so we advise you to periodically check the ICP DAS web site for the latest updates.

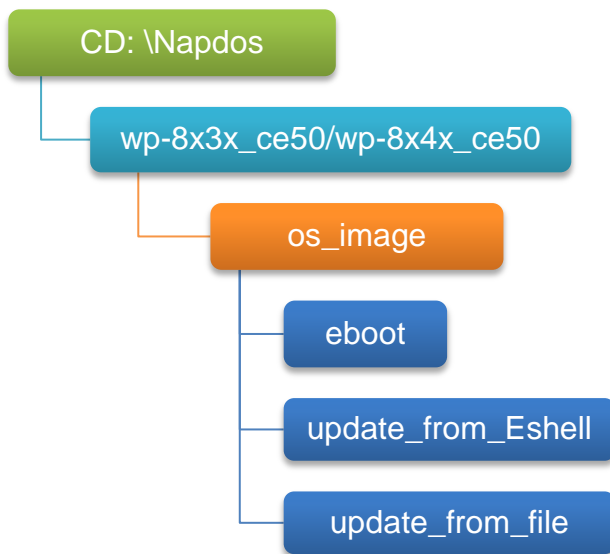
WinPAC updates services can be divided into the following two main categories:



6.1. OS updates

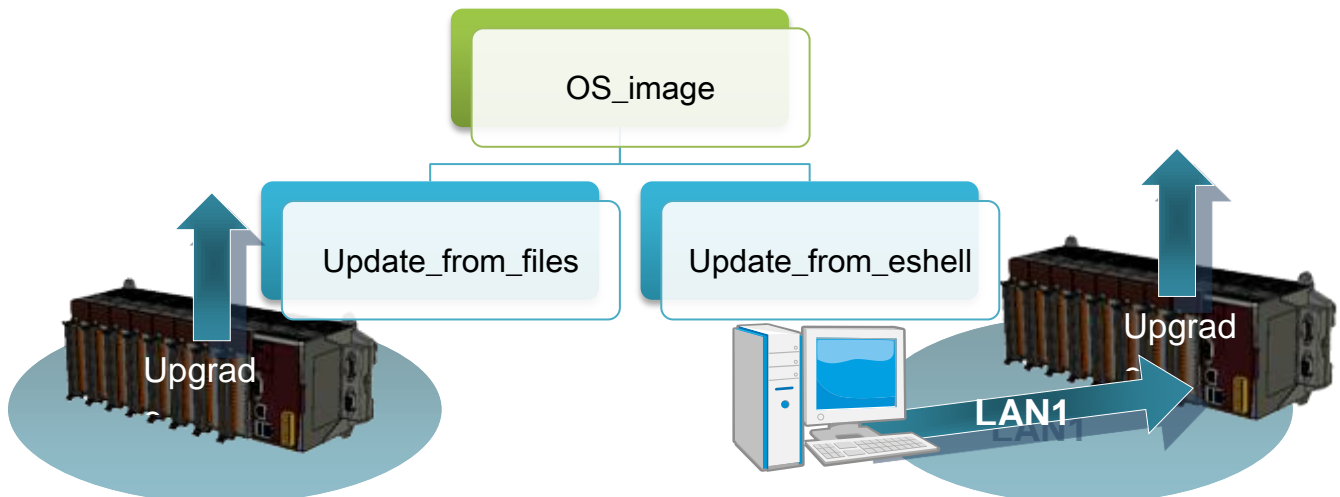
The updates files of OS image are located on:

- For WP-8x3x series
CD:\Napdos\wp-8x3x_ce50\OS_Image\
- For WP-8x4x series
CD:\Napdos\wp-8x4x_ce50\OS_Image\



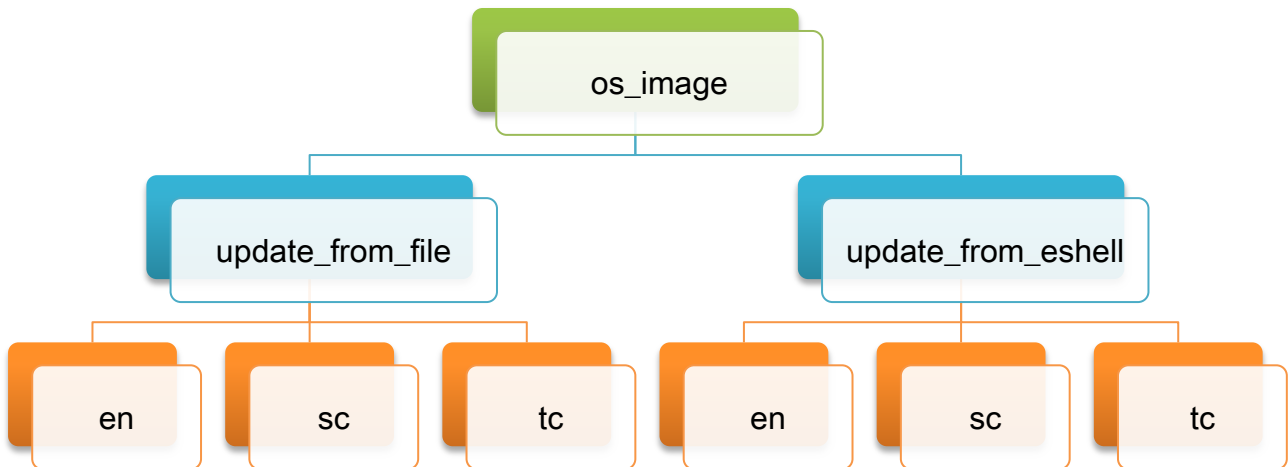
There are two ways to update the OS:

1. Update from file (Please refer to section 6.1.1)
(We recommend that you use this one for more quicker and easier to update)
2. Update from Eshell (Please refer to section 6.1.2)



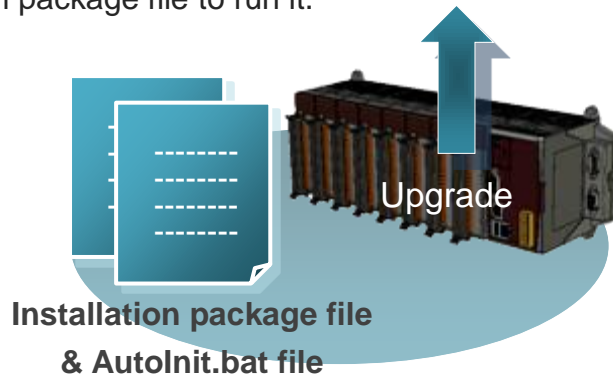
The WinPAC OS supports multi-language:

1. en - English
2. sc - Simplified Chinese
3. tc - Traditional Chinese



6.1.1. WinPAC OS updates using installation package file on WinPAC

Installation package is easier to upgrade OS image, you just copy the package file (.exe) and the corresponding “Autolnit.bat” file to WinPAC, and then double-click installation package file to run it.



Below is a step by step procedure for updating the WinPAC OS.

Step 1: Get the latest version of the installation package file and the corresponding “Autolnit.bat” file downloading to WinPAC

The latest version of the installation package file and the corresponding “Autolnit.bat” file can be obtained from:

➤ For WP-8x3x series

CD:\Napdos\wp-8x3x_ce50\OS_Image\update_from_file\

http://ftp.icpdas.com/pub/cd/winpac/napdos/wp-8x3x_ce50/os_image/update_from_file/

➤ For WP-8x4x series

CD:\Napdos\wp-8x4x_ce50\OS_Image\update_from_file\

http://ftp.icpdas.com/pub/cd/winpac/napdos/wp-8x4x_ce50/os_image/update_from_file/

The corresponding “Autolnit.bat” file can be obtained from the same folder.

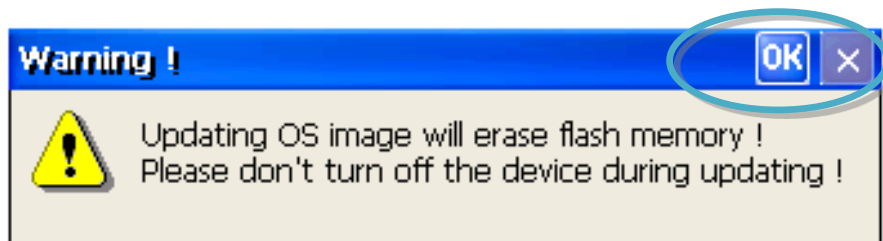
Product Name	Release Date	Software	Language
Product Series	YYYY- Years	Major Version	en- English
I/O Slot	MM- Month	Minor Version	tc- Traditional Chinese
Hardware	DD- Day	Build Number	sc- Simplified Chinese
Software		Reversion	

Example: WP8441_20090709_Ver 1.0.0.0_en.exe

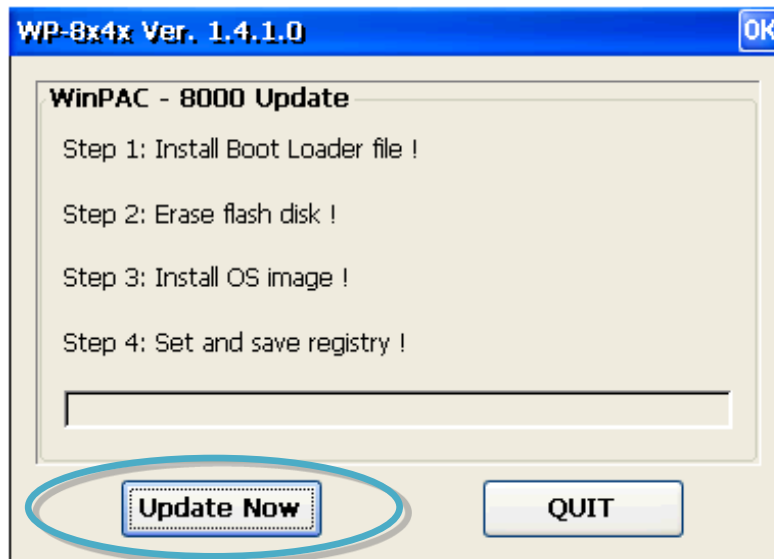
There are several ways to download the installation package file and the corresponding file to WinPAC:

- i. On the WinPAC, you can download these files via Ethernet connection.
- ii. On the PC, you can download these files via .a USB storage device, the removable Micro SD card or FTP server

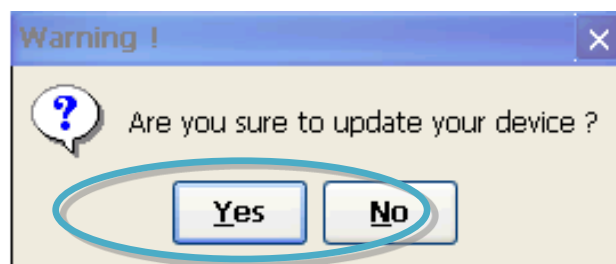
Step 2: Run the installation package file and then click “OK” to make sure you receive the important notice of this procedure will erase flash memory



Step 3: Click “Update Now” to start the process



Step 4: Click “Yes” to make sure you ready to start the process



This installation procedure will perform the following tasks:

- i. Install boot loader file

Important Warnings



Be careful, if the boot loader broken off in this step and cannot restart in safe mode, you have to send it back to us.

- ii. Erase flash disk
- iii. Install OS image
- iv. Set and save registry

Tips & Warnings

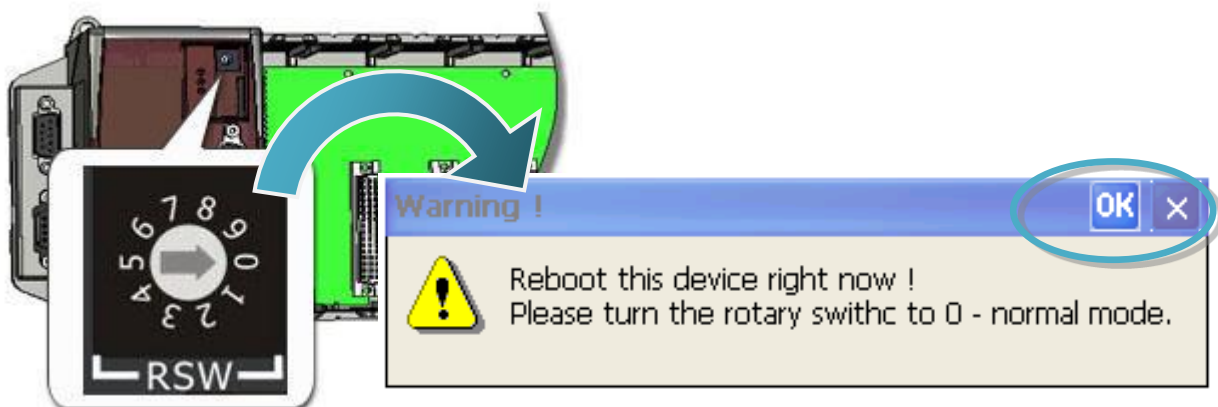


This procedure will reset the registry settings to their default settings, and all of your settings will be lost.

During this time, do not turn off the WinPAC. If the update is cancelled before completion, the WinPAC may become damaged and may require servicing or exchange.

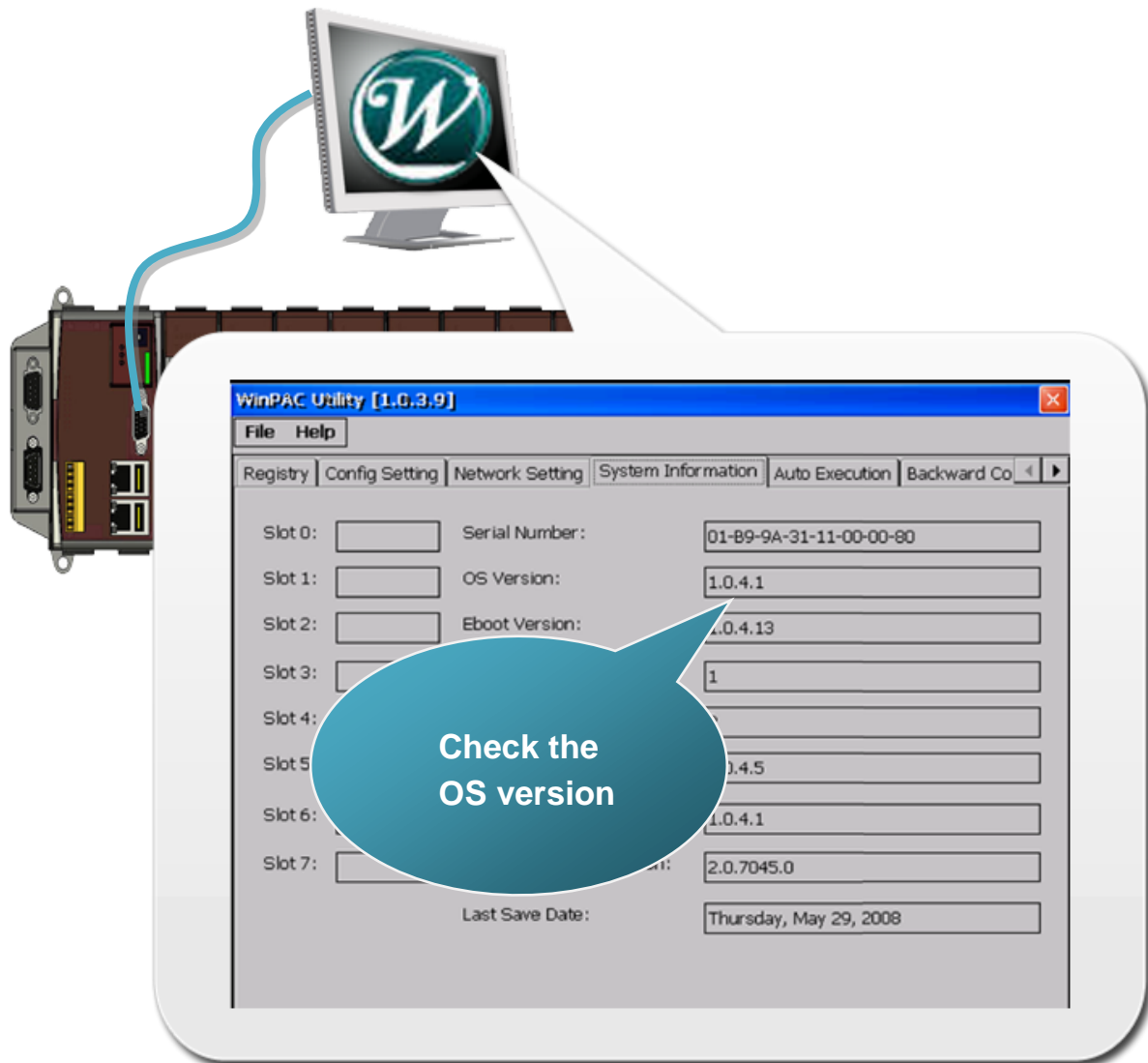
Besides, we recommend that you turn off all other applications before starting to upgrade the OS.

Step 5: After completing the above-mentioned tasks, the “Warning !” dialog box will appear as follow, before clicking the “OK” button, you must first turn the rotary switch to the “0” position

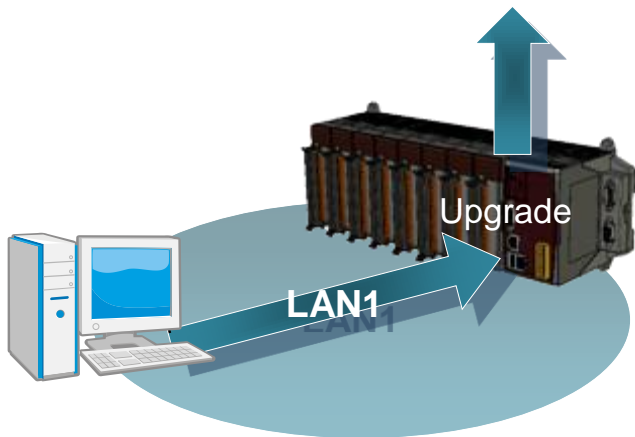


Step 6: Check the WinPAC OS version

Start the WinPAC Utility, and then select the “System Information” tab to check the current OS version.



6.1.2. WinPAC OS updates using Eshell via Ethernet



By default, the OS updates via LAN1. Therefore, to update the OS image, make sure LAN1 is connected to the PC.

Below is a step by step procedure for updating the WinPAC OS.

Step 1: Get the latest version of the WinPAC OS image

The latest version of the installation package can be obtained from:

- For WP-8x3x series

CD:\Napdos\wp-8x3x_ce50\OS_Image\update_from_Eshell\

http://ftp.icpdas.com/pub/cd/winpac/napdos/wp-8x3x_ce50/os_image/update_from_Eshell/

- For WP-8x4x series

CD:\Napdos\wp-8x4x_ce50\OS_Image\update_from_Eshell\

http://ftp.icpdas.com/pub/cd/winpac/napdos/wp-8x4x_ce50/os_image/update_from_Eshell/

WP	pppp	YYYYMMDD	Ver	X.X.X.X	XX	.bin
Product Name	Release Date	Software	Language			
Product Series	YYYY- Years	Major Version	en- English			
I/O Slot	MM- Month	Minor Version	tc- Traditional Chinese			
Hardware	DD- Day	Build Number	sc- Simplified Chinese			
Software		Reversion				

Example: WP8441_20090709_Ver 1.0.0.0_en.bin

Step 2: Run the ESHELL on the PC



ESHELL you can be obtained at:

ESHELL

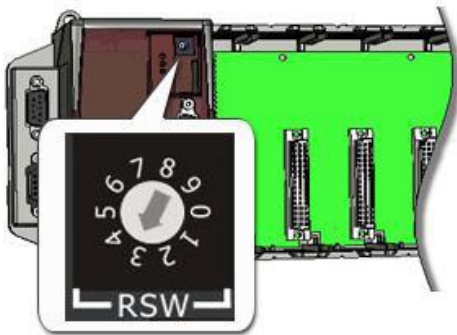
- ▶ For WP-8x3x series

CD:\Napdos\wp-8x3x_ce50\PC_Tools\
http://ftp.icpdas.com/pub/cd/winpac/napdos/wp-8x3x_ce50/pc_tools/

- ▶ For WP-8x4x series

CD:\Napdos\wp-8x4x_ce50\PC_Tools\
http://ftp.icpdas.com/pub/cd/winpac/napdos/wp-8x4x_ce50/pc_tools/

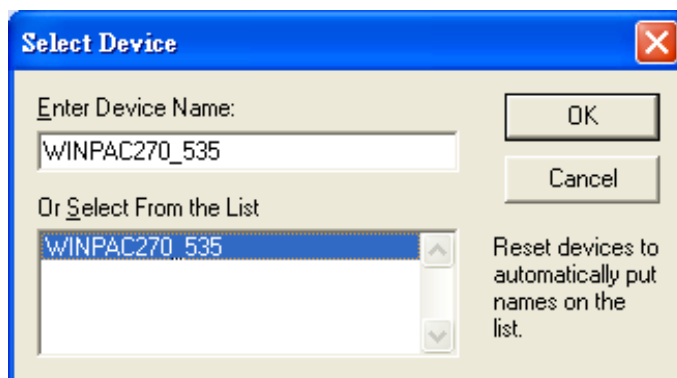
Step 3: Configure the reboot in OS update mode



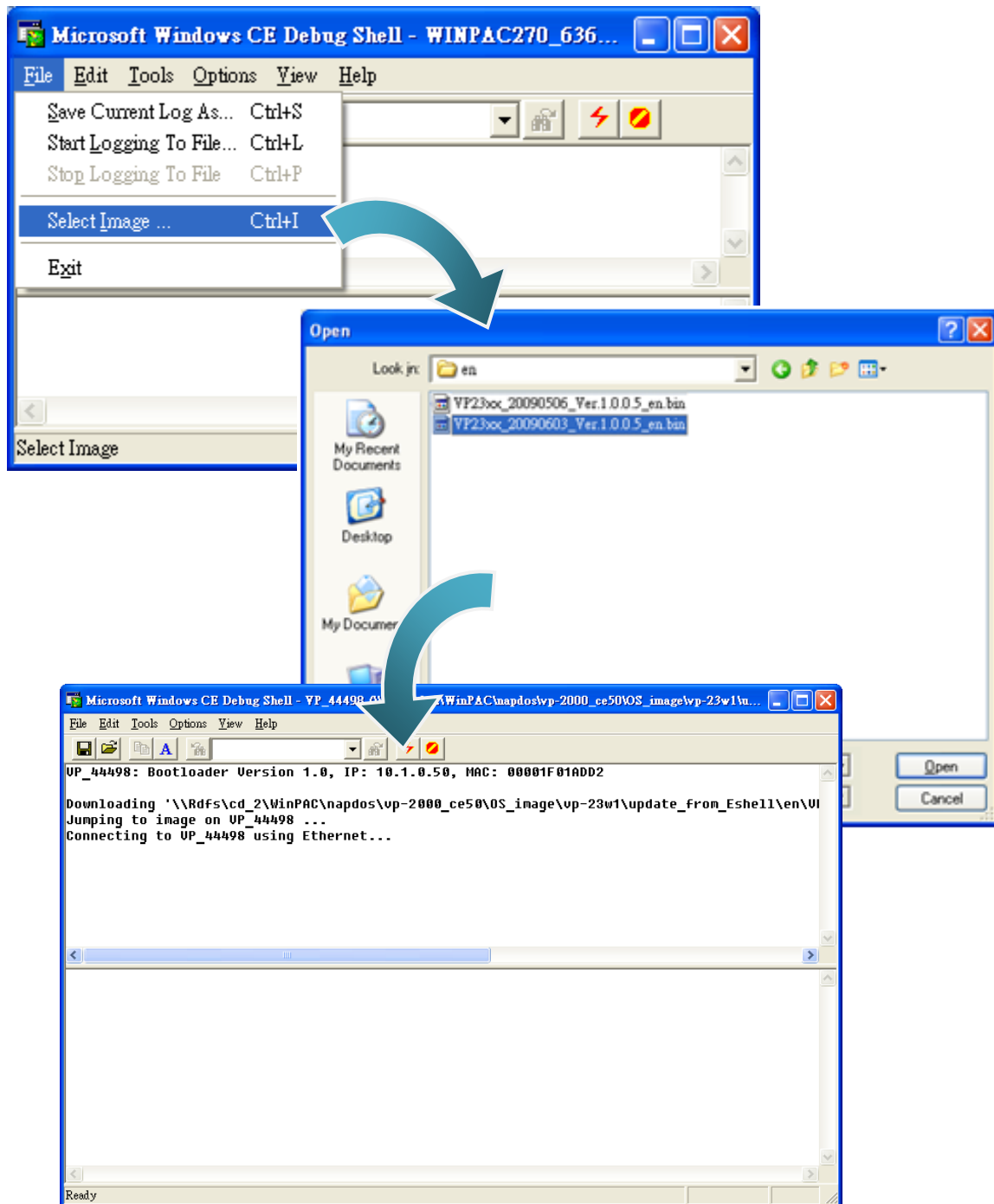
Turn the rotary switch to “3”, and then reboot the WinPAC.

Step 4: Select the device which you want to update the OS image

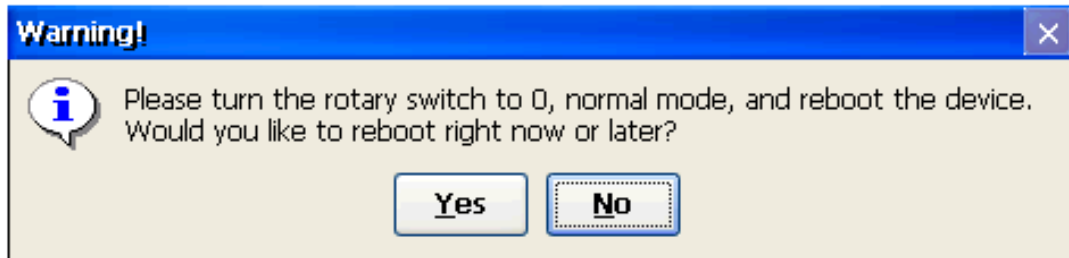
After starting the ESHELL software, the “Select Device” dialog will appear, and then select the device which you want.



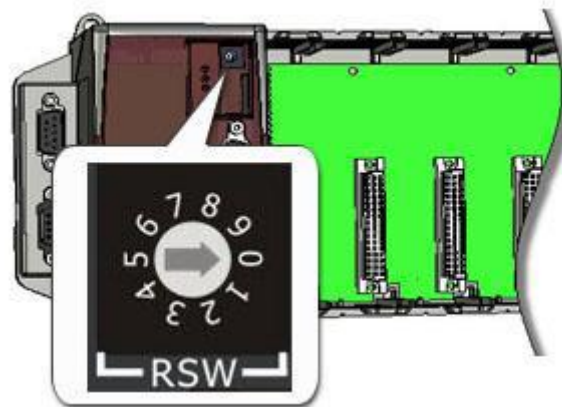
Step 5: Select the latest version of the OS image file



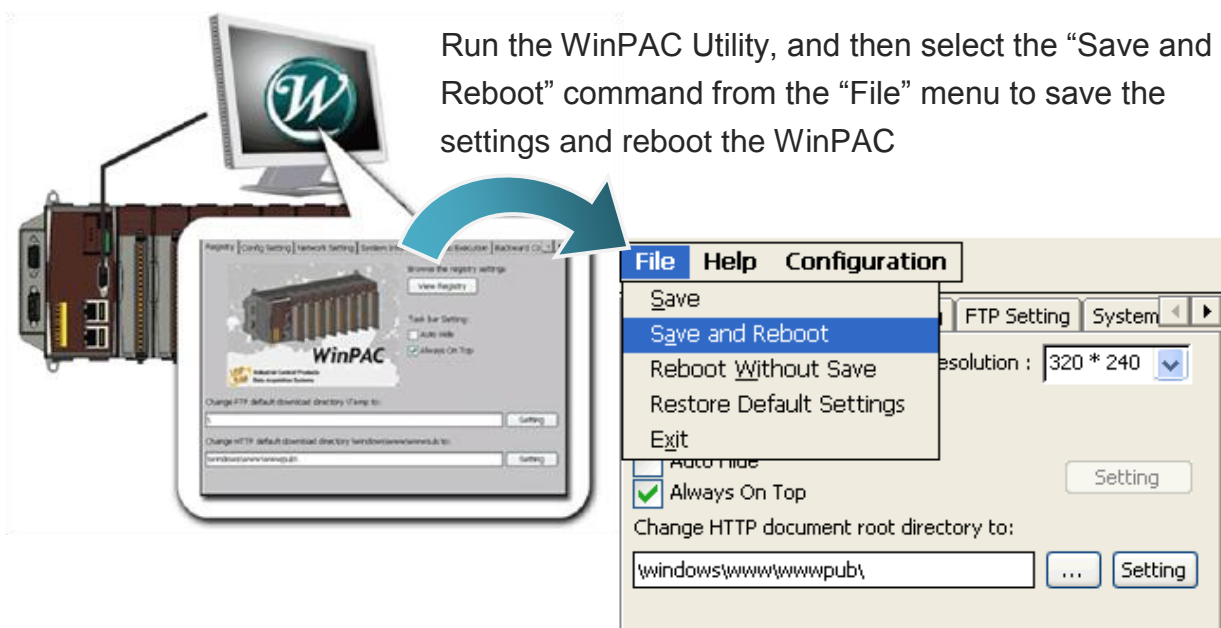
Step 6: Once the procedure is completed, the “Warning !” dialog box will Appear on WinPAC screen as below shown, click “No” to finish the process



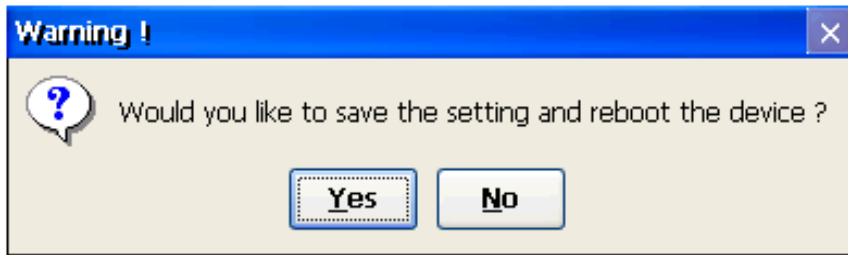
Step 7: Configure the WinPAC to boot in normal mode



Step 8: Run the WinPAC Utility to save the settings and reboot the WinPAC

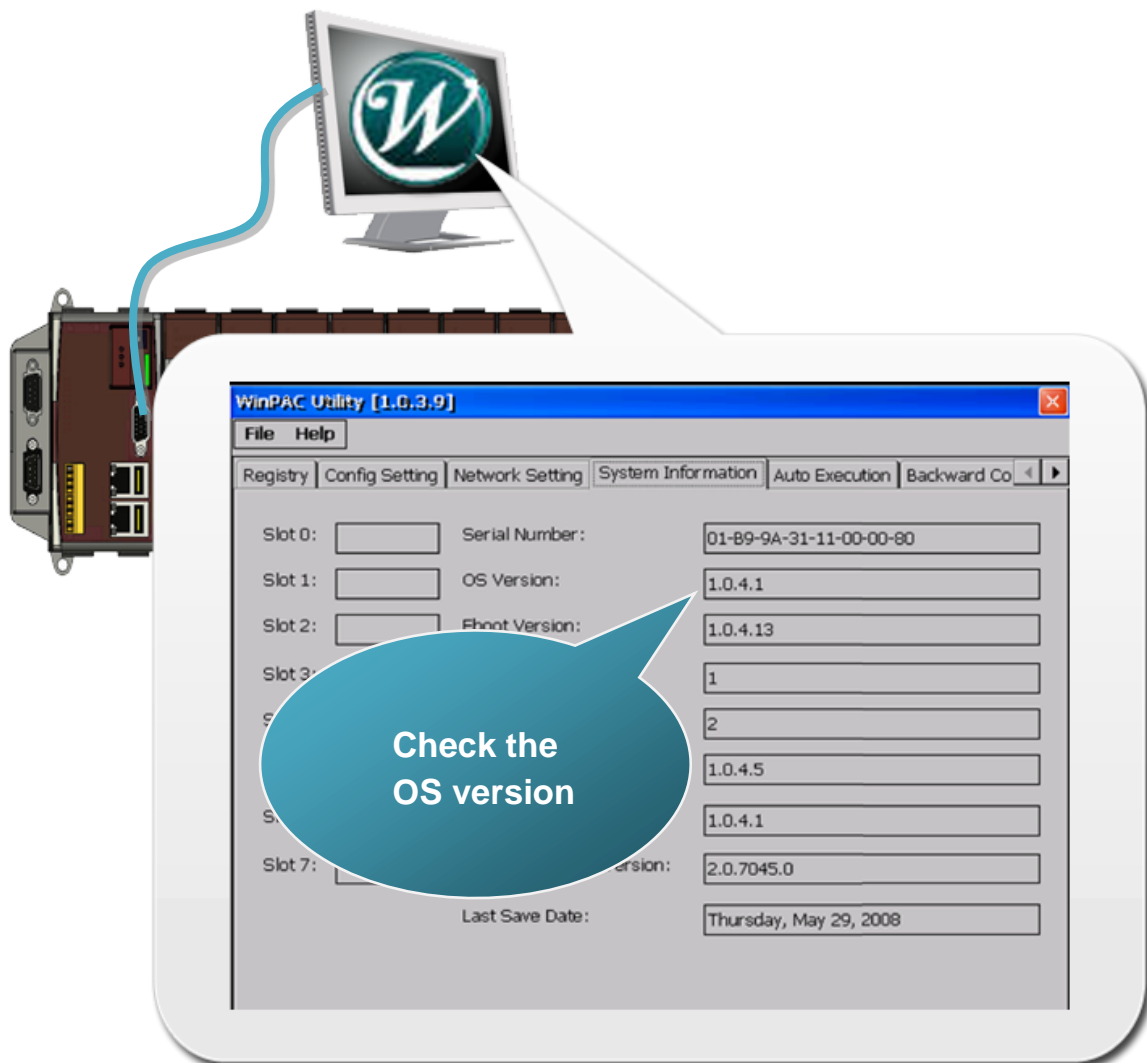


Step 9: Click “Yes” to reboot the WinPAC



Step 10: Check the WinPAC OS version

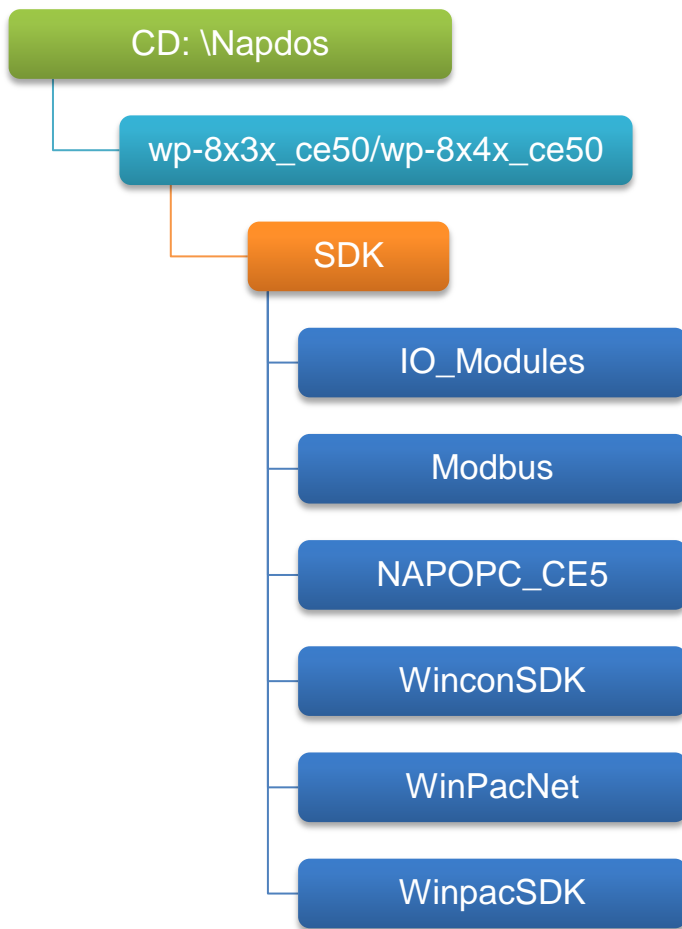
Start the WinPAC Utility, and then select the “System Information” tab to check the current OS version.



6.2. SDKs Updates

The updates files of SDK are located on:

- For WP-8x3x series
CD:\Napdos\wp-8x3x_ce50\SDK\
 - For WP-8x4x series
CD:\Napdos\wp-8x4x_ce50\SDK\
 - For WP-8x3x series
CD:\Napdos\wp-8x3x_ce50\SDK\
 - For WP-8x4x series
CD:\Napdos\wp-8x4x_ce50\SDK\
 - For WP-8x3x series
CD:\Napdos\wp-8x3x_ce50\SDK\
 - For WP-8x4x series
CD:\Napdos\wp-8x4x_ce50\SDK\
 - For WP-8x3x series
CD:\Napdos\wp-8x3x_ce50\SDK\
 - For WP-8x4x series
CD:\Napdos\wp-8x4x_ce50\SDK\



By eVC and donet development tools, the WinPAC SDK installation is divided into the following two parts:

- i. WinPAC SDK updates for dotnet
- ii. WinPAC SDK updates for eMbedded Visual C++

6.2.1. WinPAC SDK updates for C# or VB.net

To determine the SDK version that is compatibly running on the WinPAC, you can read the “Release Note” which is located under each SDK folder, these files provides important updated information for what we fixed and added.

Step 1: Get the latest version of the C# or VB.net components

The latest version of the C# or VB.net components can be obtained from:

- For WP-8x3x series

http://ftp.icpdas.com/pub/cd/winpac/napdos/wp-8x3x_ce50/sdk/winpacnet/

- For WP-8x4x series

http://ftp.icpdas.com/pub/cd/winpac/napdos/wp-8x4x_ce50/sdk/winpacnet/

Step 2: Copy the latest version of DLL to Host PC and WinPAC

The DLL files on Host PC are located at anywhere only the solution can reference it.

The DLL files on WinPAC are located at the same directory as the .exe file.

6.2.2. WinPAC SDK updates for eMbedded Visual C++

To determine the SDK version that is compatibly running on the WinPAC, you can read the “Release Note” which is located under each SDK folder, these files provides important updated information for what we fixed and added.

Step 1: Get the latest version of the eMbedded Visual C++ components

The latest version of the eMbedded Visual C++ components can be obtained from:

- For WP-8x3x series
http://ftp.icpdas.com/pub/cd/winpac/napdos/wp-8x3x_ce50/sdk/winpacsdk/
- For WP-8x4x series
http://ftp.icpdas.com/pub/cd/winpac/napdos/wp-8x4x_ce50/sdk/winpacsdk/

Step 2: Copy the latest version of header files and libraries to Host PC

The header files are located at:

C:\Program Files\Windows CE Tools\wce500\PAC270\Icpdas\Include\ARMV4I\

The libraries are located at:

C:\Program Files\Windows CE Tools\wce500\PAC270\Icpdas\Lib\ARMV4I\

Step 3: Copy the latest version of DLL files to WinPAC

The DLL files are located at:

\System_Disk\ICPDAS\System

7. WinPAC Download Center

This chapter introduces the WinPAC Download Center.

Visit the WinPAC Download Center:

http://www.icpdas.com/products/PAC/winpac/download/winpac_8000/download_os_images.htm

WinPAC-8000 Download Center

Note:

When you download the software programs, you should notice if the programs conform to your machine. The published date and indicated requirement of a program can help user to determine the compatibility for your WinPAC-8000. Before you download any program, please read the notes of each online program first to avoid the confused situation.

WinPAC Utility			HTTP	FTP
Version	Last update	Compatibility		
2.0.1.1	Jul. 2009	WP-8x4x / WP-8x3x		

Tools to save / view the system information registry and setup the HTTP / FTP path and update non-volatile internal memory within WinPAC-8000

The following update categories are available from the WinPAC Download Center.

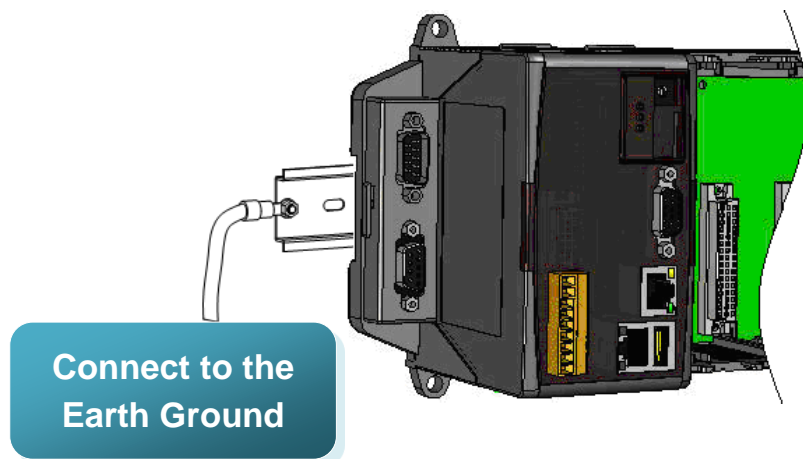
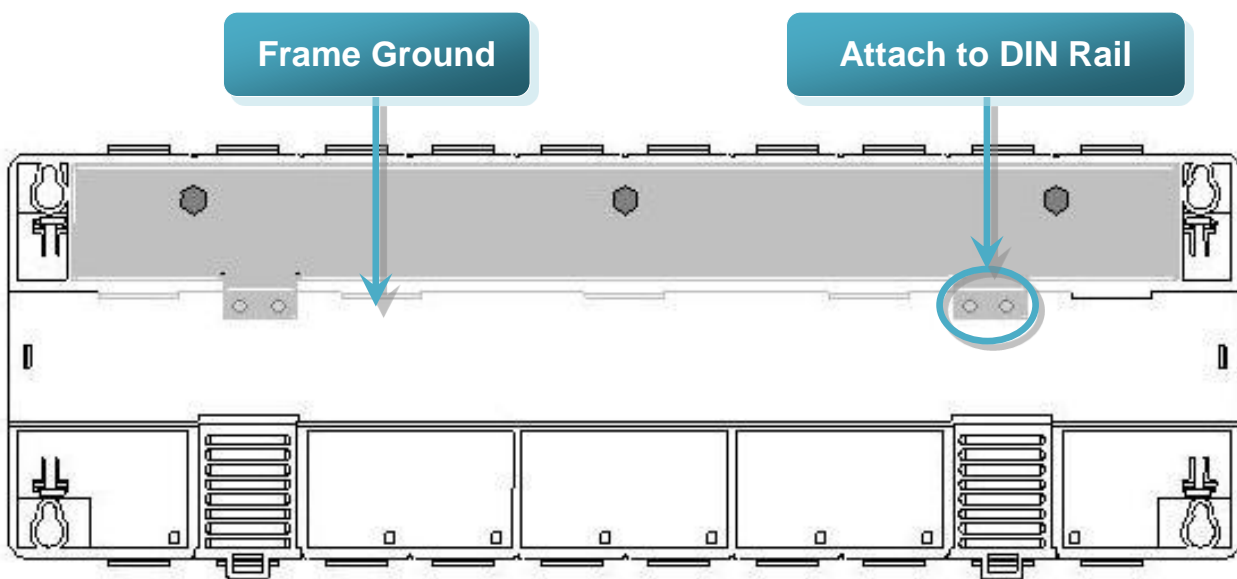
- ✓ **OS images** Includes updates and the latest version of WinPAC OS.
- ✓ **WinPAC SDK** Includes updates and the latest version of each WinPAC component SDK, such as WinPAC SDK, NAPOPC_CE5 SDK, Modbus SDK, etc.
- ✓ **Utility & Tools** Includes updates and the latest version for WinPAC toolkits
- ✓ **Demo** Includes all related WinPAC demos.
- ✓ **Documents** Includes updates and the latest version for related WinPAC documents.
- ✓ **System Disk** Includes updates and the latest version for WinPAC toolkits

Appendix A. Frame Ground

Electronic circuits are constantly vulnerable to Electro-Static Discharge (ESD), which become worse in a continental climate area. Some I-7000 ,M-7000 and I-8000 series modules feature a new design for the frame ground, which provides a path for bypassing ESD, allowing enhanced static protection (ESD) capability and ensures that the module is more reliable.

The following options will provide a better protection for the module:

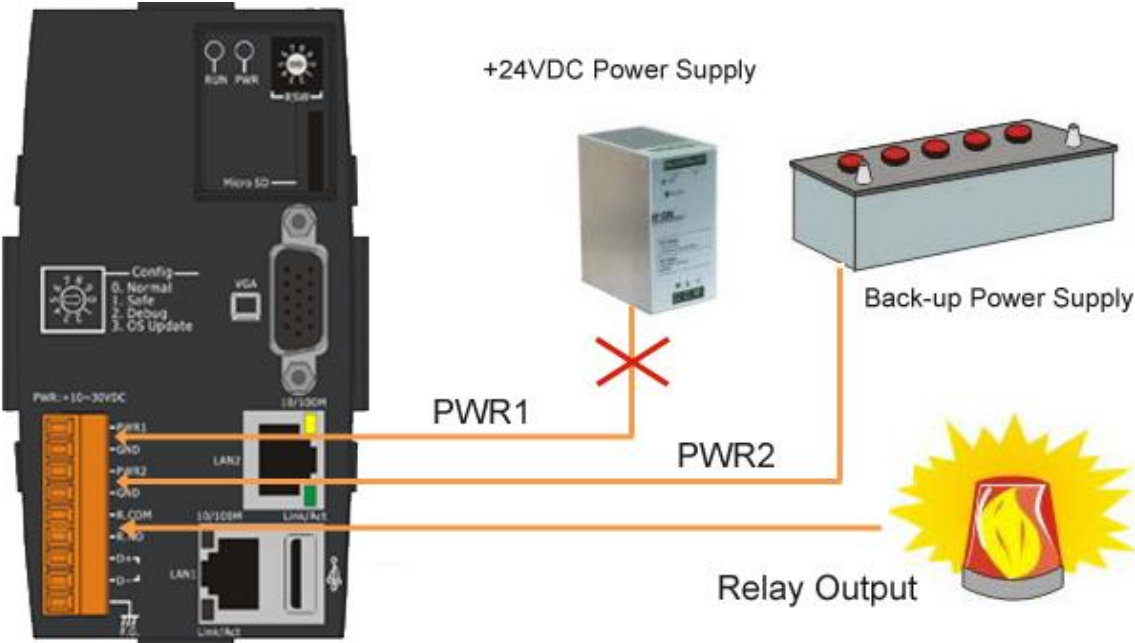
The I-8000 controller has a metallic board attached to the back of the plastic basket as shown in the Figure 2-1 below. When mounted to the DIN rail, connect the DIN rail to the earth ground because the DIN rail is in contact with the upper frame ground as shown in the Figure 2-2 below.



Appendix B. Redundant Power

The WinPAC provides two power inputs that can be connected simultaneously to live DC power sources. If one of the power inputs fails, the other live source acts as a backup to automatically support the WinPAC's power needs.

The WinPAC provides relay contact outputs to warn technicians on the shop floor when the power fails.



Appendix C. I-8K and I-87K Modules

There are 1/4/8 slot options to expand local I/O. And the I/O modules can be parallel bus type (high profile I-8K series) and serial bus type (high profile I-87K series).

The difference between them is

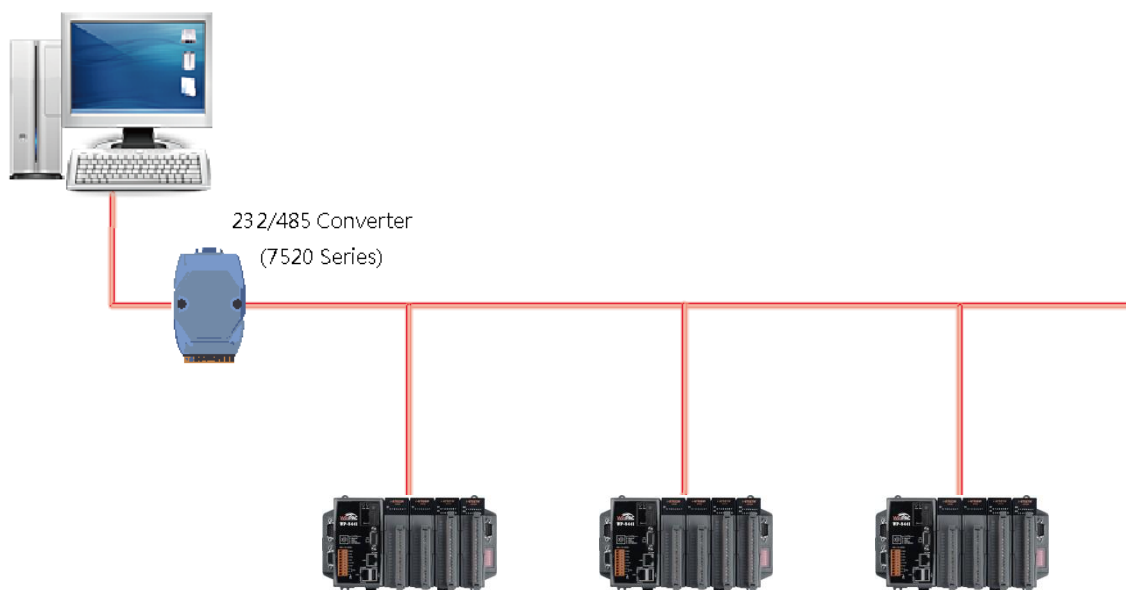
Item	I-8K Series	I-87K Series
Microprocessor	No	Yes (8051)
Communication interface	Parallel bus	Serial bus
Communication speed	Fast	Slow
DI latched function	No	Yes
Counter input (for digital input module)	No	Yes (100 Hz)
Power on value	No	Yes
Safe value	No	Yes
Programmable slew-rate for AO module	No	Yes

Appendix D. Application of RS-485 Network

The RS-485 length can be up to 4000 ft or 1.2 km over a single set of twisted-pair cables, if the RS-485 network is over 4000 ft or 1.2Km, the RS-485 repeater must be added to extend the RS-485 network.

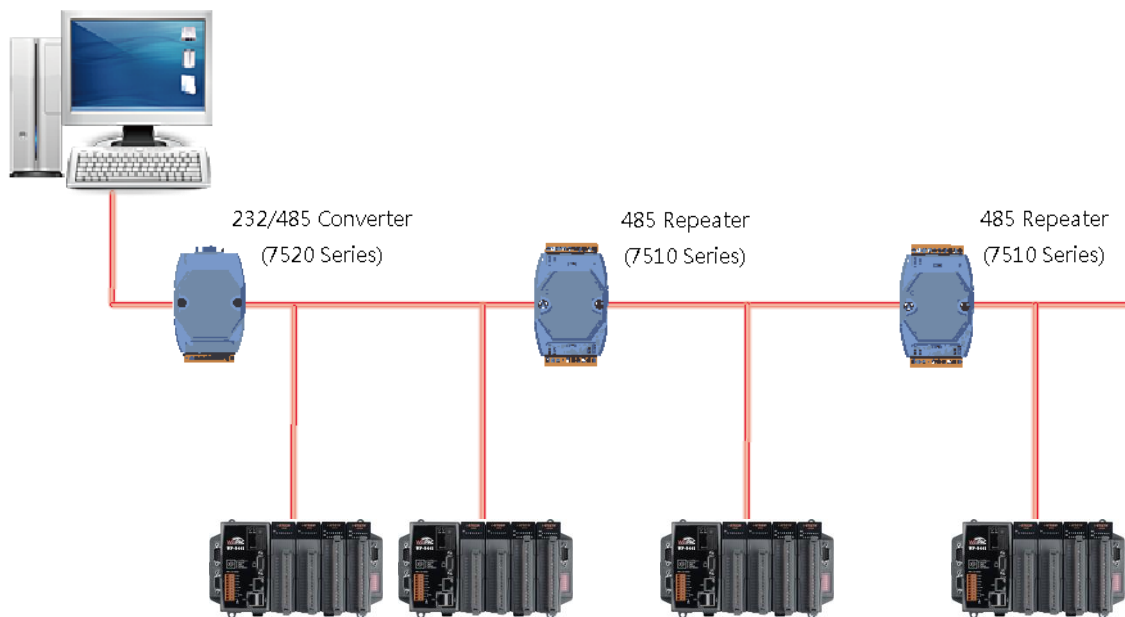
D.1. Basic RS-485 Network

The basic component of the RS-485 network consist of a Master Controller (or using a PC as a host controller), and some RS-485 devices.



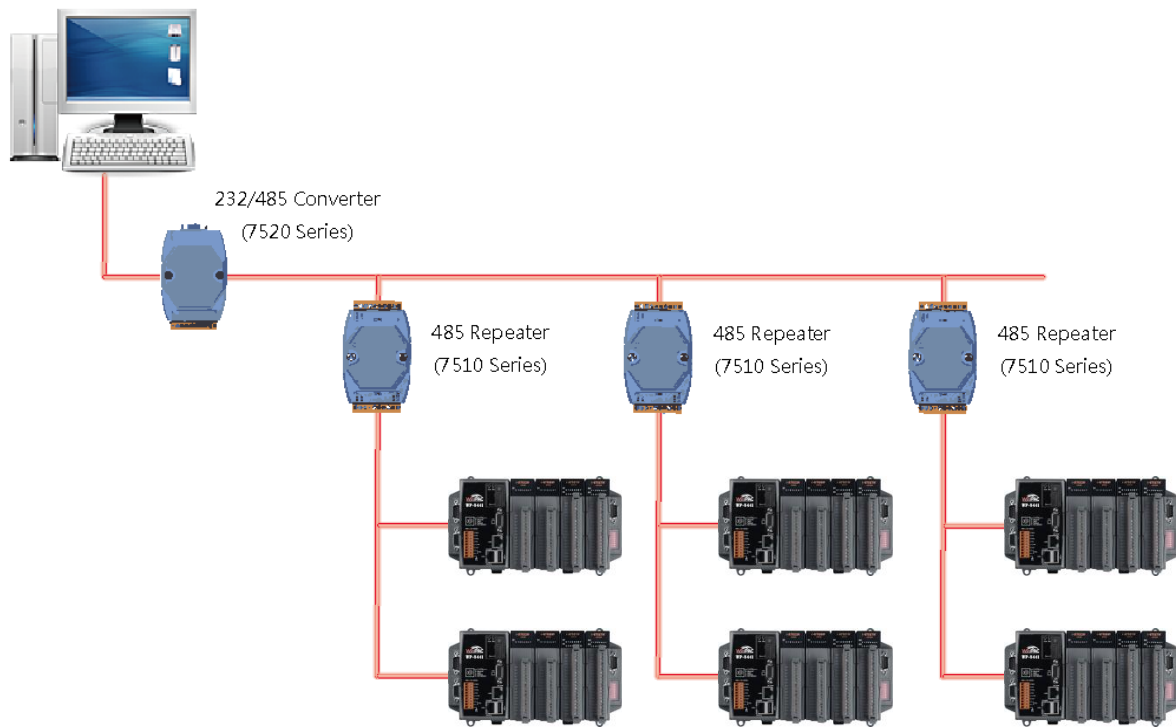
D.2. Daisy Chain RS-485 Network

All RS-485 devices are wired directly to the main network, If the network is up to 1.2 km, it will need a repeater (7510 series) to extend the network length.

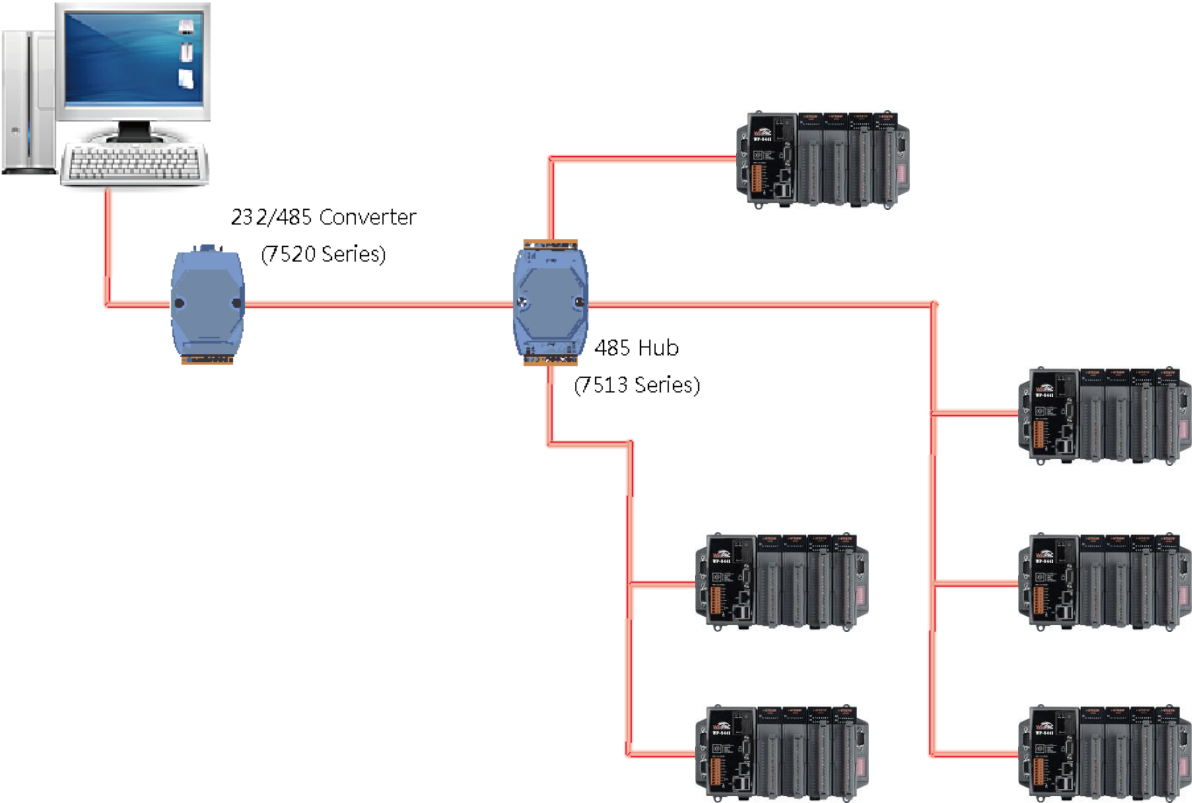


D.3. Star Type RS-485 Network

There are branches along the main network. In this case, it is better to have a repeater to isolate or filter the noise that is made by devices.

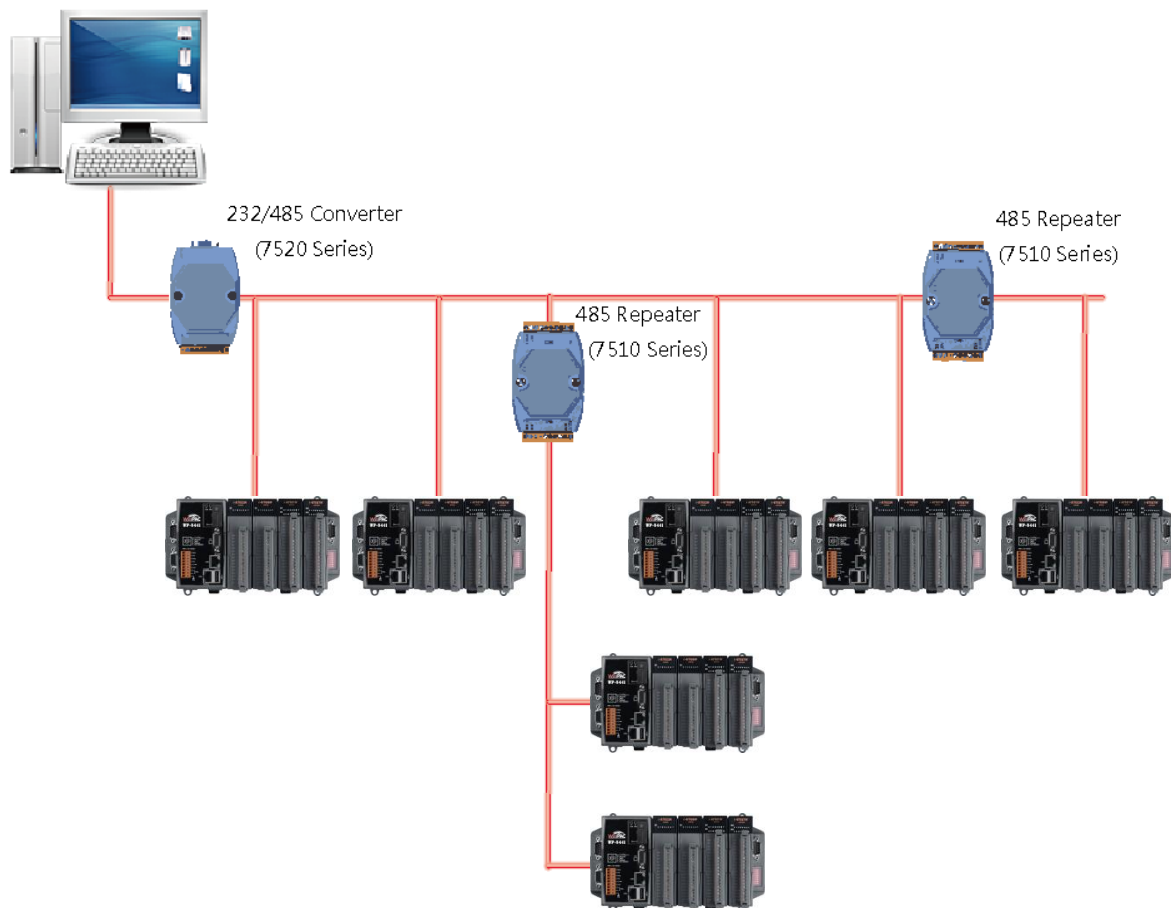


There is a better choice to use 7513 as a RS-485 hub on start type network.



D.4. Random RS-485 Network

There are branches along the main wire. In this case, it is better to have a repeater to isolate or filter the noise that is made by devices.

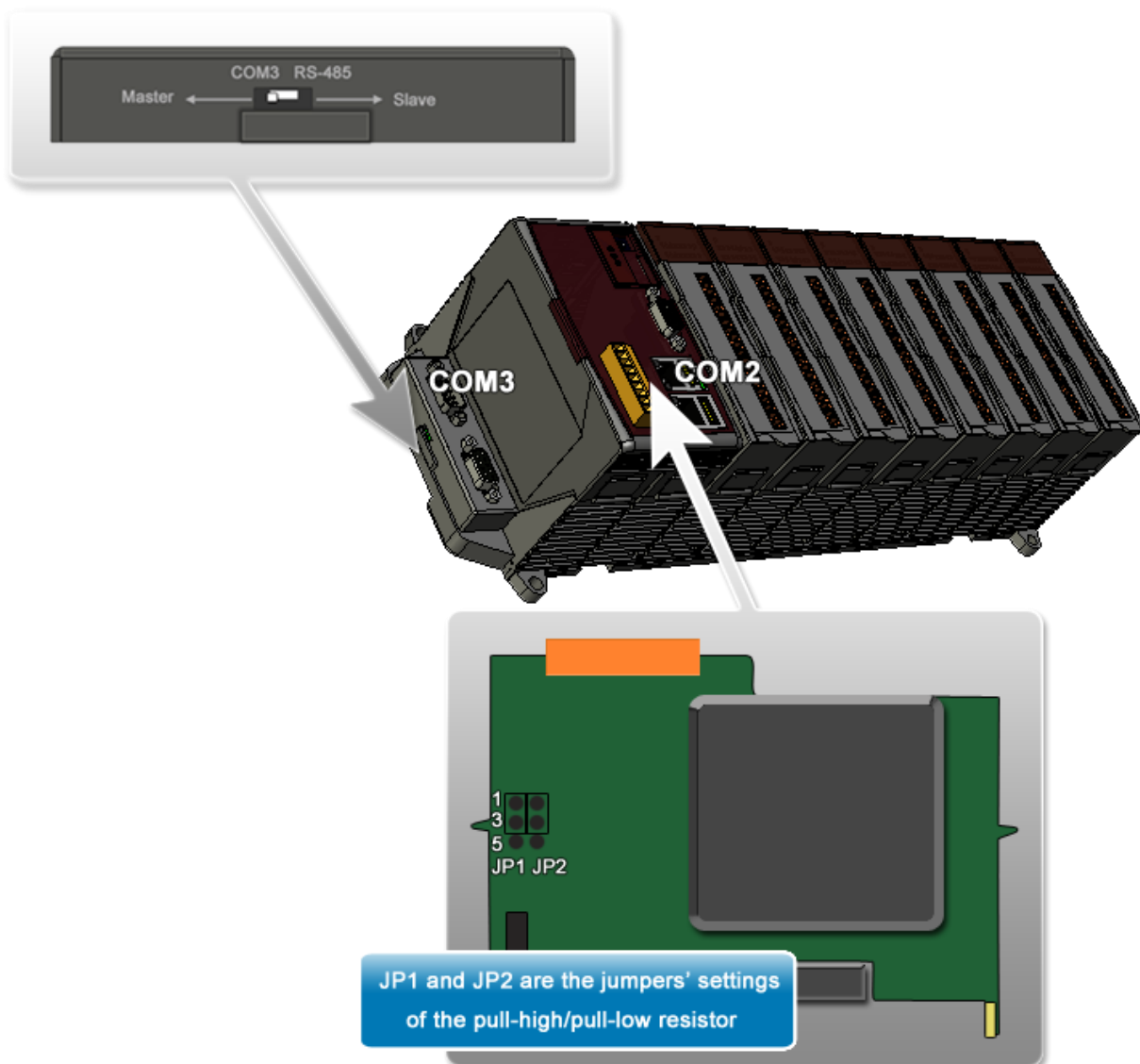


D.5. Master/Slaves Settings

The RS-485 network based on master-slave architecture consists of a single master device and one or more slave devices.

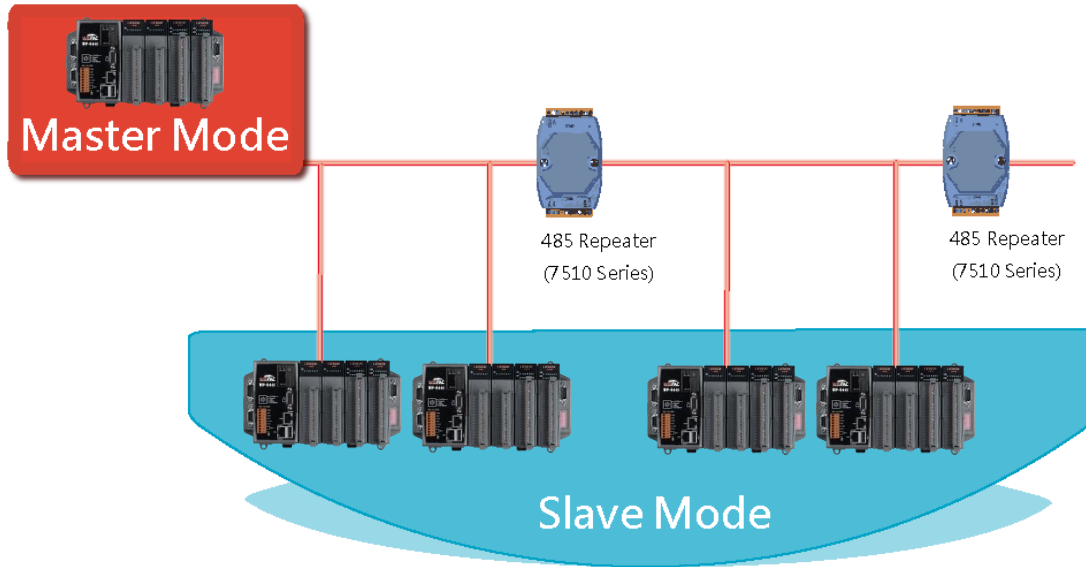
The WinPAC provides two RS-485 communication interfaces based on the master-slave system architecture, all of which have a pull-high/pull-low resistor, user can set it to master or slave for implementing an RS-485 multi-drop network.

One of the RS-485 communications, COM2, its pull-high/pull-low resistor located on power board, the other, COM3, located on the right side and its pull-high/pull-low resistor located on the bottom of the right side, as shown below.

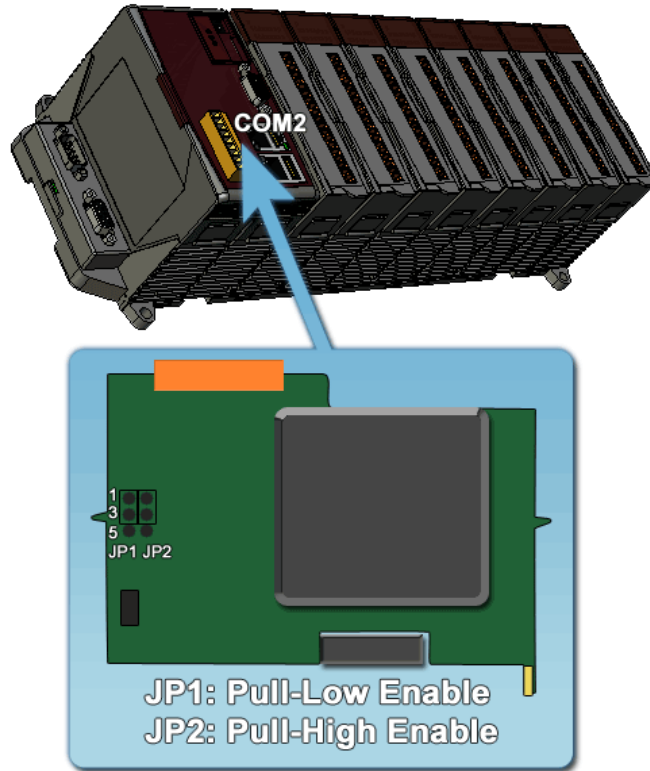


D.5.1. WinPAC as a Master (default):

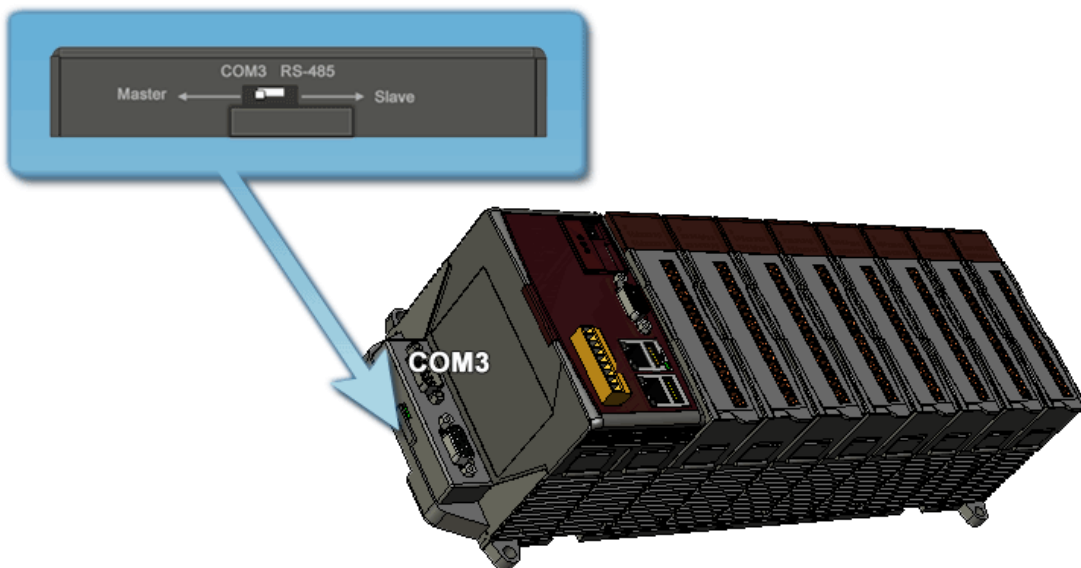
When one of WinPAC is set to master, then all the other devices on the same network must be slave mode. If the network is up to 1.2 KM, it will need a repeater (7510 series) to extend the network length.



When WinPAC as a master using COM2 communication interface, the pull-high/pull-low resistor located on the power board must adjust to enable as shown below.



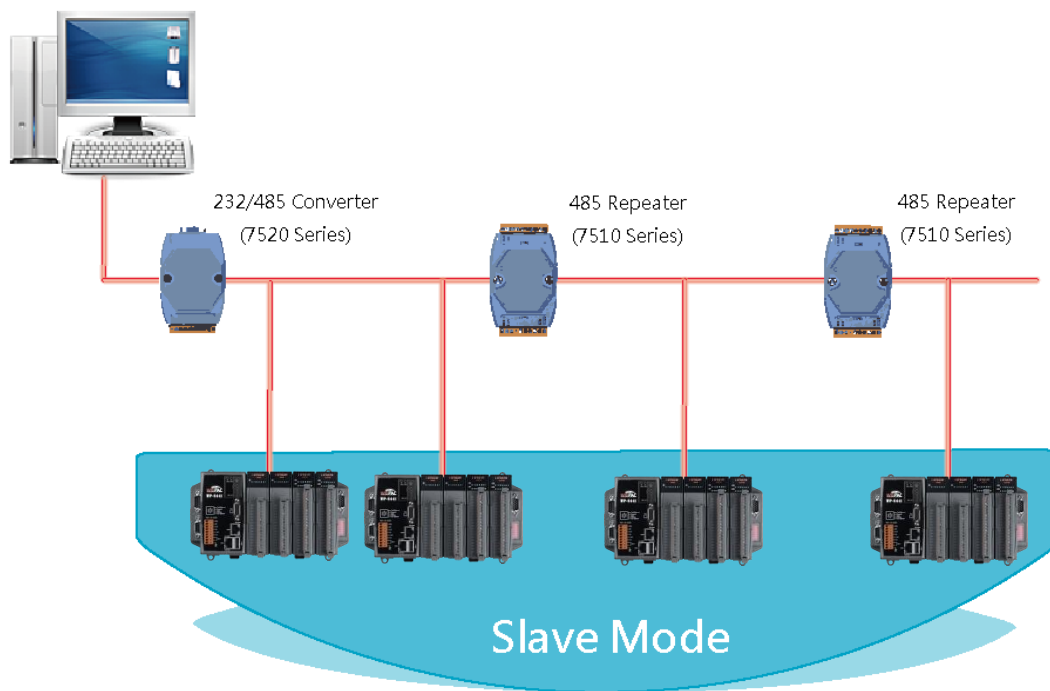
When WinPAC as a master using COM3 communication interface, the pull-high/pull-low resistor located on the power board must adjust to enable as shown below.



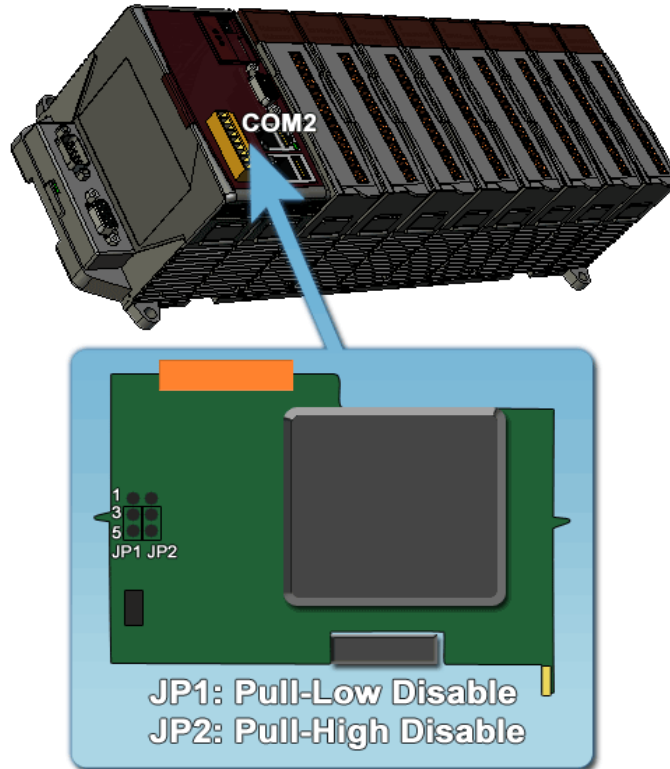
D.5.2. WinPAC as a Slave

For most of application, when using one 7520 series as RS-232/485 converter, its pull-high/pull-low resistors are set to enabled. Then the WinPAC-8000 and all the other devices on this network must be slave mode (the pull-high/pull-low resistors must be disabled).

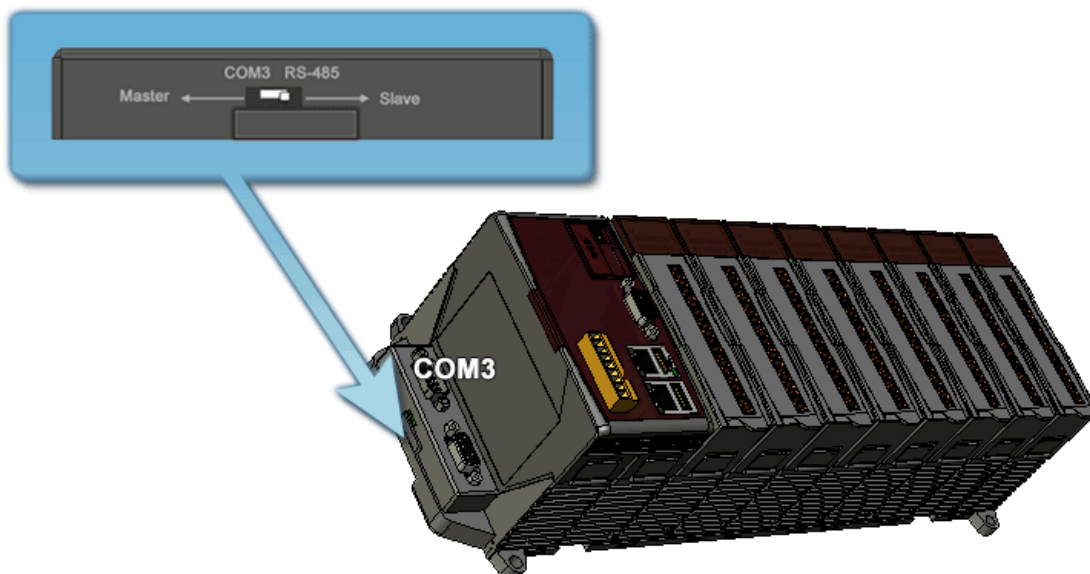
If there are repeaters on the RS-485 network, there will be pull-high/pull-low resistors on both sides of the repeaters (I-7510)



When WinPAC as a slave using COM2 communication interface, the pull-high/pull-low resistor located on the power board must adjust to disabled as shown below.



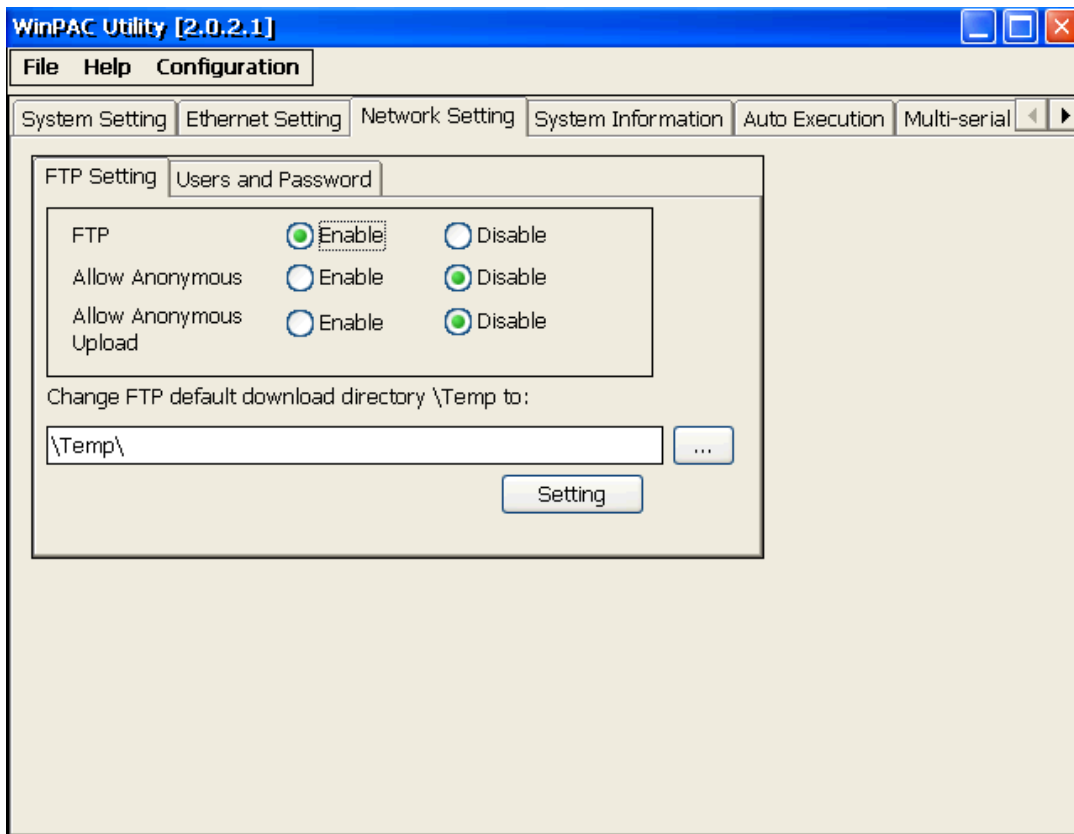
When WinPAC as a slave using COM3 communication interface, the pull-high /pull-low resistor located on the power board must set to “Slave” as shown below.



Appendix E. Tips – How to

E.1. How to set up a telnet and FTP account to login WinPAC

WinPAC Utility has an account management function that controls the user that has access into the telnet and FTP server.



E.1.1. Add a telnet and FTP account

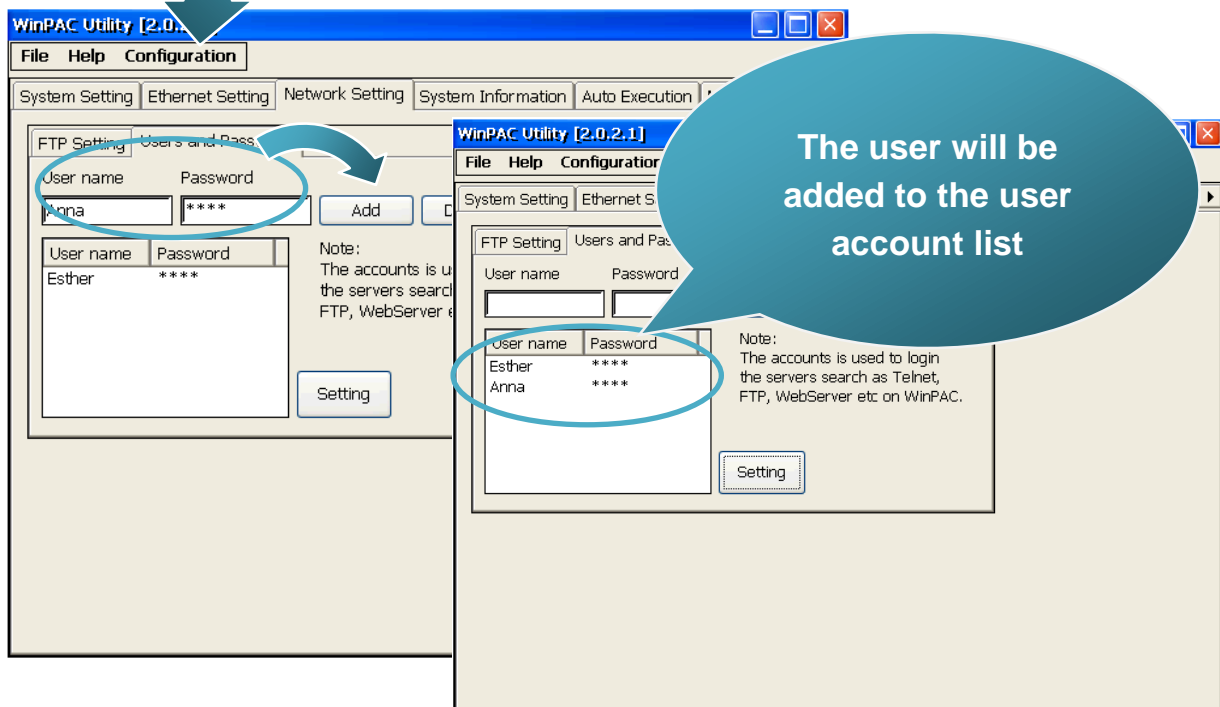
To establish a new telnet and FTP account, please perform the following steps:



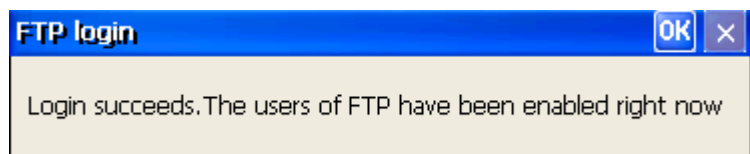
Step 1: Run the WinPAC Utility located on desktop

Step 2: Select the Network Setting tab, and then select the Users and Password tab

Step 3: Fill a user account in the User name and Password field, and then press Add button, the user will be added to the user account list




Step 4: Press Setting button
If the login succeeds, the dialog will display when the user account has been created



E.1.2. Remove a telnet and FTP account

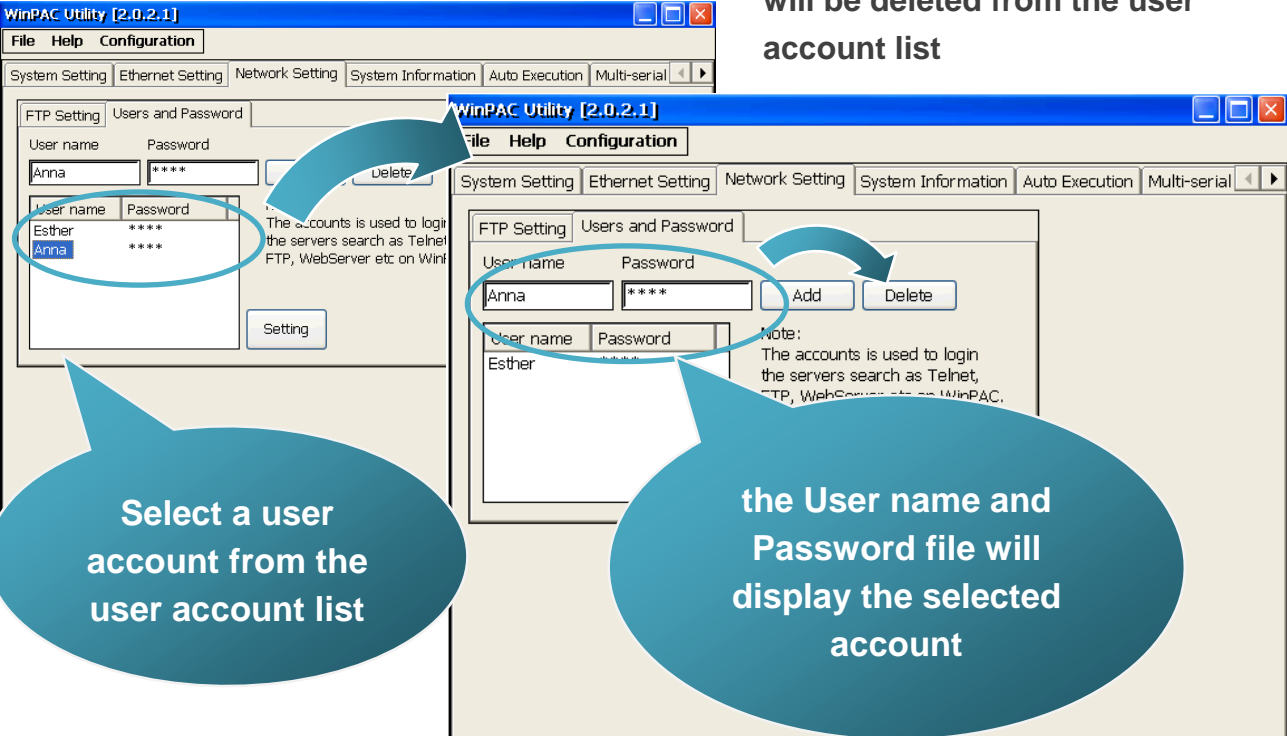
To remove a telnet and FTP account, please perform the following steps:

Step 1: Run the WinPAC Utility located on desktop



Step 2: Select the Network Setting tab, and then select a user account from the user account list. The user account that you select will display in the User name and Password field

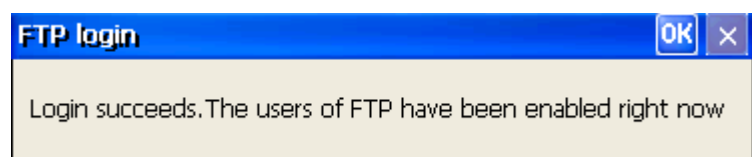
Step 3: Press Delete button, the user will be deleted from the user account list



Select a user account from the user account list

the User name and Password file will display the selected account

Step 4: Press Setting button
If the login succeeds, the dialog will display when the user account has been removed

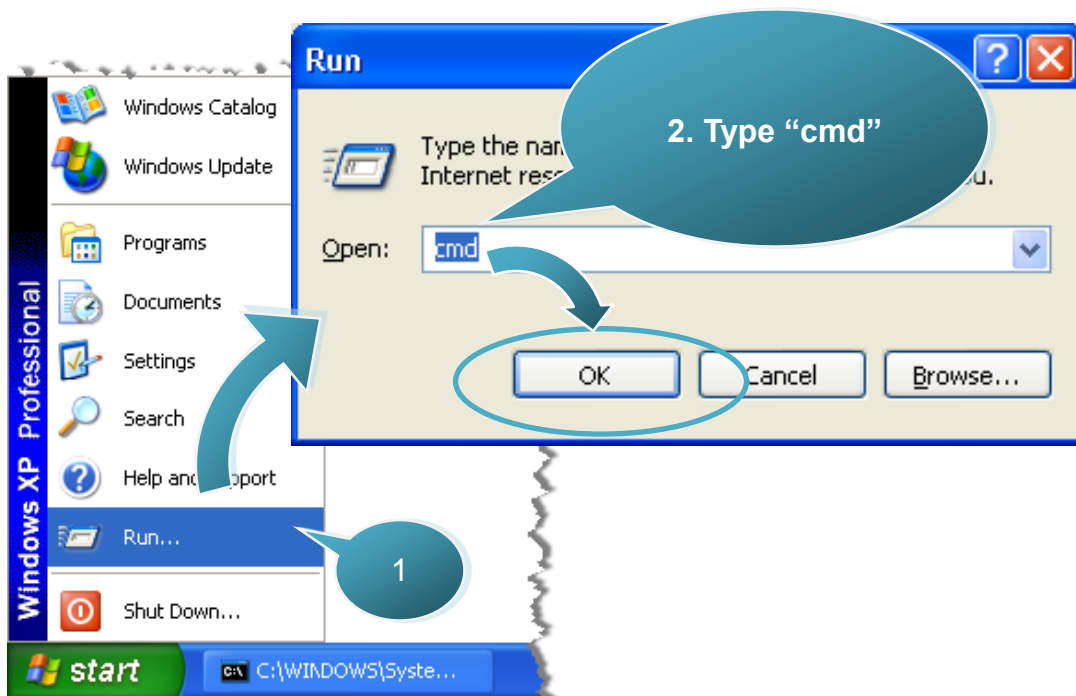


E.1.3. Use a Telnet to login WinPAC from PC

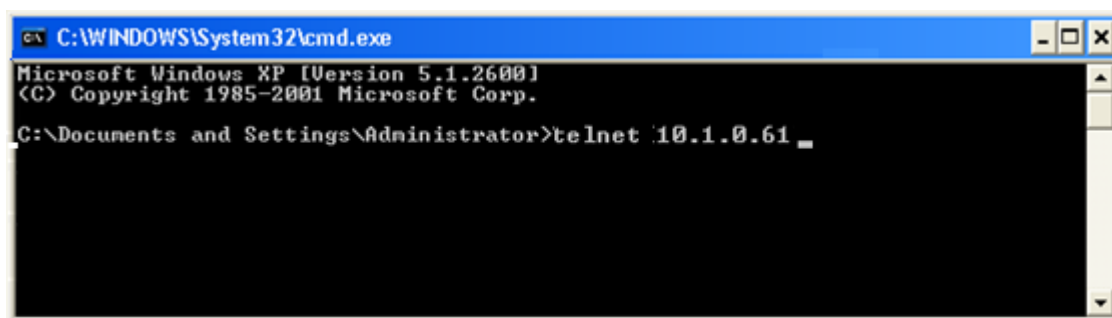
To use telnet to login WinPAC from PC, please perform the following steps:

Step 1: On the PC side, select Run from the start menu

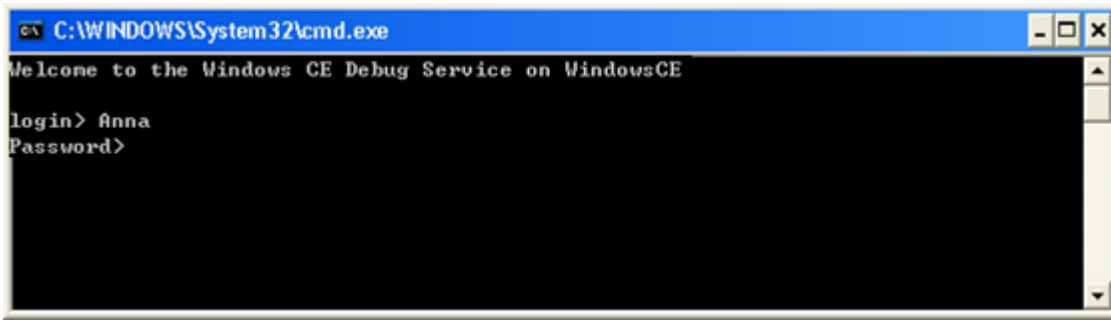
Step 2: Type cmd, and then press OK button



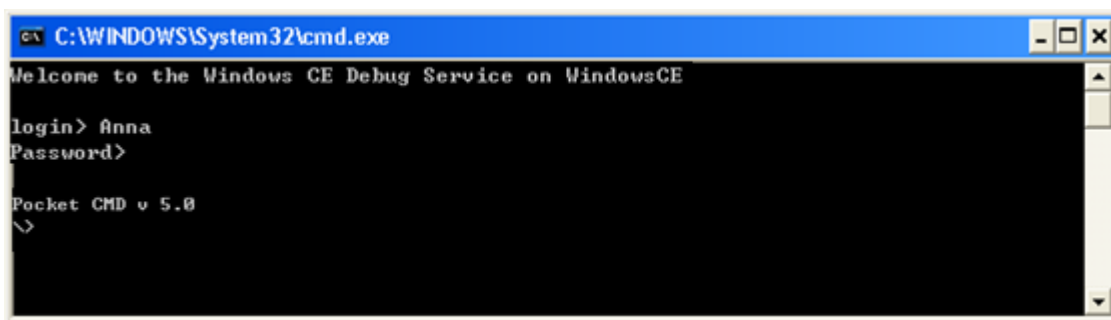
Step 3: Type "telnet IP address" to connect to WinPAC



Step 4: Type user name and password to login



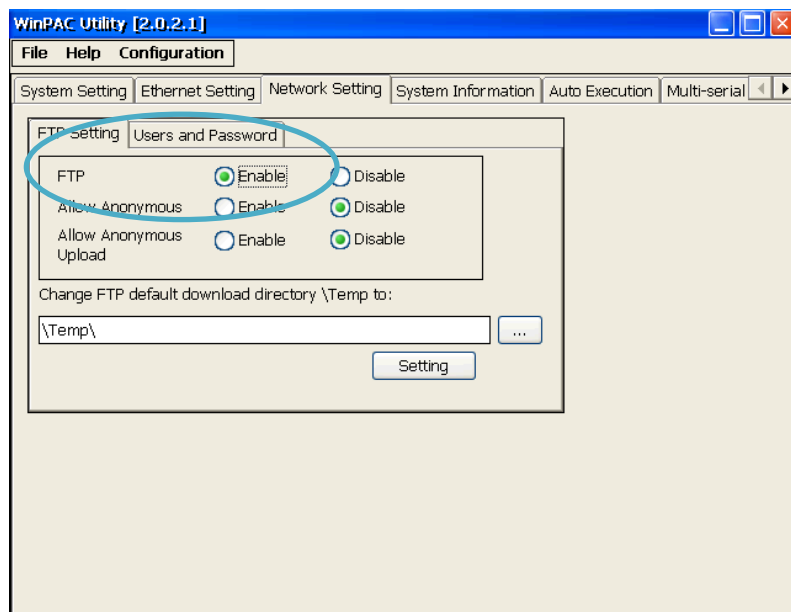
Step 5: The connection has been established



Tips & Warnings



If you can't login, please check that the FTP setting is enabled.



E.2. How to online debug WinPAC

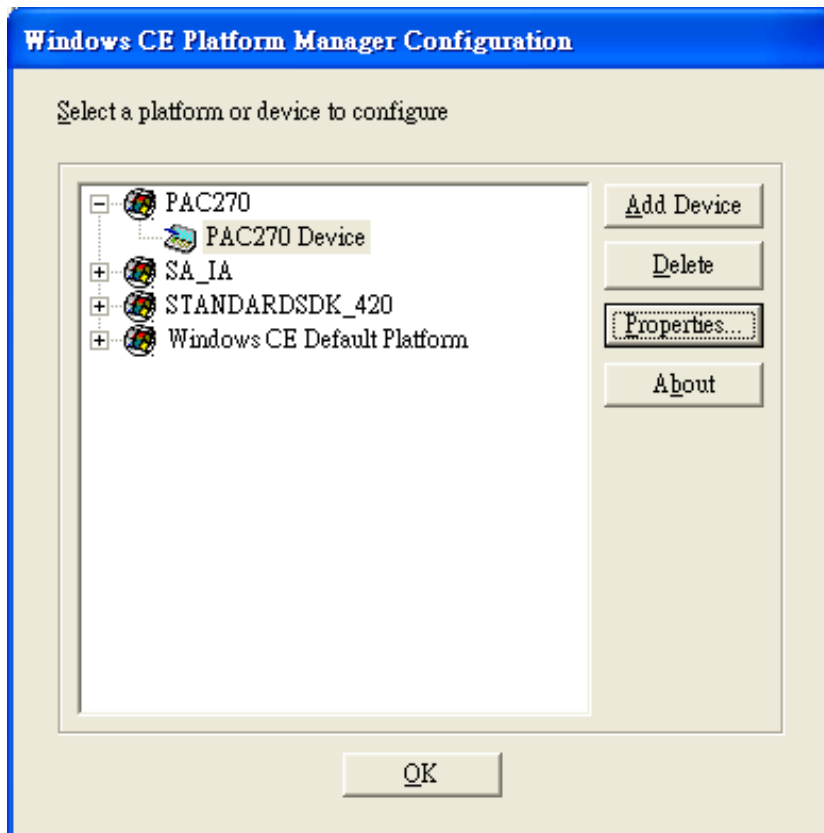
Debugging is a process that you use to find and resolve errors, or bugs, in a program.

E.2.1. Debug WinPAC programs in EVC++

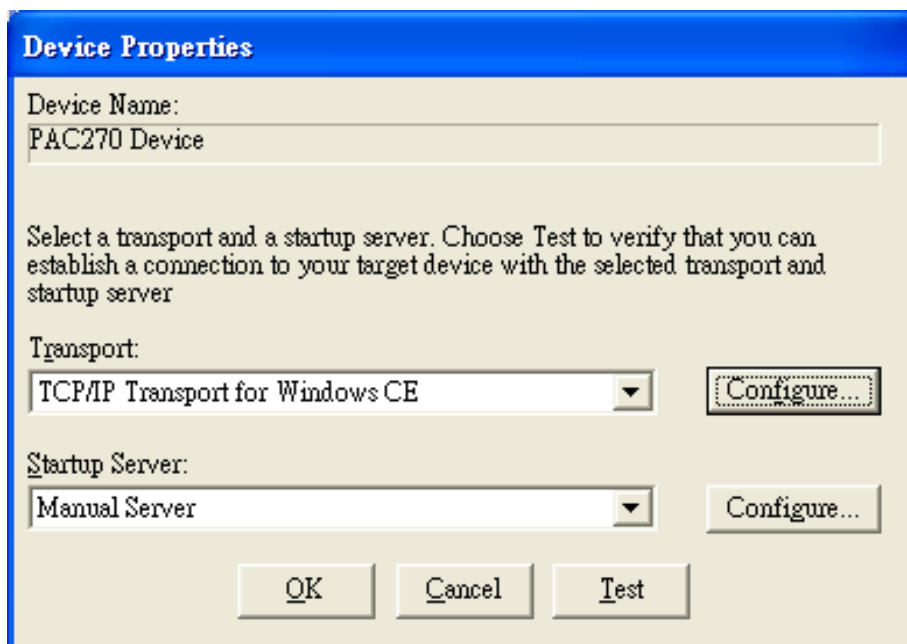
Step 1: On the “Tools” menu, click “Configure Platform Manager...” command



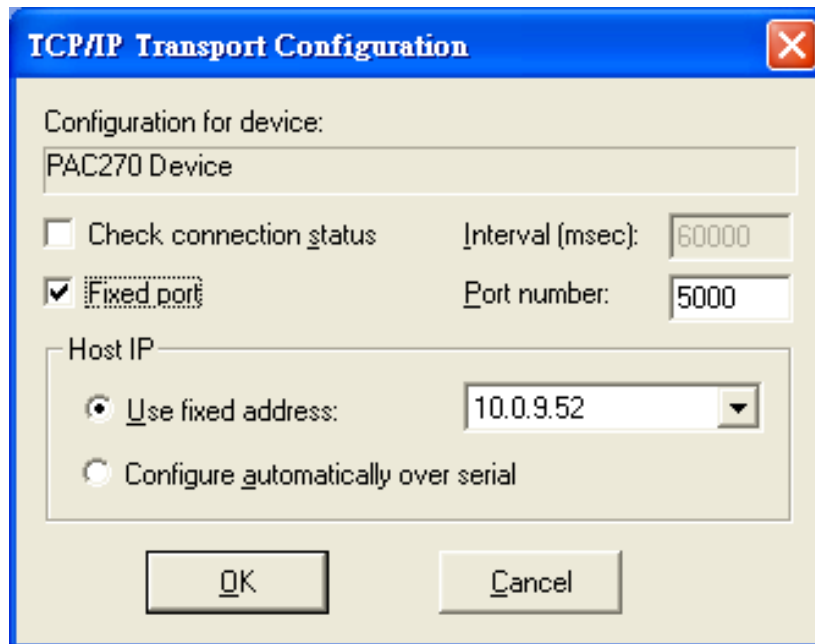
Step 2: On the “Windows CE Platform Manager Configuration” dialog, click the “Properties...” button



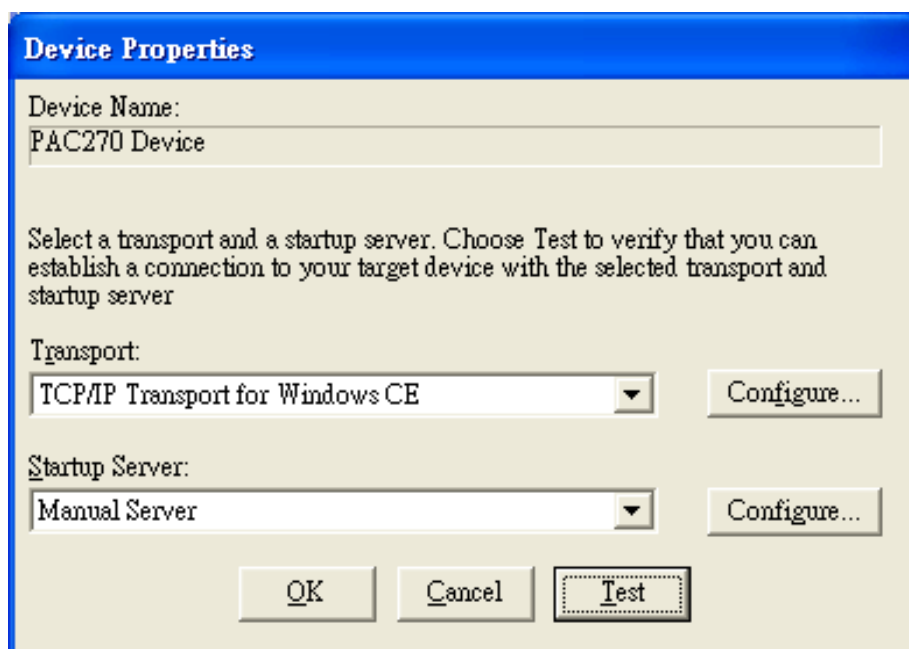
Step 3: On the “Device Properties” dialog, click the “Configure...” button



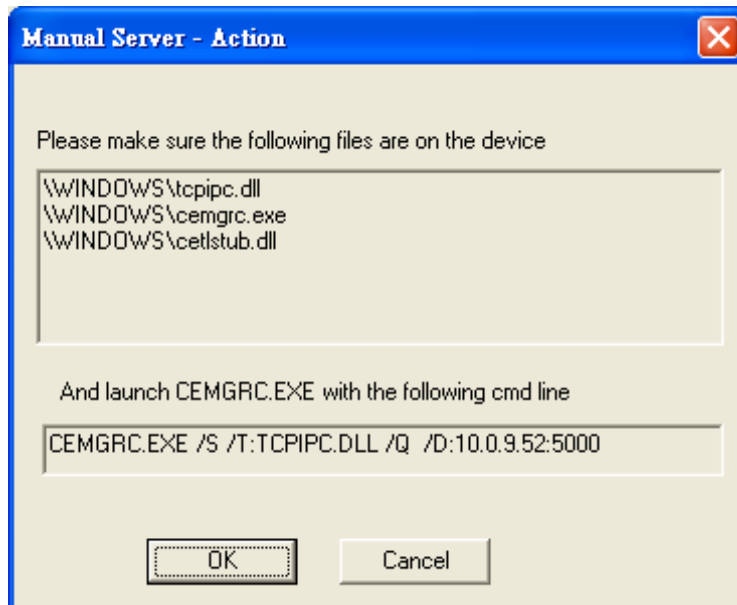
Step 4: On the “TCP/IP Transport Configuration” dialog, select the “Fixed port” check box, and then click the “OK” button



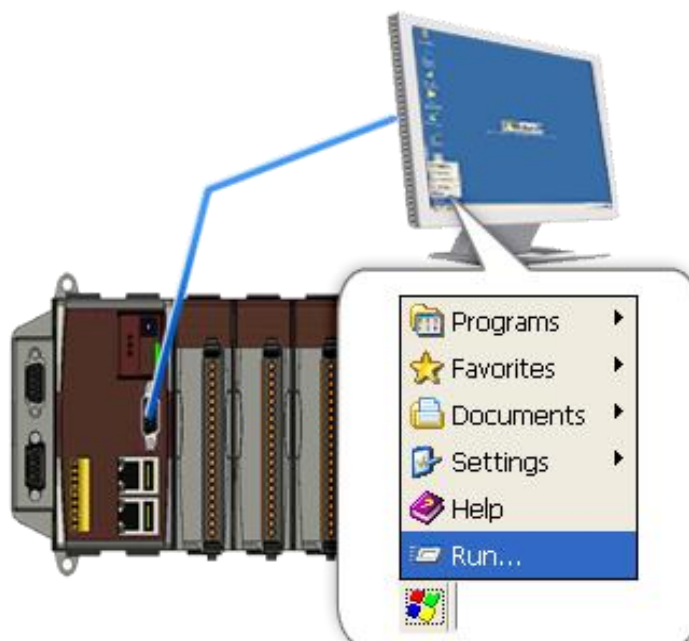
Step 5: On the “Windows CE Platform Manager Configuration” dialog, click the “Test” button



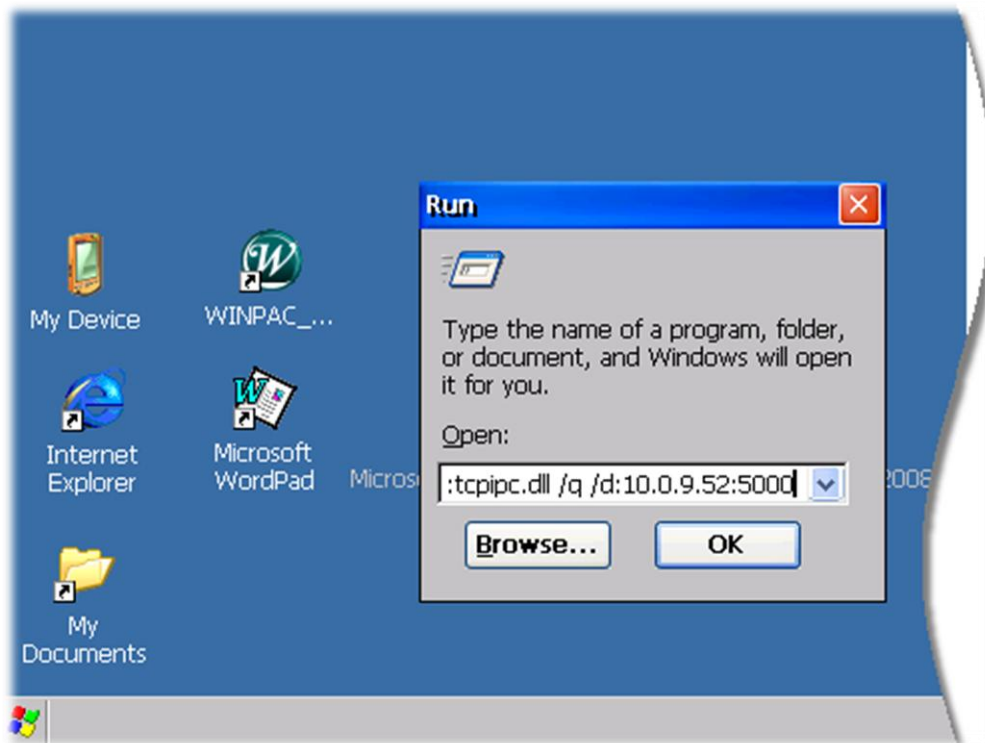
Step 6: The “Manual Server - Action” dialog will appear displaying a command line, before click the “OK” button to close dialog, turn to the WinPAC controller side to do the next two-steps



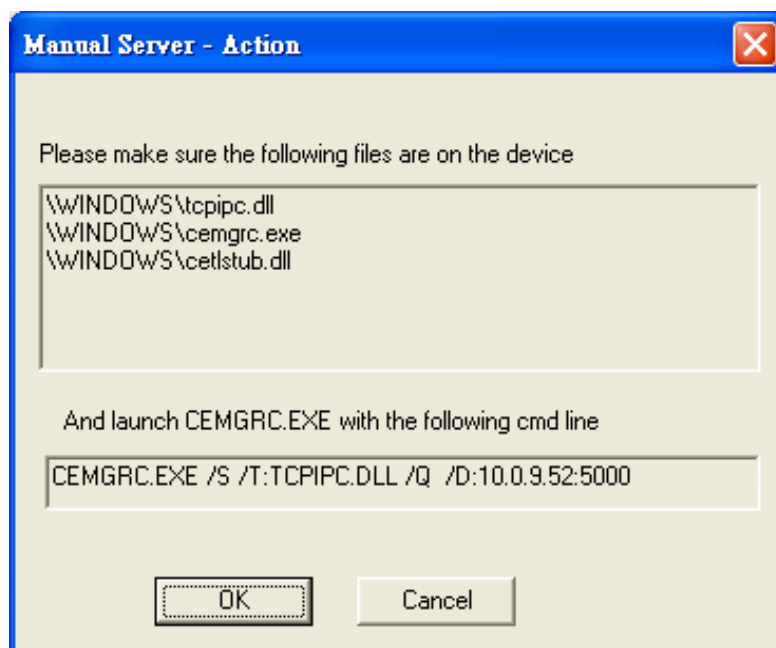
Step 7: On the WinPAC, select the “ Start”  menu, and then click the “Run...” command



Step 8: On the “Run” dialog, type the command which displays in step 6 and then click the “OK” button



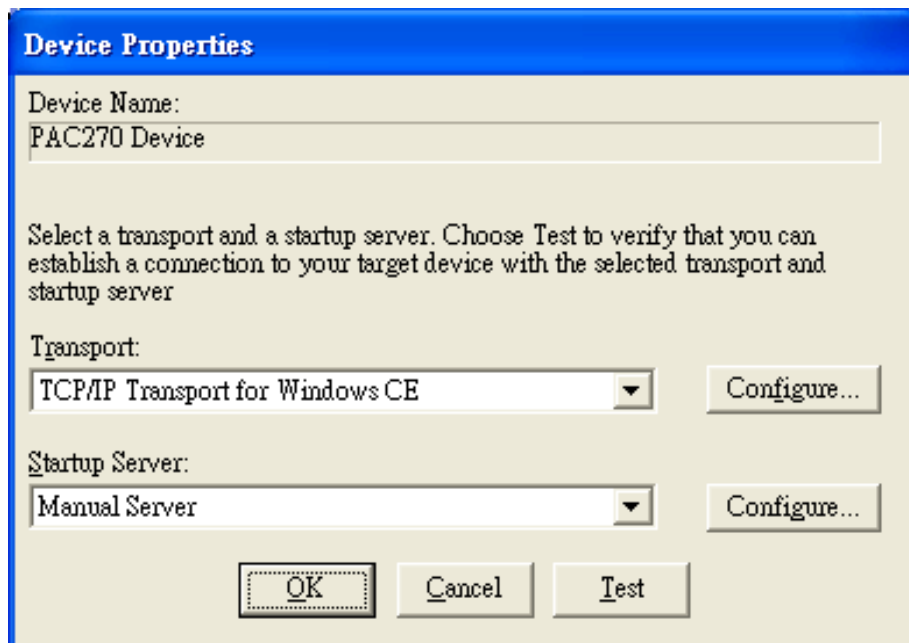
Step 9: Return to the Host PC side, on the “Manual Server – Action” dialog, click the “OK” button



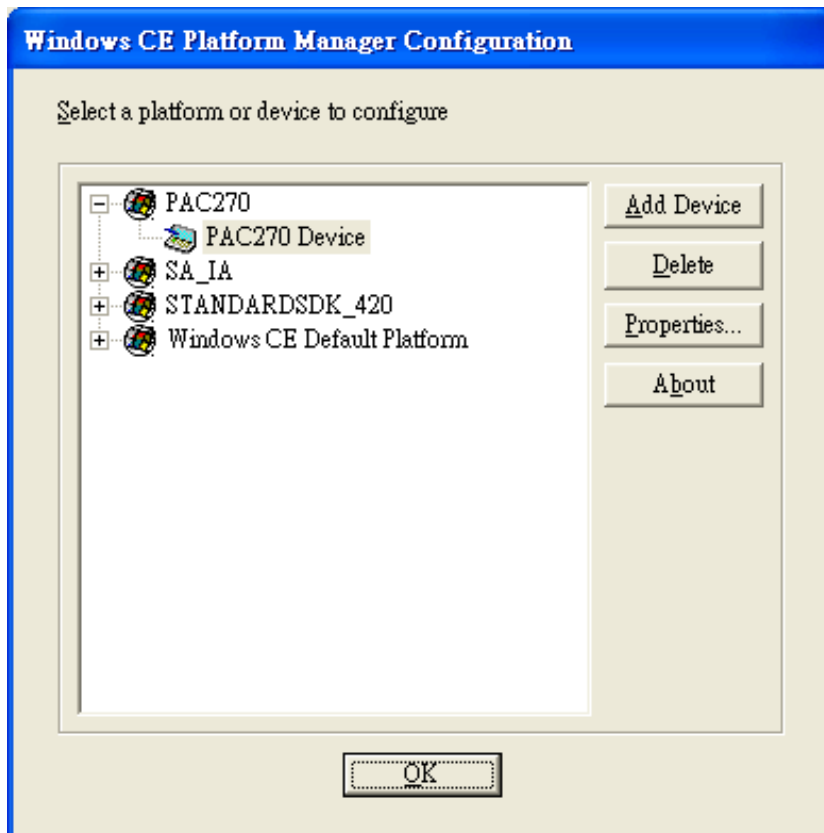
Step 10: On the “Testing Device Connection” dialog, click the “OK” button



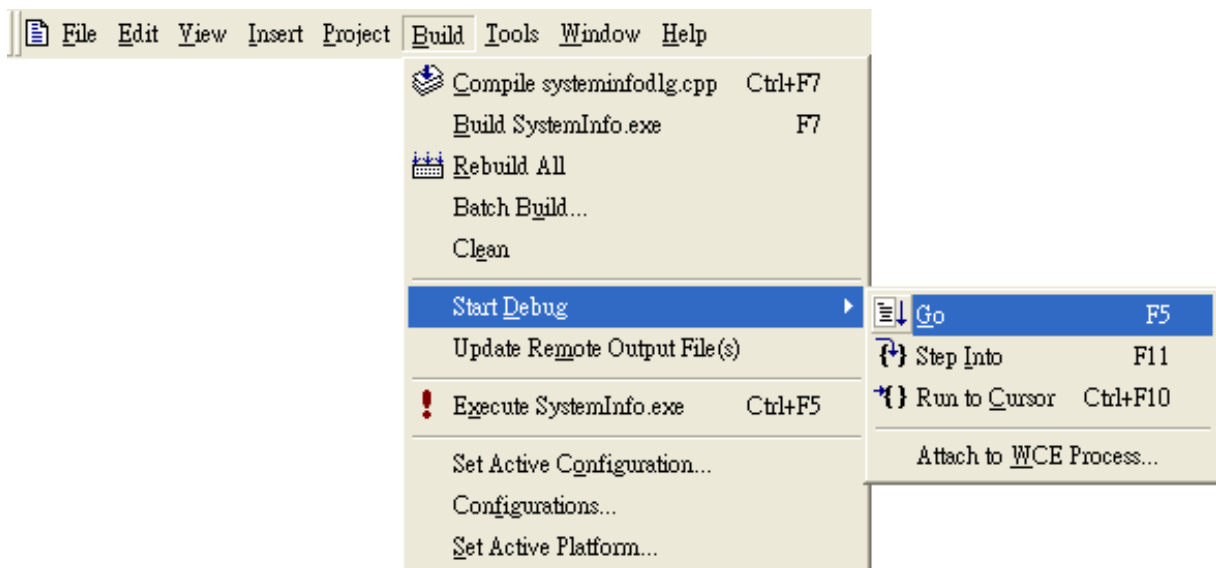
Step 11: On the “Device Properties” dialog, click the “OK” button



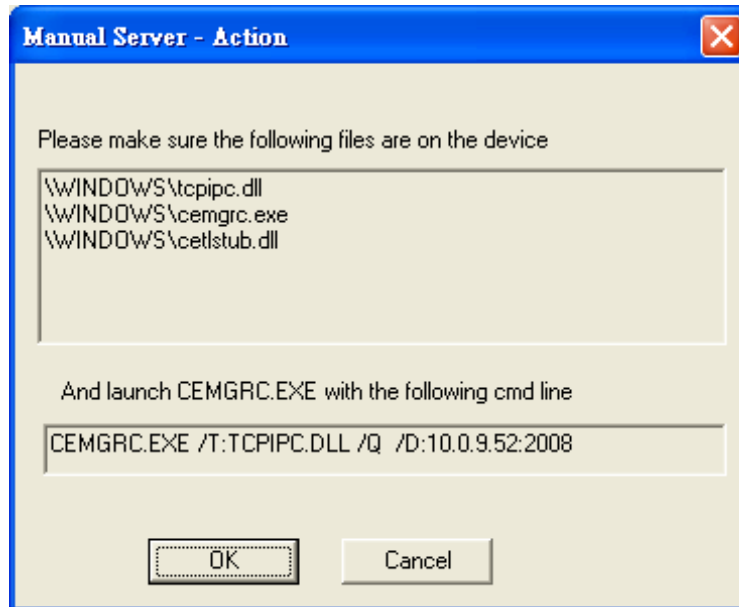
Step 12: On the “Windows CE platform or device to configure” dialog, click the “OK” button



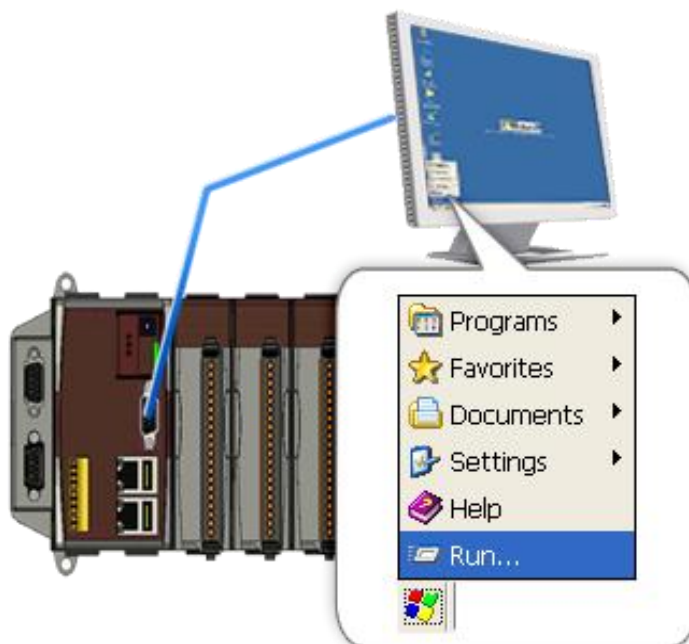
Step 13: On the “Build” menu, select the “Start Debug” command and then click the “Go” command



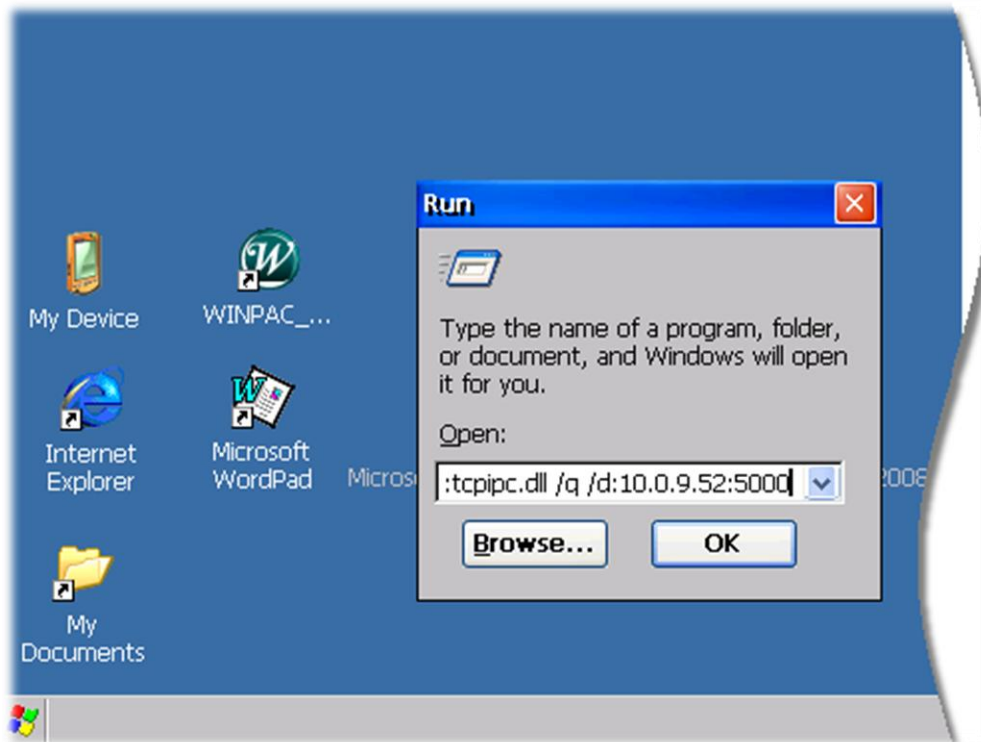
Step 14: The “Manual Server - Action” dialog will appear displaying a command line, before click the “OK” button to close dialog, turn to the WinPAC controller side to do the next two-steps



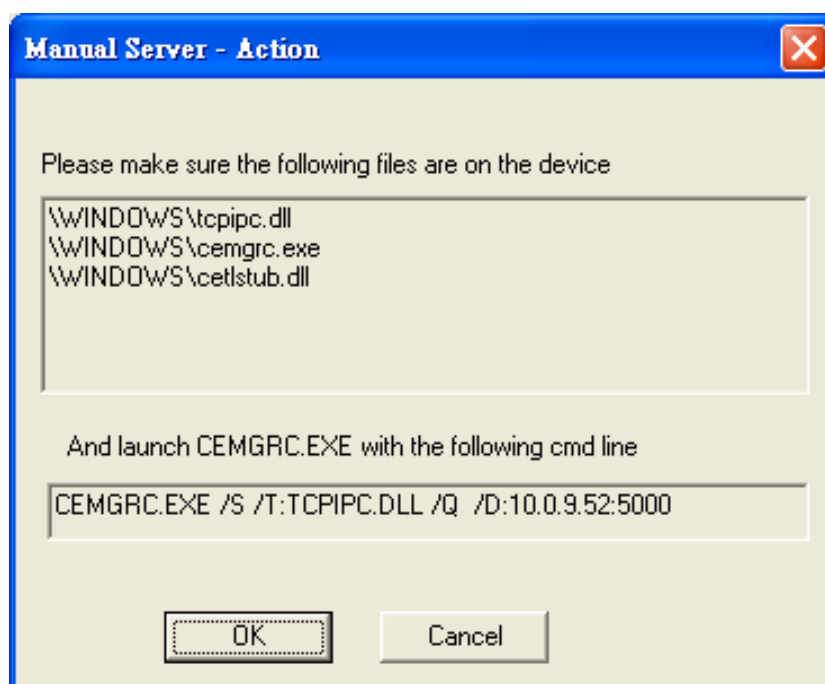
Step 15: On the WinPAC, select the “ Start” menu,  and then click the “Run...” command



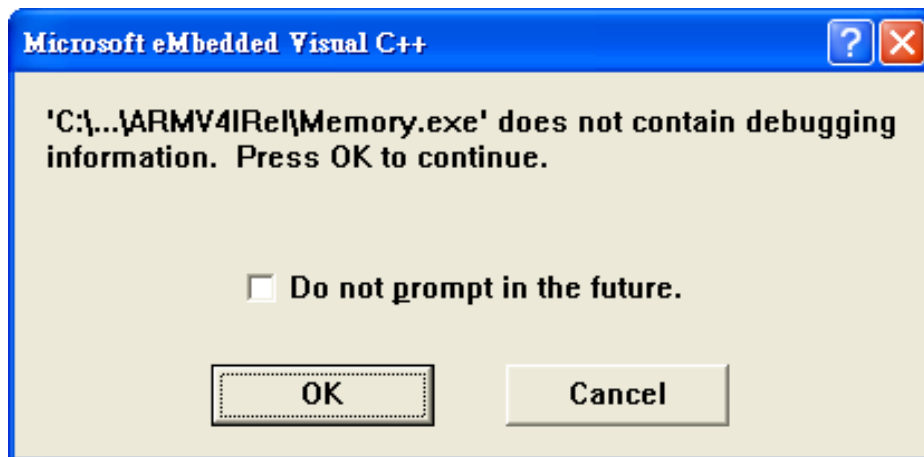
Step 16: On the “Run” dialog, type the command which displays in step 5 and then click the “OK” button



Step 17: Return to the Host PC side, on the “Manual Server – Action” dialog, click the “OK” button



Step 18: On the “Manual Server - Action” dialog, click the “OK” button

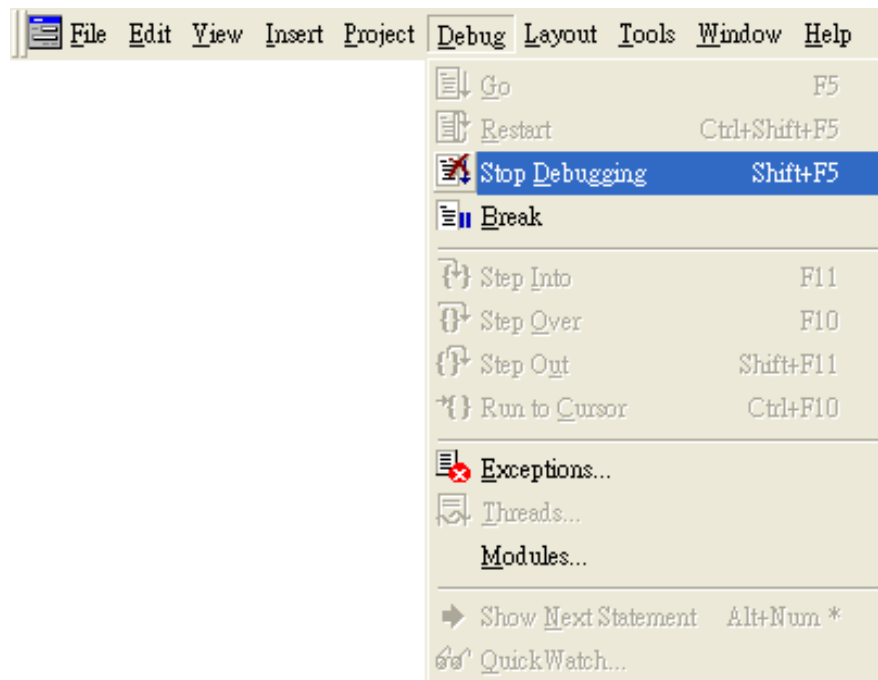


Step 19: Connection established. Then you can debug on line.

Tips & Warnings



If you want to quit the debugger and return to editing, you can click the “Stop Debugging” button from “Debug” menu



E.2.2. Debug WinPAC programs in Visual Studio 2005/2008

Debugging in Visual Studio 2005/2008 are provided by WinPAC OS image V 1.3.0.4 or later.

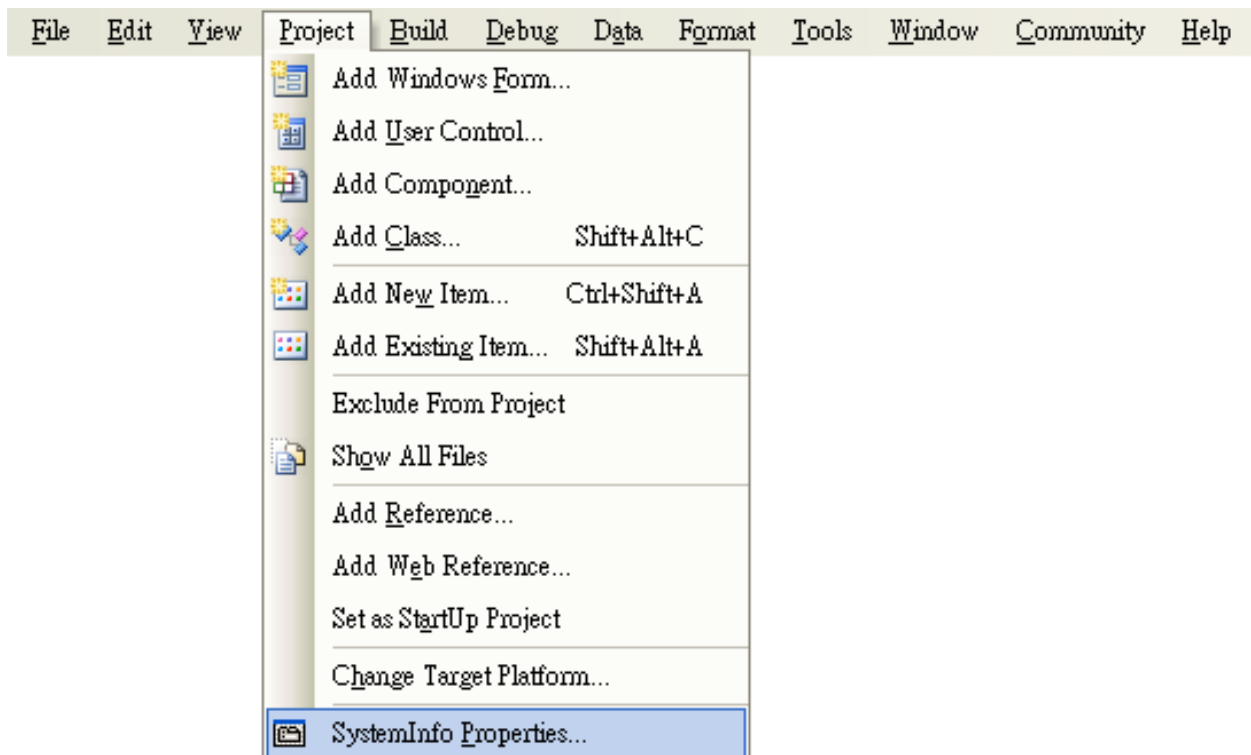
Step 1: Make sure the following file are listed with the matching version numbers

Path	File
C:\Program Files\Common Files\Microsoft Shared\CoreCon\1.0\Bin	1. ActiveSyncBootstrap.dll 2. ConMan2.dll 3. ConManPS.dll 4. DesktopDMA.dll 5. eDbgTL.dll 6. TcpConnectionC.dll
C:\Program Files\Common Files\Microsoft Shared\CoreCon\1.0\Bin\1033	conmanui.dll
C:\Program Files\Common Files\Microsoft Shared\CoreCon\1.0\Target\wce400\armv4i	1. DeviceDMA.dll 2. eDbgTL.dll 3. TcpConnectionA.dll 4. clientshutdown.exe 5. CMAccept.exe 6. ConmanClient2.exe

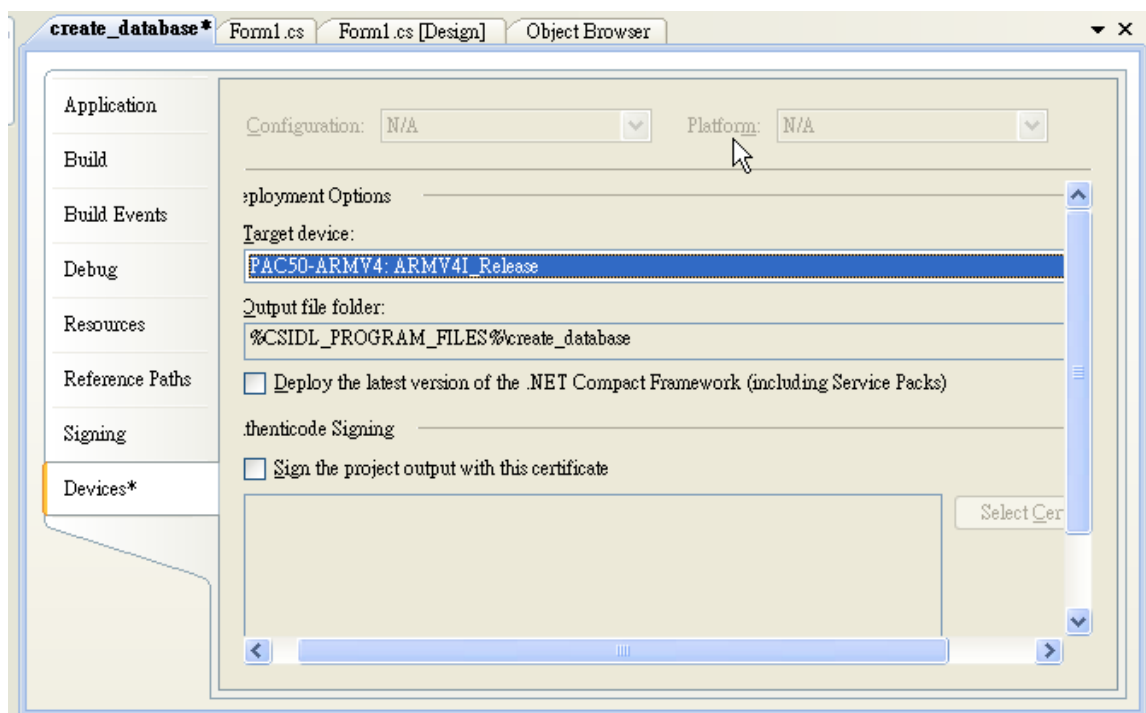
Step 2: If the version matches correctly and the entire file are there, copy the following files to WinPAC:\ System_Disk\ICPDAS\System folder

- ✓ Clientshutdown.exe
- ✓ ConmanClient2.exe
- ✓ CMAccept.exe
- ✓ eDbgTL.dll
- ✓ TcpConnectionA.dll

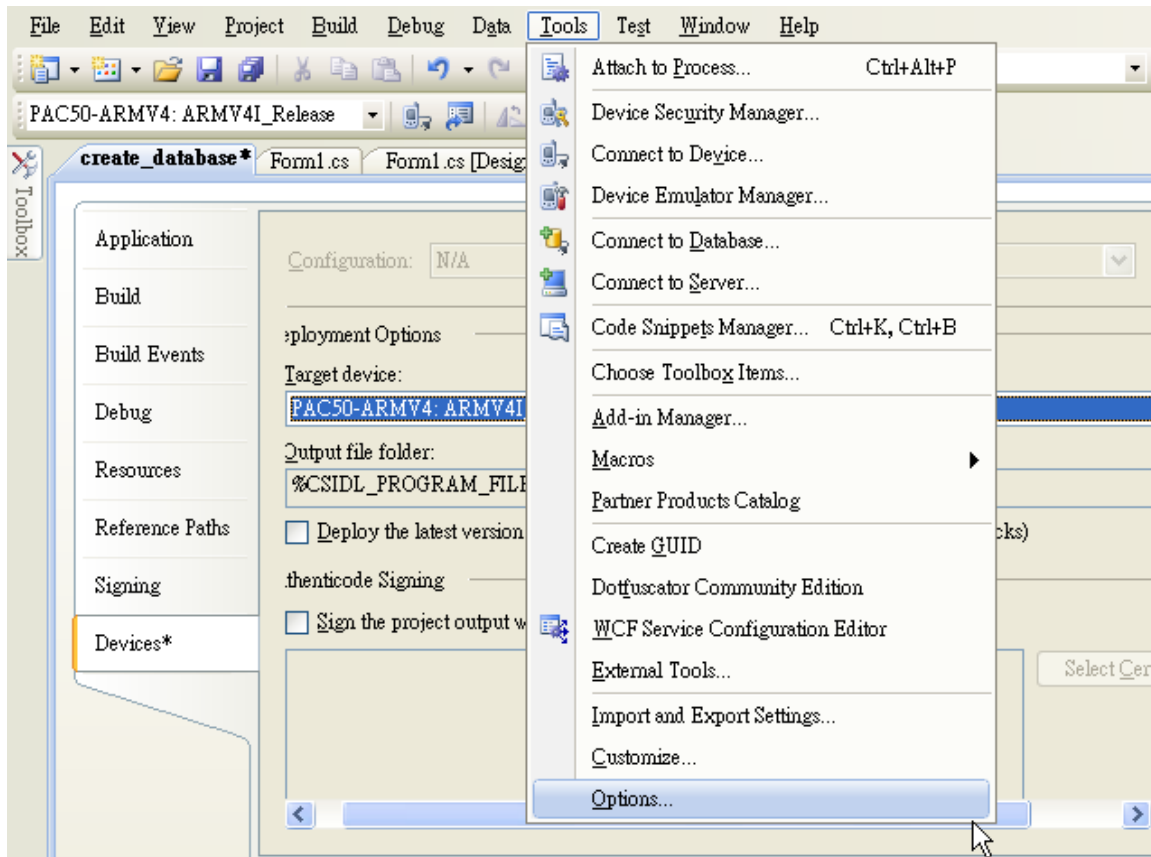
Step 3: On the “Project” menu, click “[Project Name] Properties...” command



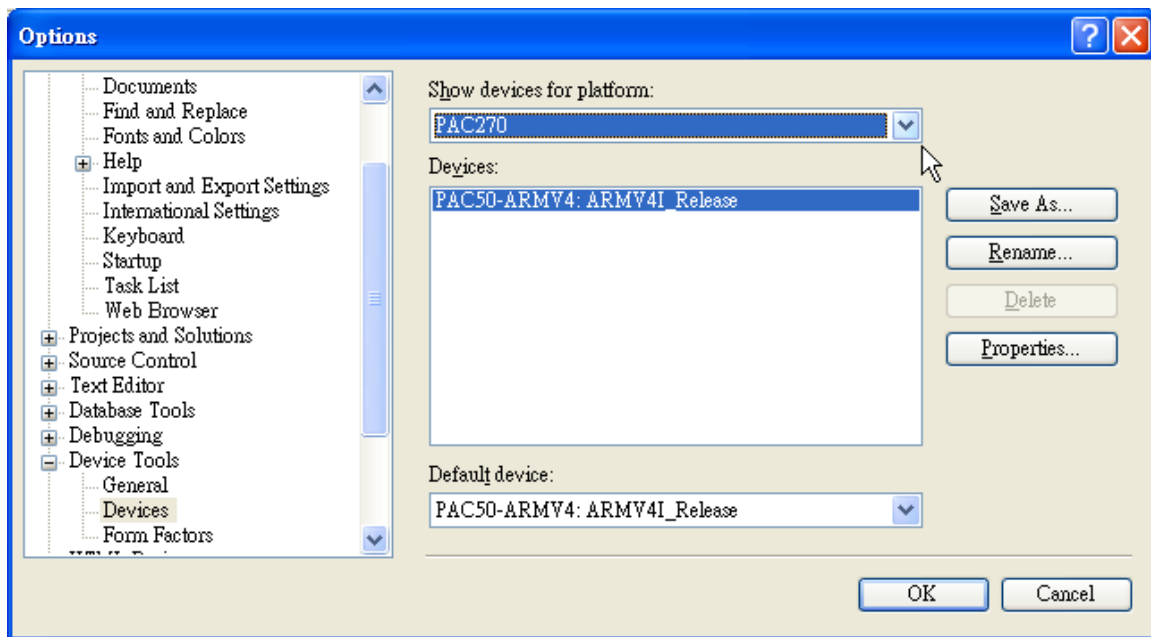
Step 4: On the “SystemInfo*” tab, unselect “Deploy the latest version of the .NET compact Framework (including Service Packs)” check box



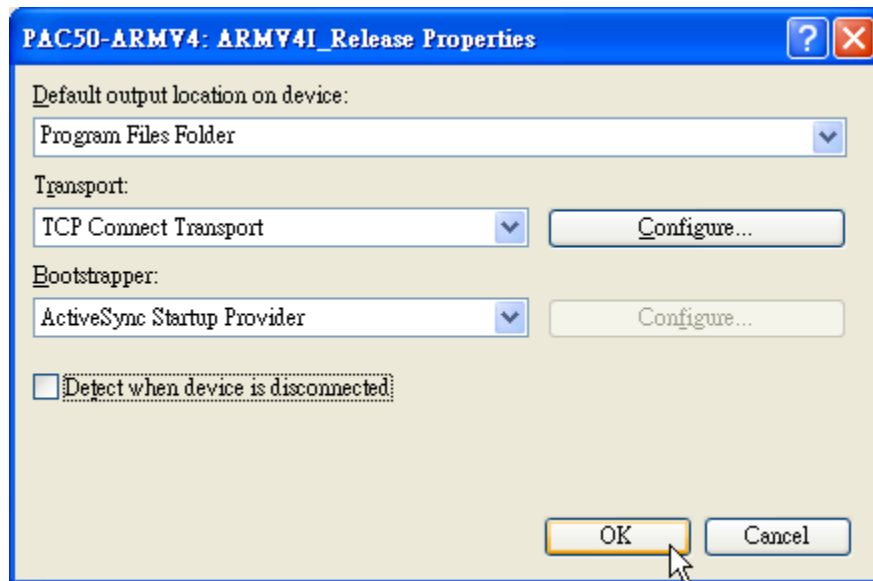
Step 5: On the “Tools” menu, click “Options...” command



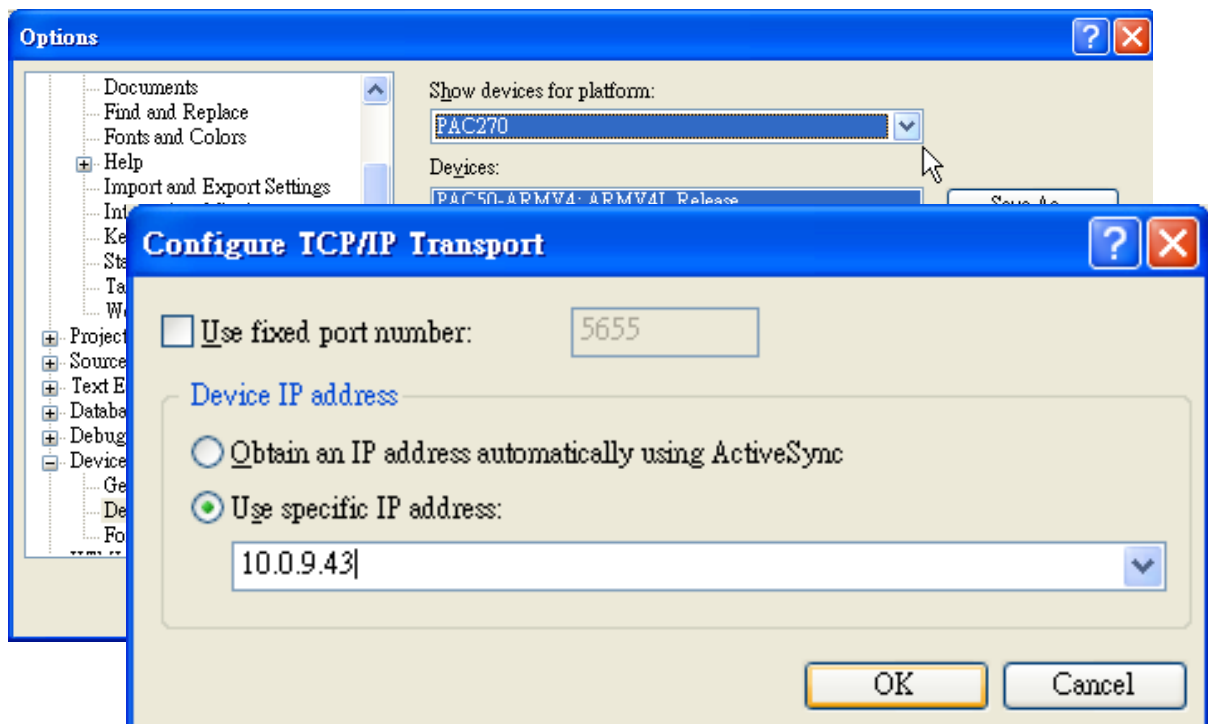
Step 6: On the “Options” dialog, select “PAC 270” from the “Show devices platform” list, and then click the “Properties...” button



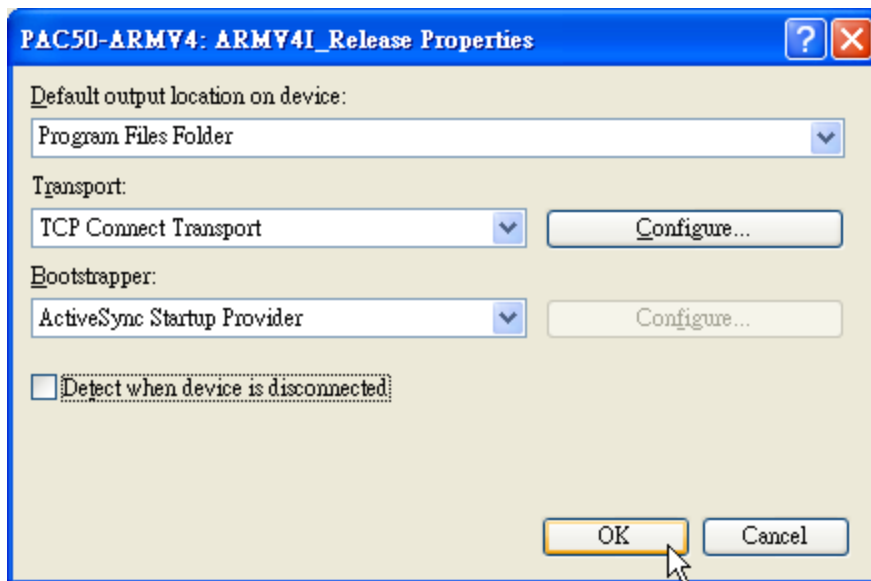
Step 7: On the “PAC50- ARMV4:ARMV4I_Release Properties” dialog, click the “Configure...” button



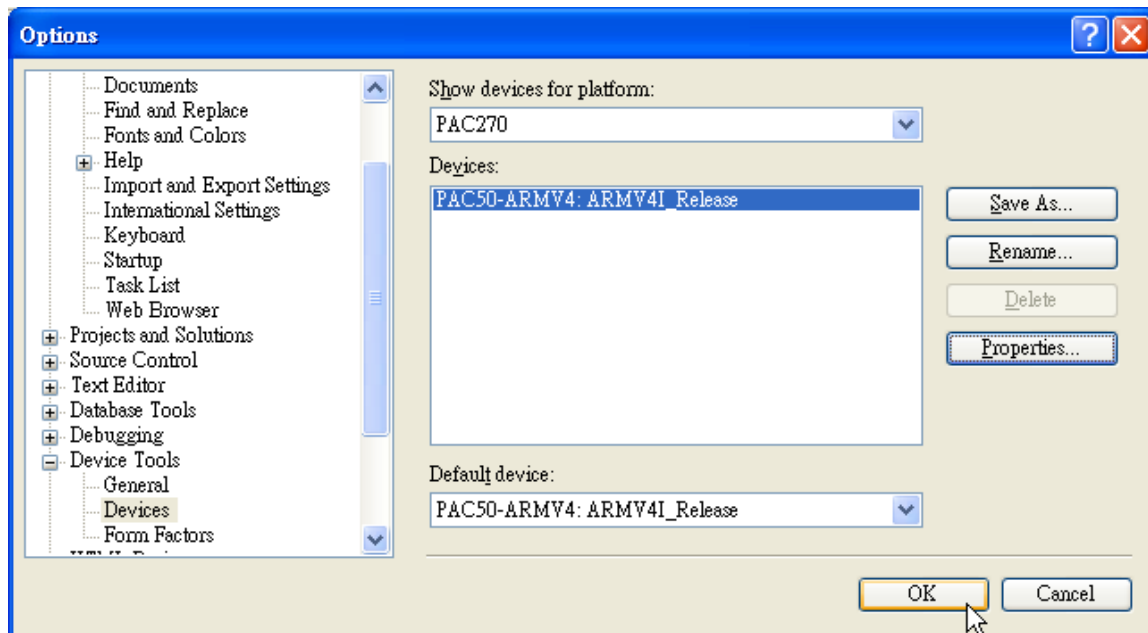
Step 8: On the “Configure TCP/IP Transport” dialog, select the “Use specific IP address” option and type the IP address of WinPAC, and then click the “OK” button



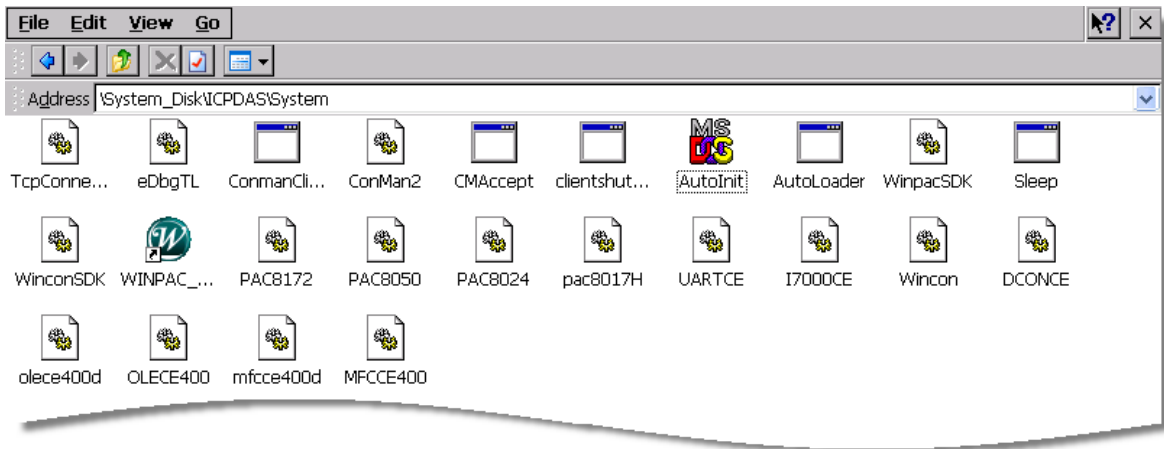
Step 9: On the “PAC50- ARMV4:ARMV4I_Release Properties” dialog, click the “OK” button



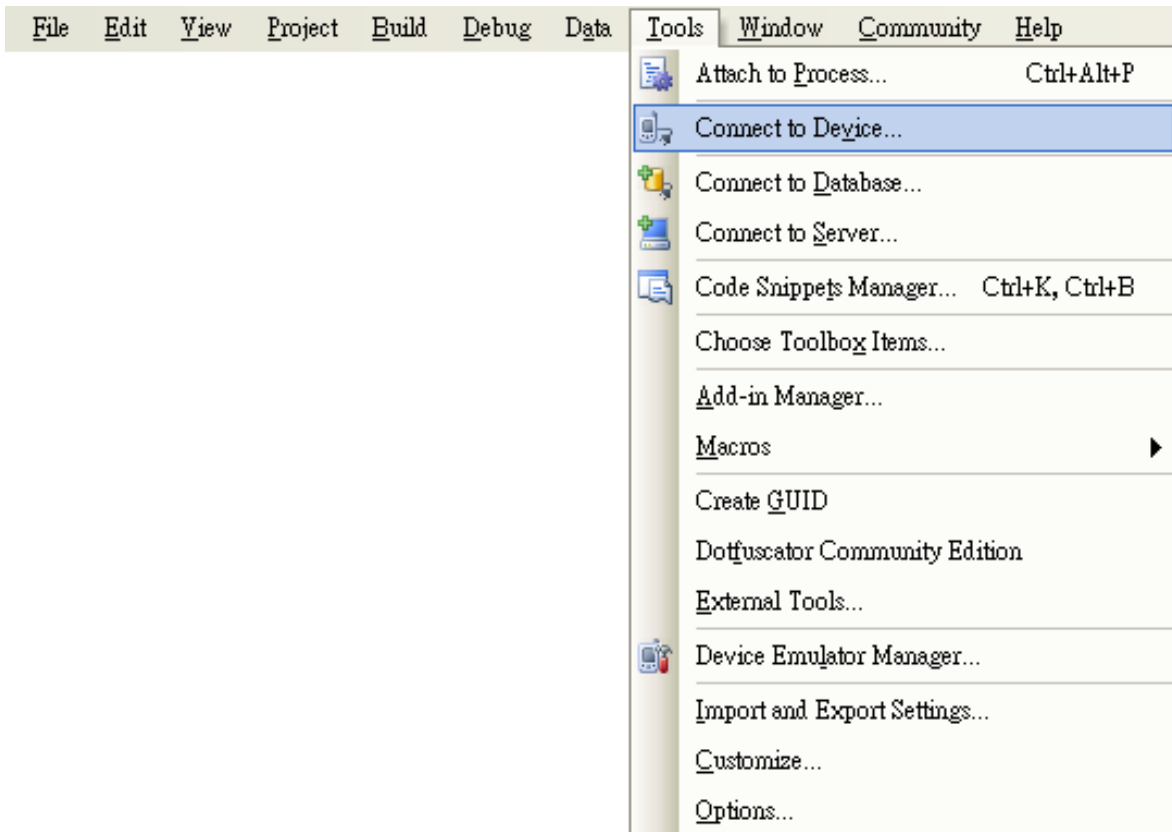
Step 10: On the “Options” dialog, click the “OK” button



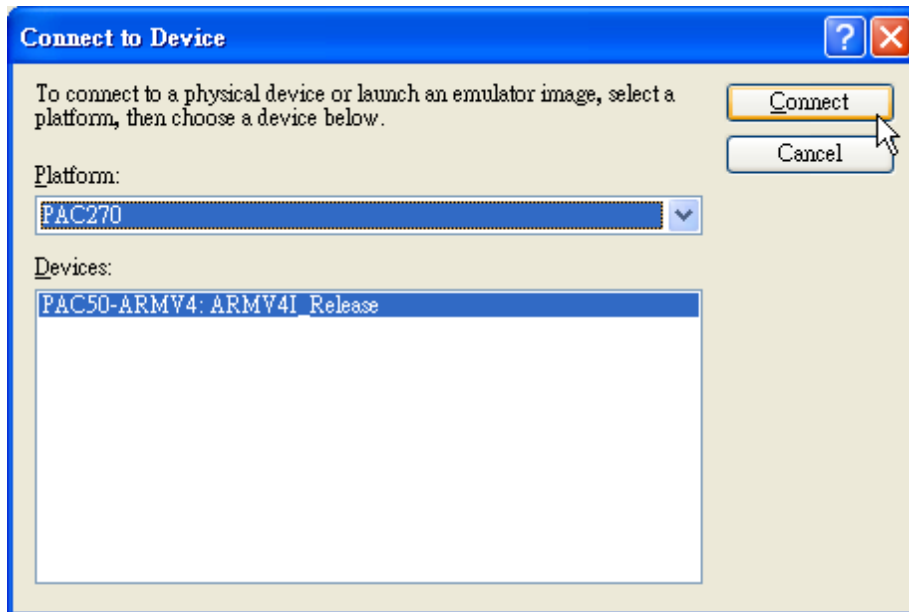
Step 11: On the WinPAC, run the “CommanClient2” and the “CMAccept.exe” applications which is located at: \System_Disk\ICPDAS\System



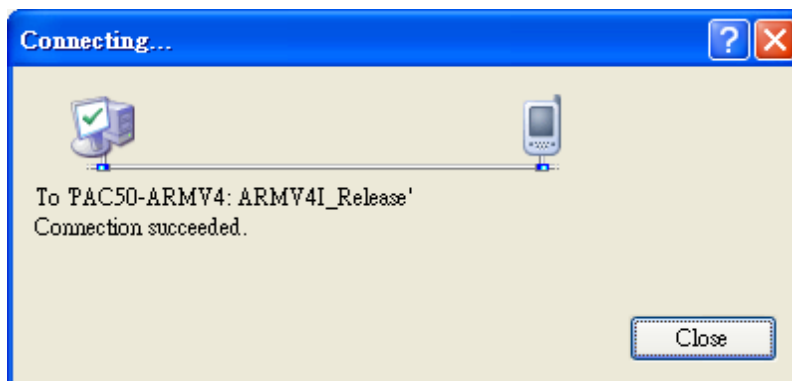
Step 12: On the “Tools” menu, click “Connect to Device...” command



Step 13: On the “Connect to Device” dialog, select “PAC 270” from “Platform” list and then click the “Connect” button



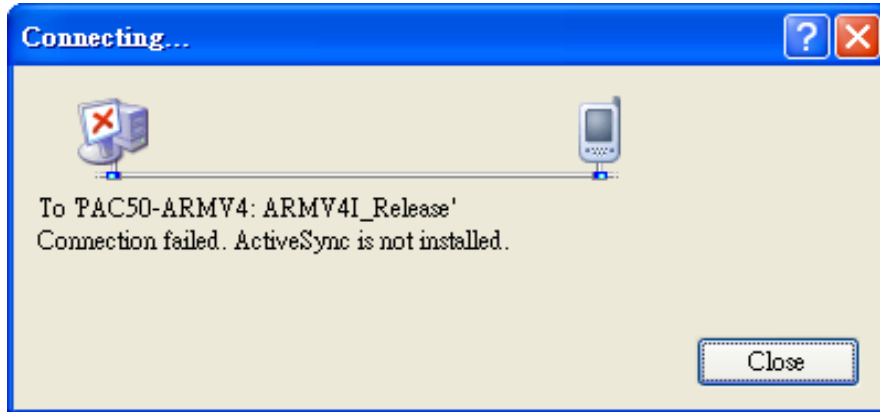
Step 14: On the “Tools” menu, click “Connect to Device...” command



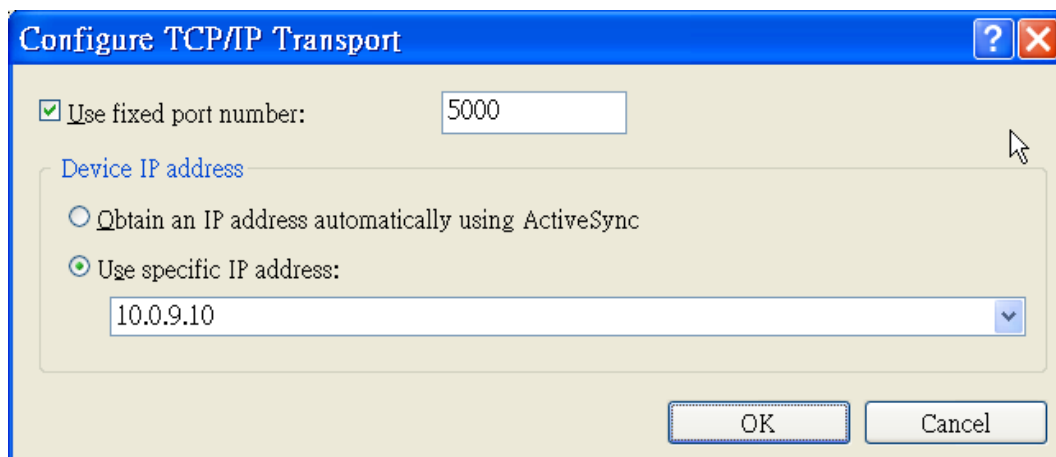
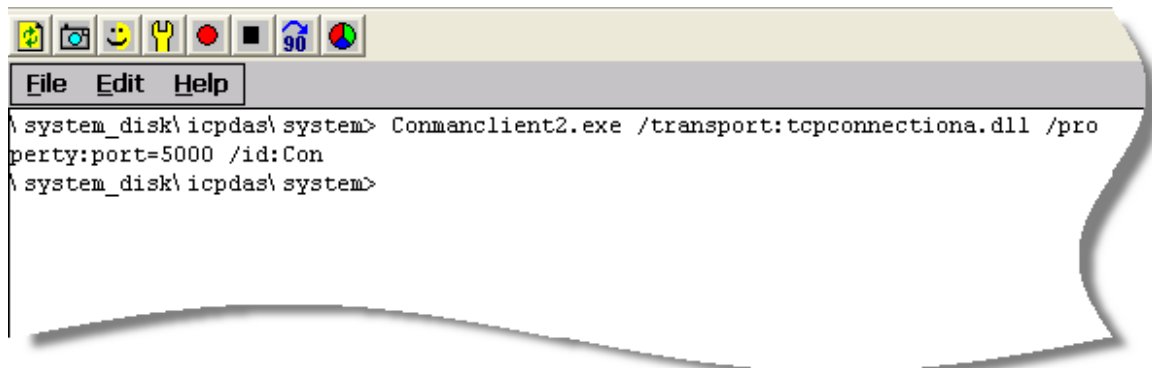
Step 15: Connection established. Then you can debug on line.

FAQ:

If the connection fails shown as follow, return to step 11 to do the action below



Open the command prompt, run the “CommanClient2.exe/transport:tcpconnectiona.dll/property:port=5000/id:Con” at: \System_Disk\ICPDAS\System, and then run the “CMAccept.exe”



E.3. How to recompile WinCon programs

To recompile Wincon programs to run on WinPAC, certain components of the programs require an adjustment that divides into two parts:

1. Compiler old programs which ran on Wincon 8x3x and 8x4x
2. Modify .vcp file to upgrade the old WinCon project

Tips & Warnings

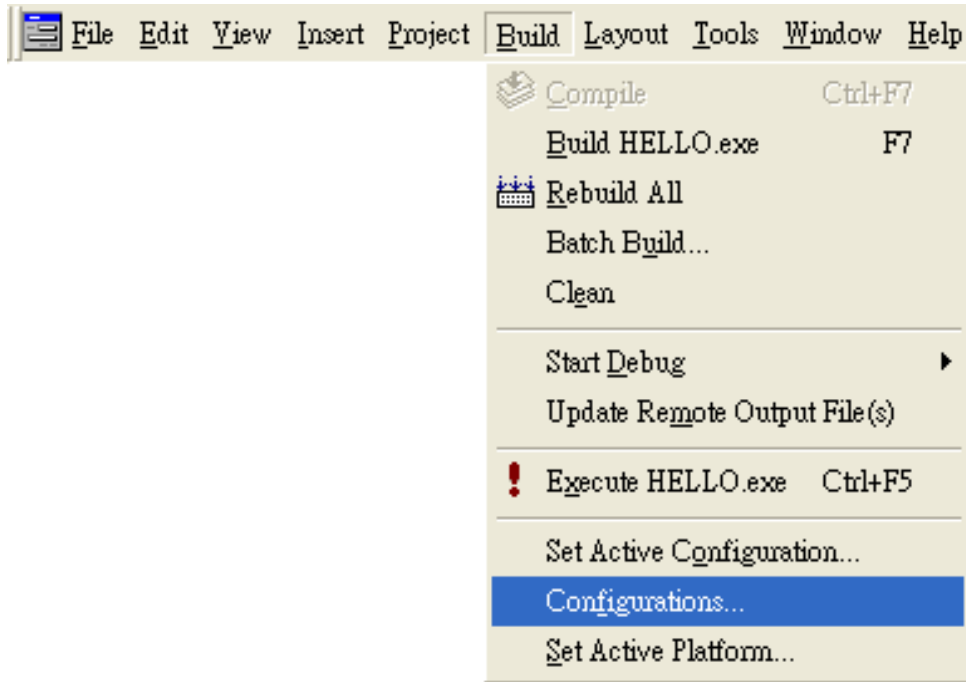


In general, you only need to do part 1, after this, if the program still can't be compiled to an application, the part 2 just need to do.

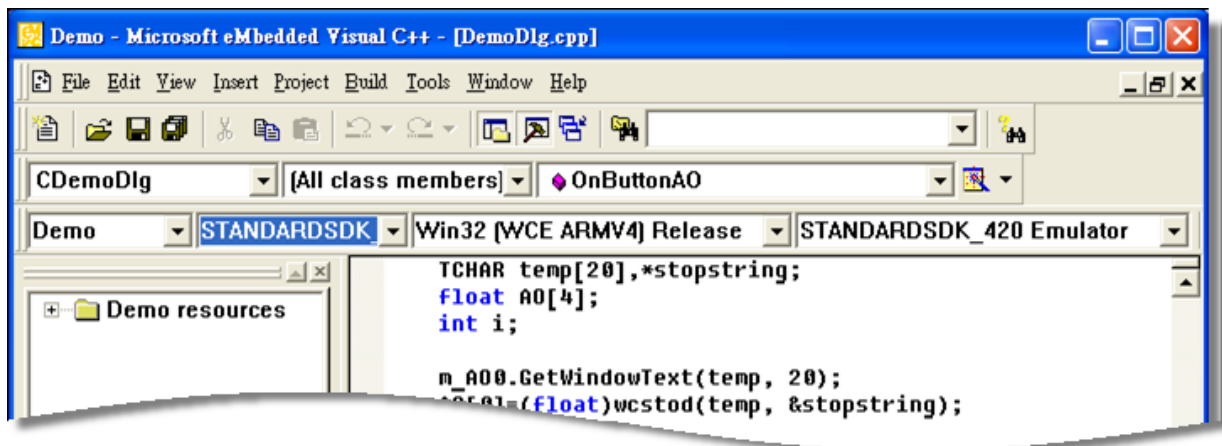
E.3.1. Compiler old programs which ran on Wincon 8x3x and 8x4x

Step 1: Open project which programmed in WinCon using eMbedded Visual C++

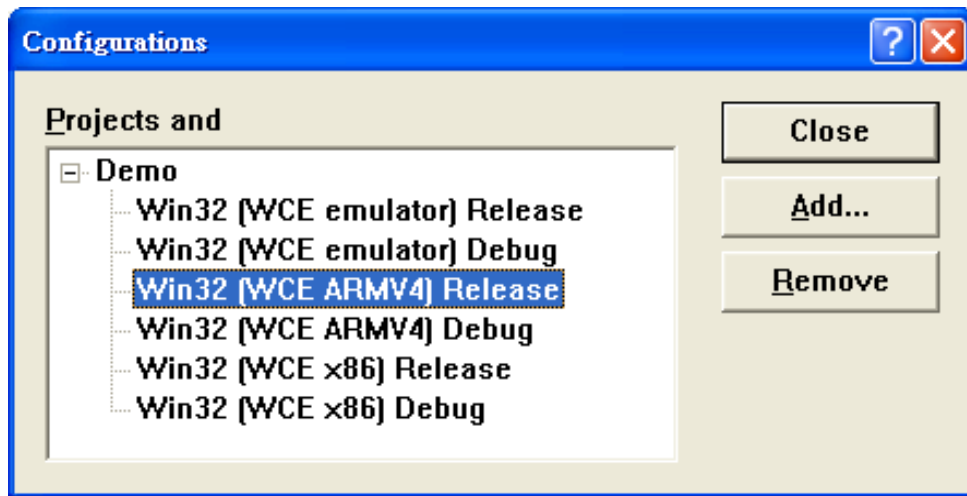
Step 2: On the “Build” menu, click “Configurations” command



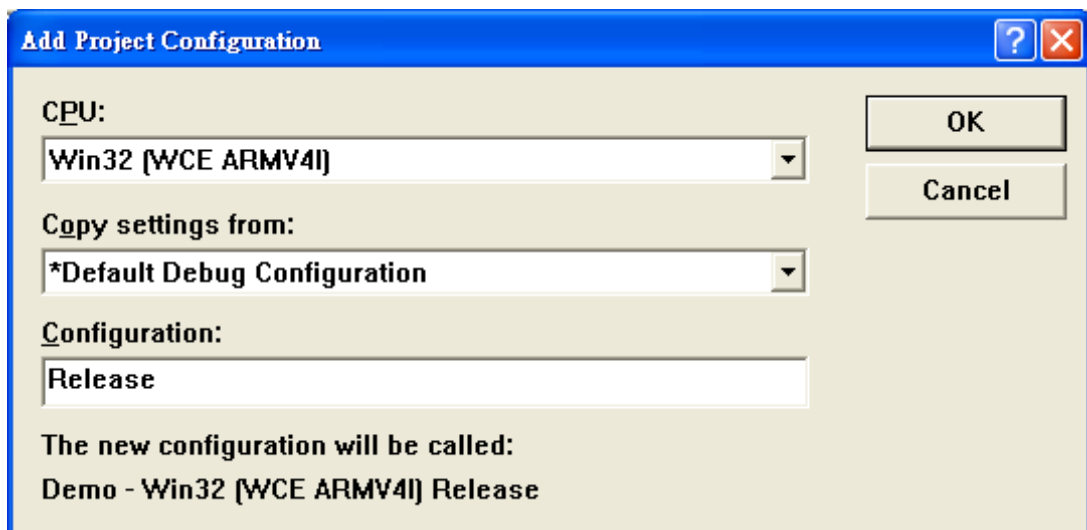
Step 3: Make sure the CPU type is “STANDARDSDK”



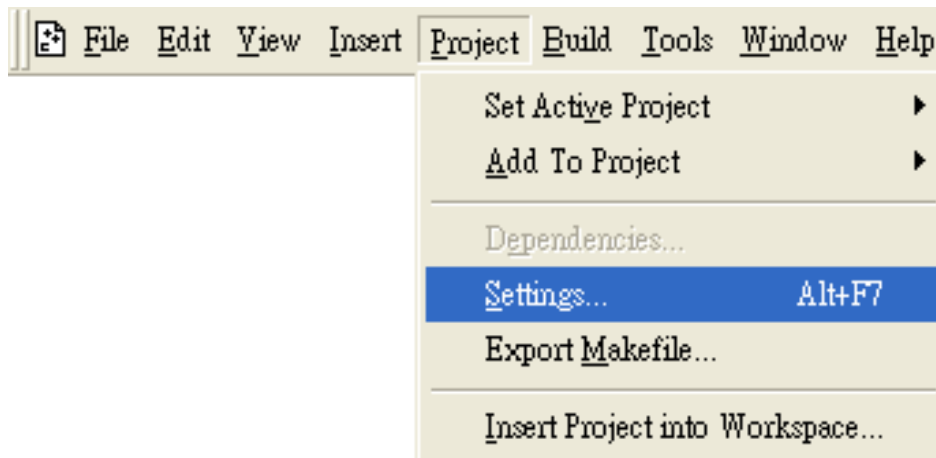
Step 4: On the “Configurations” dialog, click the “Add...” button



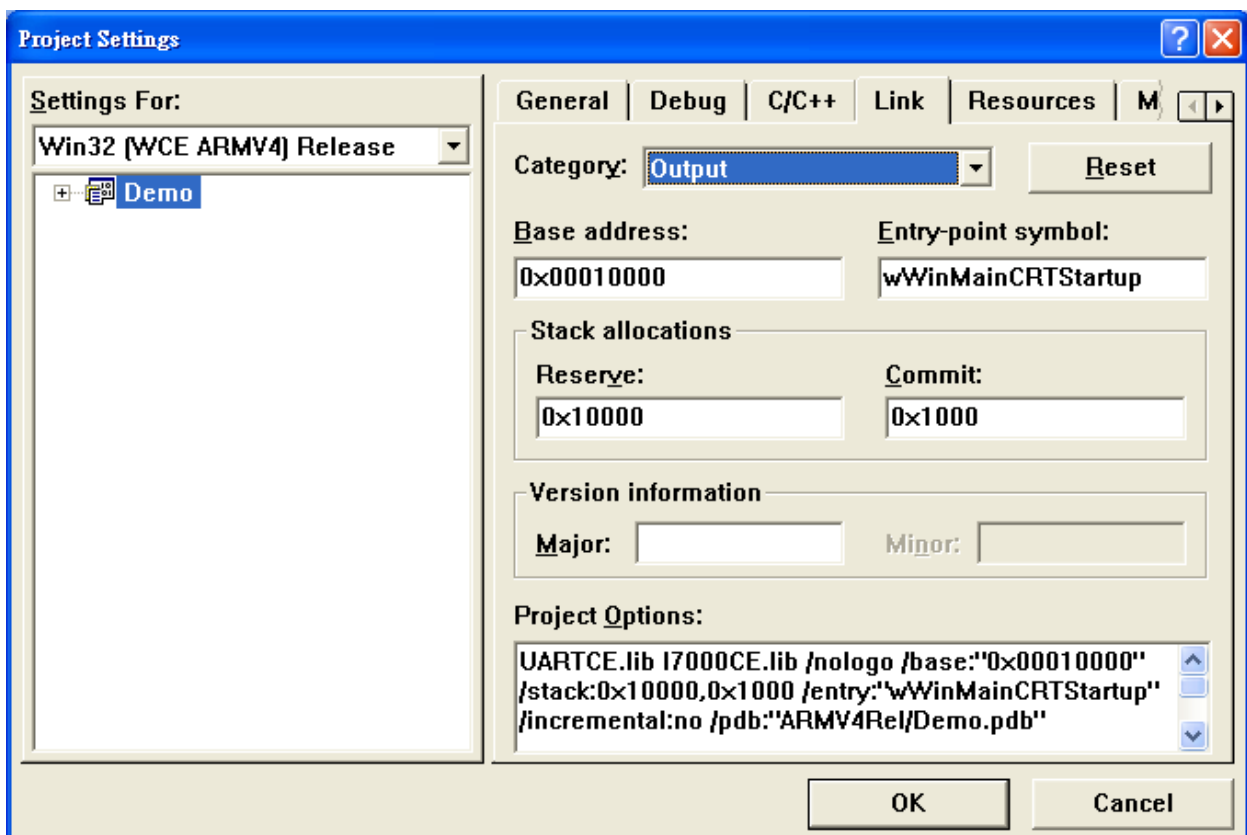
Step 5: On the “Add Project Configuration” dialog, choose one of the CPU type and then click the “OK” button.



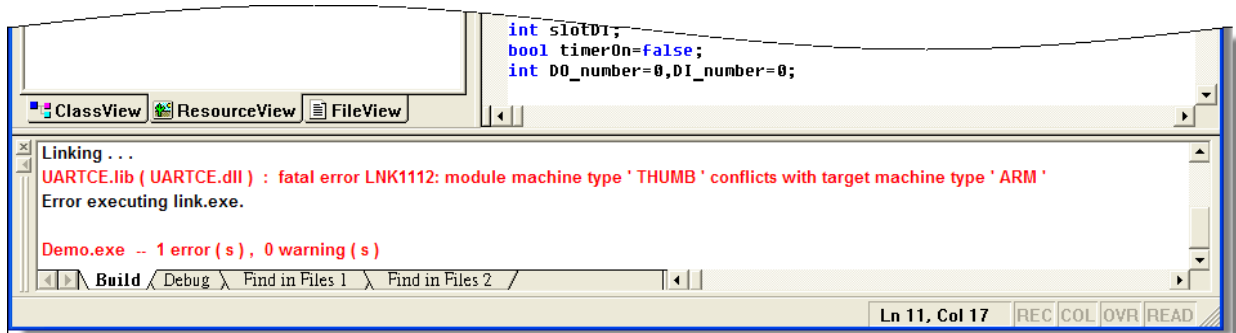
Step 6: On the “Project” menu, click “Settings...” command



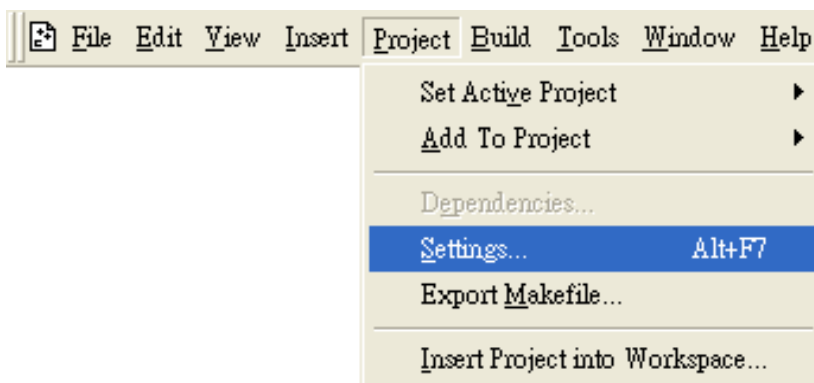
Step 7: On the “Project Settings” dialog, select the “Link” tab and change the value of the “Entry-point symbol” field, “WinMainCRTStarp” to “wWinMainCRTStartup”,



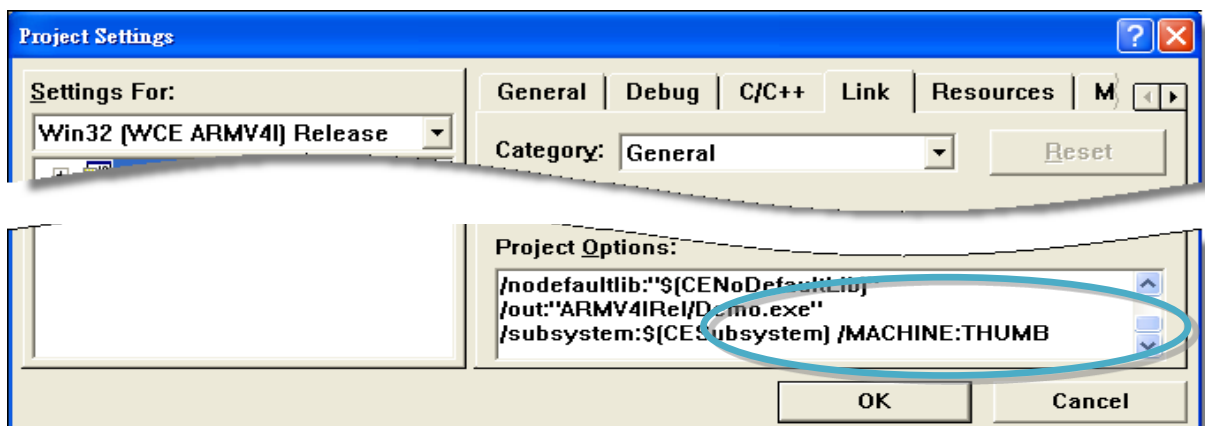
Step 8: After performing above-mentioned steps, build the project, your project should build success. If not, it will show error message as follow. Please continue with the following steps



Step 9: On the “Project” menu, click “Settings...” command



Step 10: On the “Project Settings” dialog, select the “Link” tab and change the value of the “Project Options” field, “ARM” to “THUMB”, and then built the project



E.3.2. Modify .vcp file to upgrade the old WinCon project

Step 1: Open a text editor to modify the .vcp file

Step 2: In the .vcp file, replace “0xa301” with “0xa501”

Step 3: In the .vcp file, replace “ARMV4” with “ARMV4I”

Step 4: In the .vcp file, replace “MACHINE:ARM” with “MACHINE:THUMB”

Step 5: Save the .vcp file just edited

Step 6: Open the old WinCon project and recompile it

E.4. How to use the printer

WinPAC have ability to access the printer, you can connect to the printer via Ethernet network or USB.

Tips & Warnings

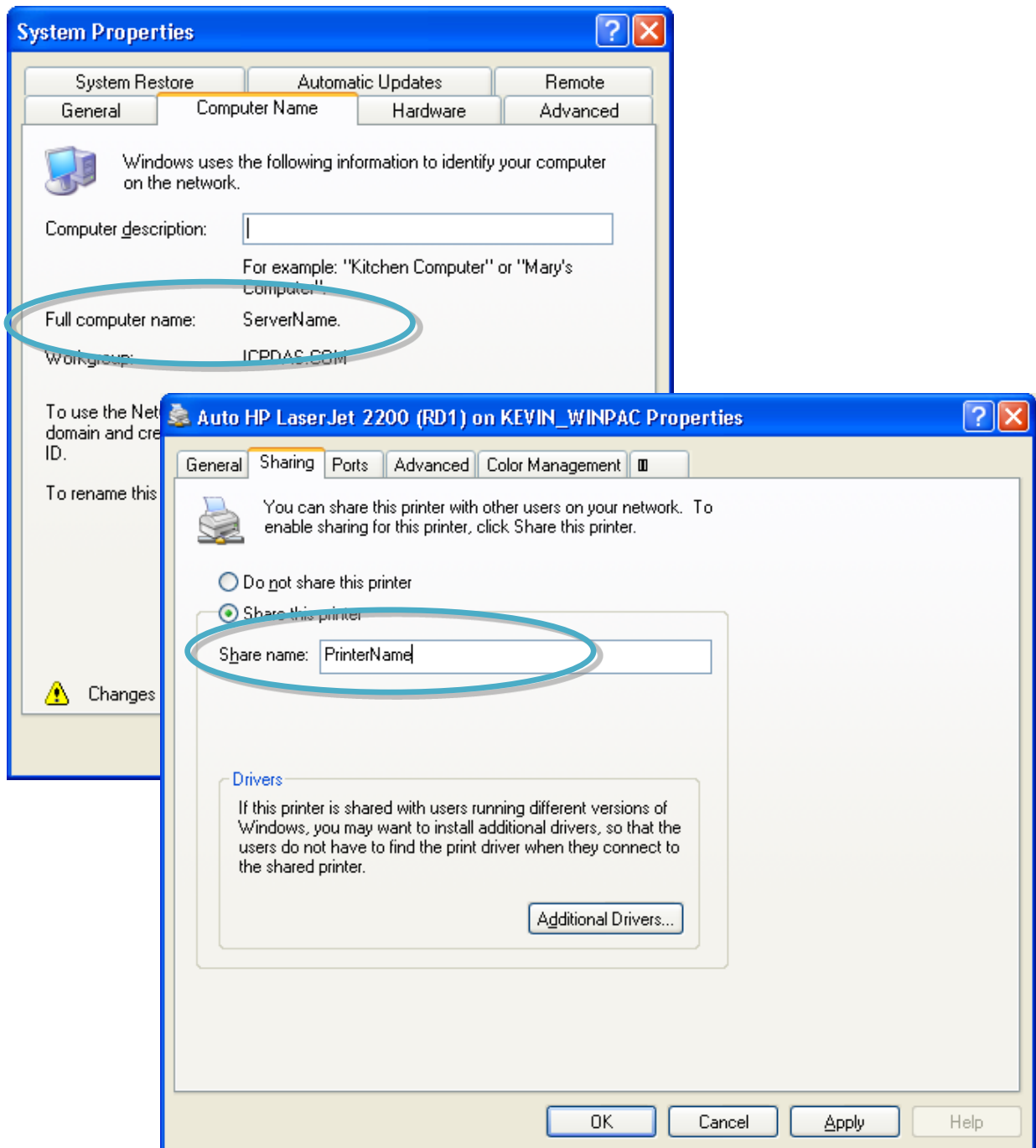


WinPAC only supports HP Laser Jet Printers which support PCL6 driver.

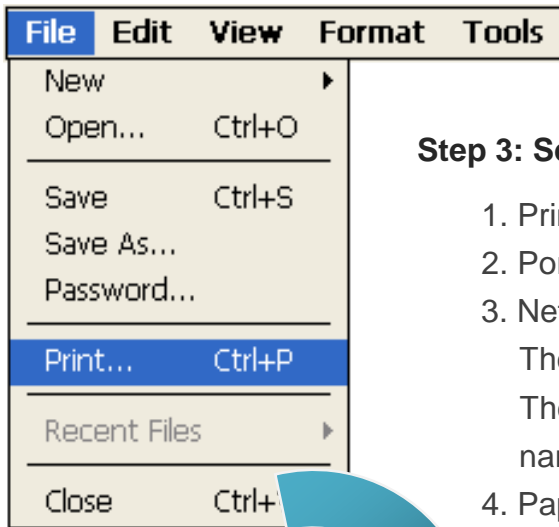
E.4.1. How to use network printer

To use a shared network printer, please perform the following steps:

Step 1: On the Host PC, check the name of the Host PC and the shared printer



Step 2: On the WinPAC, open a WordPad format file

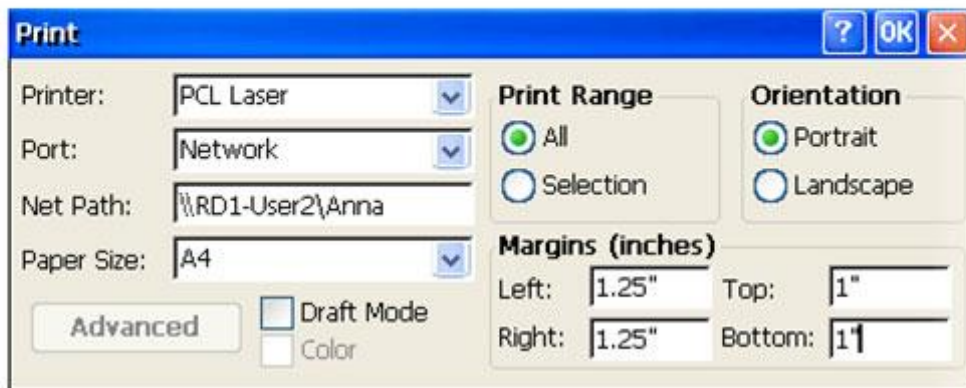


Step 3: Set up the printer

1. Printer: PCL Laser
2. Port: Network
3. Net Path: \\ServerName\PrinterName
The "ServerName" is your PC's name or IP.
The "PrinterName" is your printer's shared name of your PC
4. Paper Size: Select the paper size



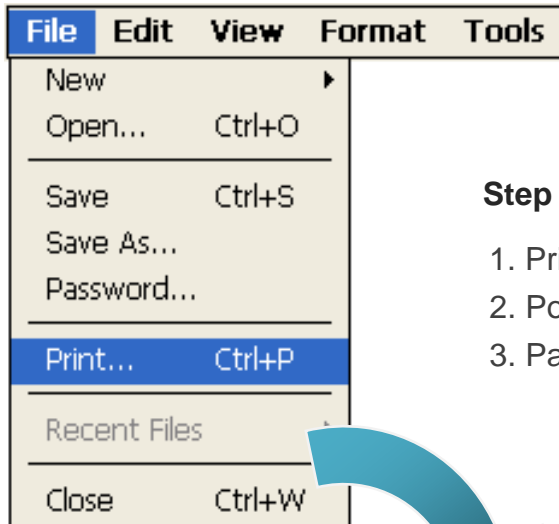
Test !!!



E.4.2. How to use printer via USB

To use a shared network printer via USB, please perform the following steps:

Step 1: On the WinPAC, open a WordPad format file

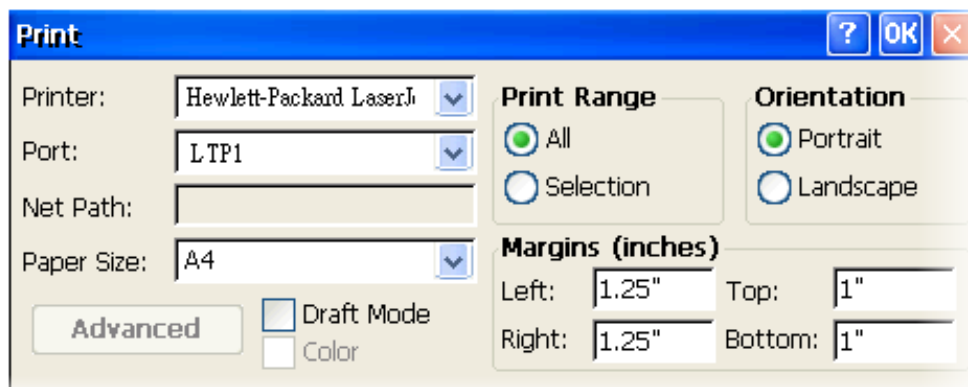


Step 2: Set up the printer

1. Printer: Hewlett-Packard LaserJet
2. Port: LPT1
3. Paper Size: Select the paper size



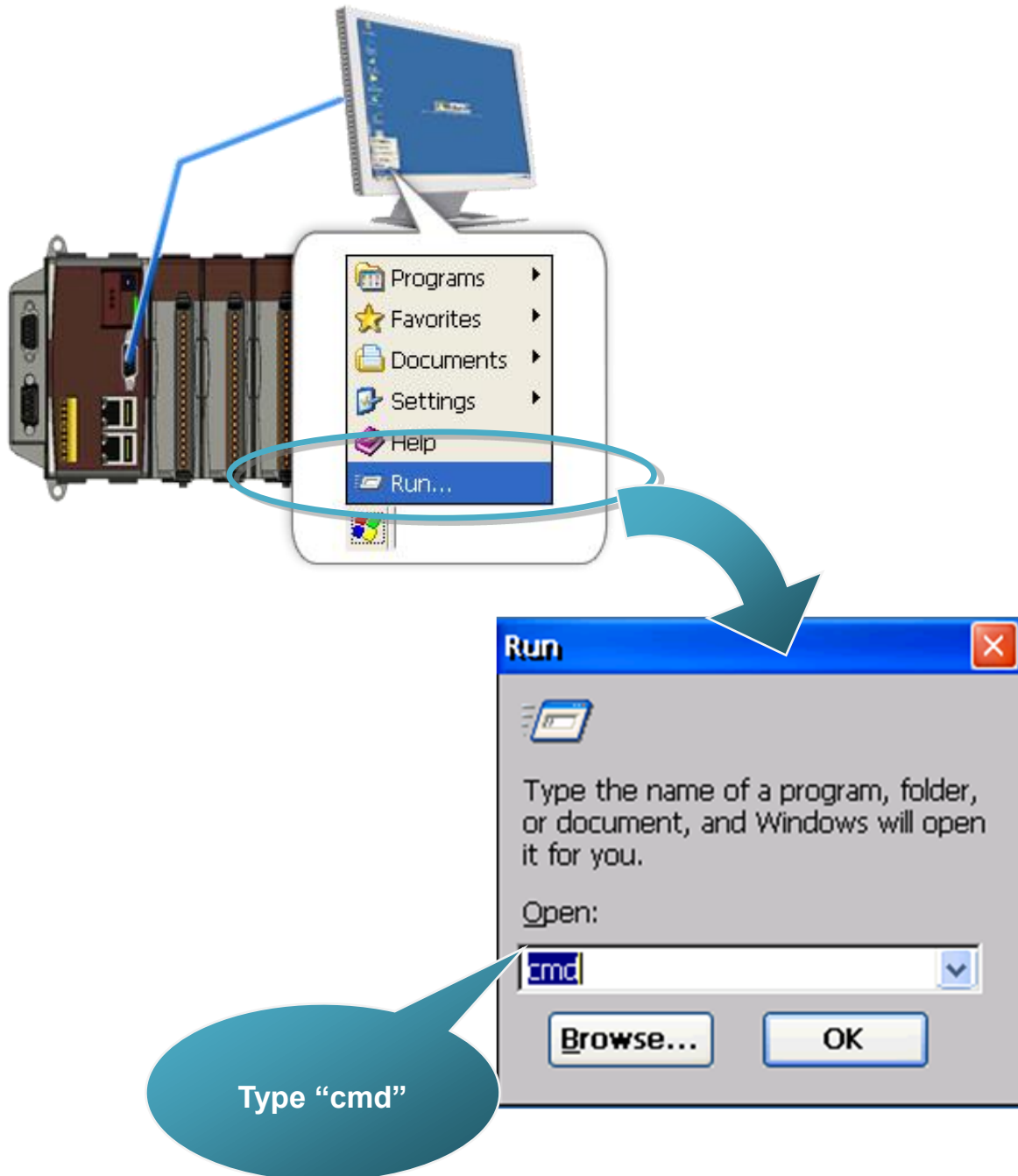
Test !!!



E.5. How to use services tool

The services tool can help you turn on, turn off and monitor the WinCE services.

Step 1: Open a MS-DOS command prompt



Step 2: List all services

[Syntax] services list

```
File Edit Help
Pocket CMD v 5.0
\> services list
NFYO: 0x00030110 NOTIFY.Dll Running
HTPO: 0x00031570 HTTPD.DLL Running
CRDO: 0x00032070 credsvc.dll Running
MMQ1: 0x00036790 MSMQD.Dll Off
OBX0: 0x00036b20 OBEXSrVr.dll Off
FTPO: 0x00037770 FTPD.Dll Running
TELO: 0x00037ac0 TELNETD.Dll Running
SMB0: 0x0003c3e0 smbserver.dll Running
NTPO: 0x0003ffff timesvc.dll Running
\>
```

Step 3: Type the commands to configure service

[Syntax] services stop <services name>

For example, turn on the “FTP” service:

services stop FTP0:

```
File Edit Help
Pocket CMD v 5.0
\> services stop FTP0:
\> services list
NFYO: 0x00030110 NOTIFY.Dll Running
HTPO: 0x00031570 HTTPD.DLL Running
CRDO: 0x00032070 credsvc.dll Running
MMQ1: 0x00036790 MSMQD.Dll Off
OBX0: 0x00036b20 OBEXSrVr.dll Off
FTPO: 0x00037770 FTPD.Dll Off
TELO: 0x00037ac0 TELNETD.Dll Running
SMB0: 0x0003c3e0 smbserver.dll Running
NTPO: 0x0003ffff timesvc.dll Running
\>
```

Tips & Warnings



For more information about using services tool, you just type
“services help”

```
File Edit Help
Pocket CMD v 5.0
\> services help
Commands:
    help - print this text
    list - lists loaded services
    load <service name> - activates a service that is inactive
    stop <service instance> stops/pauses a service (does not unload)
    start <service instance> - starts/resumes a service
    refresh <service instance> - causes service to refresh its config
    unload <service instance> - causes service to be unloaded and
    register <service name> - service will be automatically loaded
reboot
    unregister <service name> - service will not be automatically
next reboot
    command <service name> [arg1 arg2 ...] - send service-specific
o service
    help <service name> - get information on what service-specific
are supported

    <service name> - service's name in the registry (i.e. HTTPD)
    <service instance> - particular instantiation (i.e. HTTPD:)

Flags:
    -f <file name>
    -s silent
    -d output to debugger
\>
```

Appendix F. Revision History

Revision	Date	Description
1.0	July 2008	Initial issue
1.1	August 2008	Added more information about WinPAC Utility functions in section 3.5.
1.2	August 2008	<ol style="list-style-type: none">1. Added additional information on how to establish a new telnet and FTP in Appendix E.2. Added additional information on how to use services tool in Appendix E.
1.3	August 2008	<ol style="list-style-type: none">1. Added additional information on how to use network printer in Appendix E.2. Added additional information on how to use printer via USB in Appendix E.
1.4	September 2008	<ol style="list-style-type: none">1. Added additional information on how to automatically update the WinPAC-8000 SDK in Appendix E.2. Added additional information on how to manually update the WinPAC-8000 SDK in Appendix E.3. Added additional information on how to update the WinPAC-8000 OS image from file
1.5	September 2008	Deleted WP-8041 information
1.6.0	July 2009	<ol style="list-style-type: none">1. Changed the name of the version of this manual.2. Moved the OS and SDK updates from the Appendix E to the Chapter 6.3. Added information about the multilingual interface changes in section 2.6.4. Added information about installing the touch panel driver in section 2.7.5. Added information about the Multi-serial port wizard function of the WinPAC Utility in section 3.56. Added additional information about the revision history in Appendix F.
1.7.0	September 2009	<ol style="list-style-type: none">1. Added a section about the module selection in 1.2.2. Added information about the support of the printer

		driver in Appendix E.4
1.8.0	October 2009	<ol style="list-style-type: none"> 1. Modified the specification of the flash disk in section 1.1 and 1.2. 2. Deleted auto mdi/mdix or auto mdix to Ethernet port specification 3. Added additional information about the support of the Micro SD socket in section 1.2. 4. Modified the printer configuration in Appendix E.4
1.9.0	October 2009	<ol style="list-style-type: none"> 1. Added information about two new OS mode (DCON_CE and VCEP mode) in section 2.3. 2. Replaced Quicker with NAPOPC_CE5
2.0.0	November 2009	Added information about WP-8x3x series modules
2.0.1	December 2009	<ol style="list-style-type: none"> 1. Modified the WinPAC installation in section 2.1. 2. Added information about the requirements of the WinPAC SDK in section 4.3.
2.0.2	April 2010	<ol style="list-style-type: none"> 1. Modified the specification of Dual Battery Backup SRAM feature in section 1.1. 2. Added information about I/O Expansion Slots in section 1.2. 3. Modified information about Operating Environment in section 1.2.
2.0.3.	July 2010	<ol style="list-style-type: none"> 1. Modified information about the companion CD in section 1.5. 2. Modified information about using Backup_Utility to back up the settings and files in section 2.8. 3. Added information about WinPAC tools in chapter 3.
2.0.4.	November 2010	<ol style="list-style-type: none"> 1. Added information about a caution about using System_Disk in section 2.9. 2. Added information about the FTP setting function of the WinPAC Utility in section 3.5.2 and E.1.
2.0.5.	February 2011	<ol style="list-style-type: none"> 1. Modified information about the WinPAC overview in section 1.4. 2. Added information about the specification of COM ports in section 1.4.