



iPPC-x701-WES7 Quick Start

Version 1.0 November 2015

Supported Models

- iPPC-4701-WES7
- iPPC-5701-WES7
- iPPC-6701-WES7
- iPPC-7701-WES7

Technical Support

iPPC User Manual:

CD:\ippc-wes7\Document\User_Manual\

ftp://ftp.icpdas.com/pub/cd/ippc-wes7/document/user_manual/

What's in the box?

The package includes the following items:



iPPC



8G CF card



Software Utility CD



Screw Driver



Panel clip * 4



M4 x 30L Screw * 4

1 Setting up the iPPC

- 1) Be sure that the rotary switch is placed in the 0 position
- 2) Connect the positive terminal (+) of the power supply to the terminal PWR and the negative terminal (-) of the power supply to the P.GND.

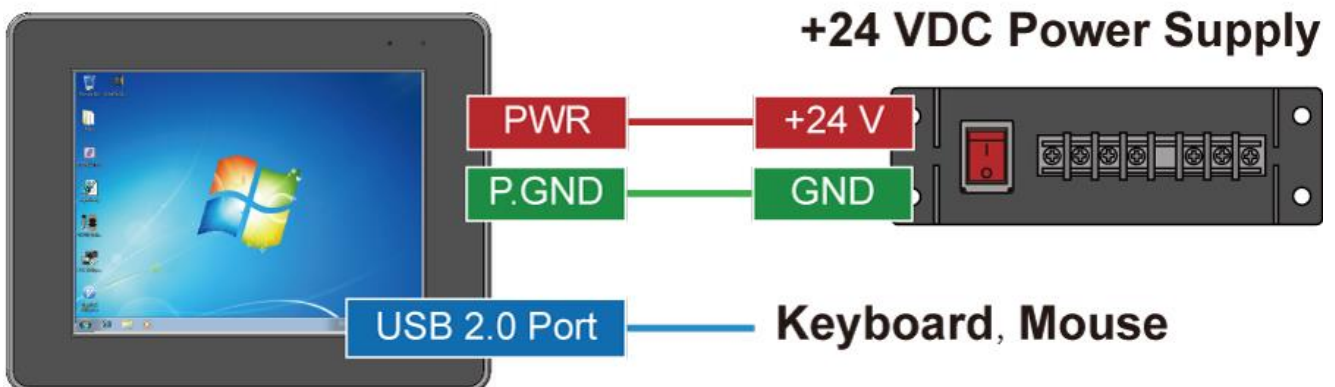


The input range of power supply is +10 ~ +30 V_{DC}.

- 3) Connect the USB mouse or USB keyboard to the USB port.



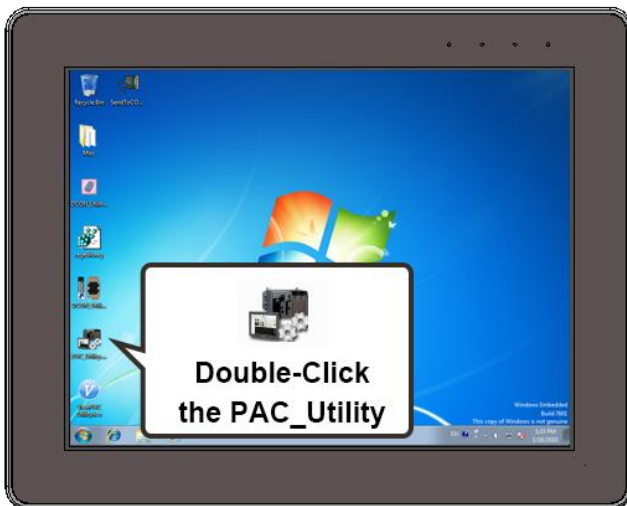
The rotary switch must be placed in the “0” position



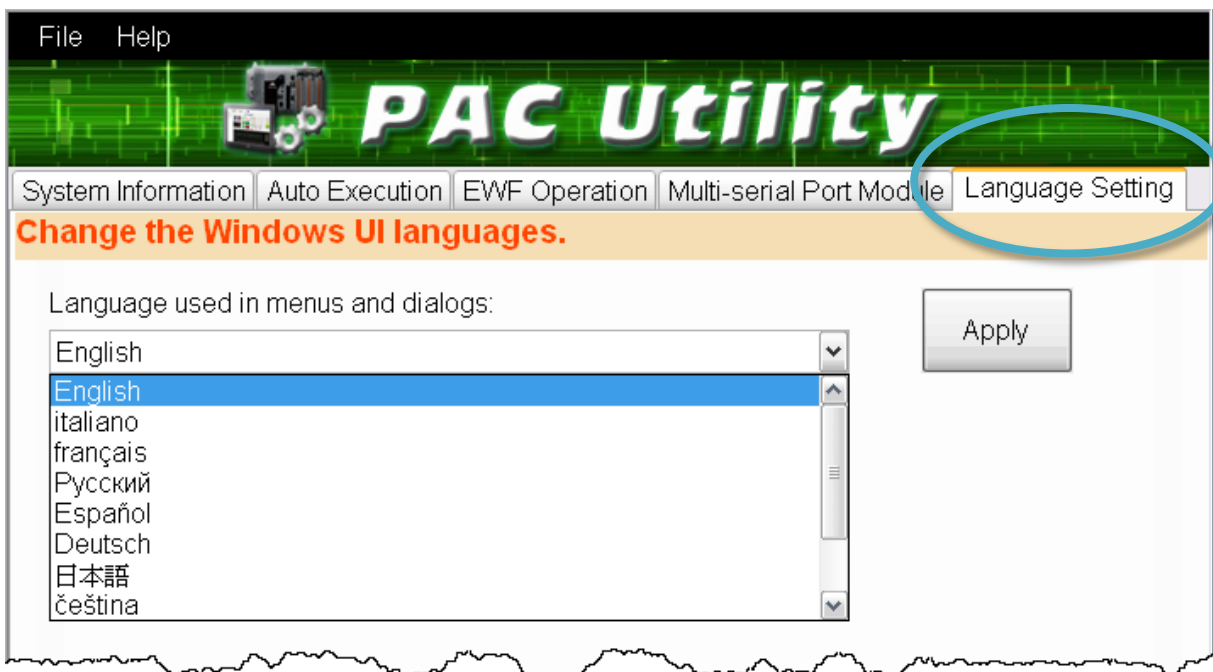
2 Changing the User Interface Language

PAC Utility allows users to easily change the iPPC user interface with your native language.

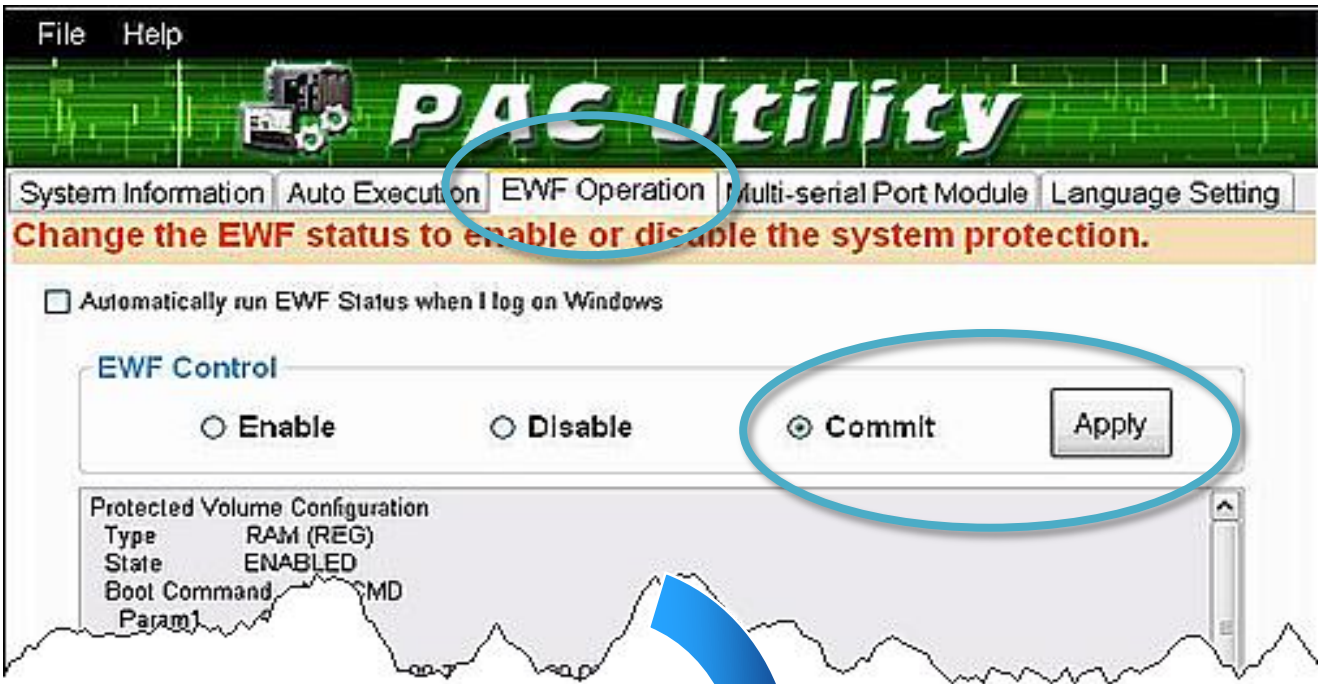
1) Run the PAC Utility



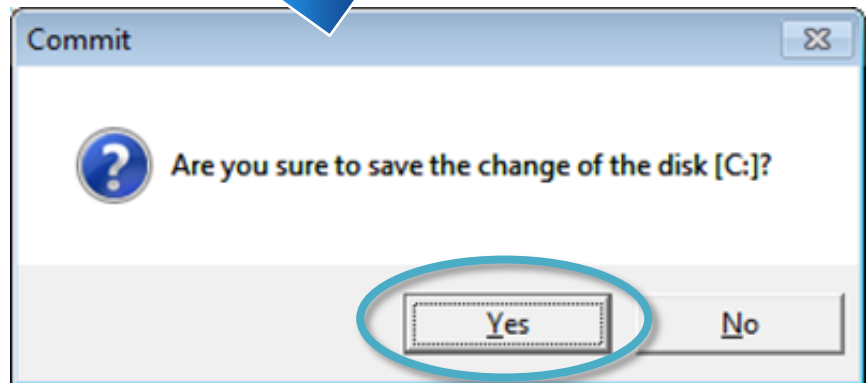
2) Click the Language Setting tab, choose your preferred language that you want to use for iPPC menus and dialogs, and then click Apply button.



- 3) Click the EWF Operation tab, select the Commit option, and then click Apply button.



- 4) Click Yes button to save changes to the disk.



- 5) Restart the iPPC for changes to take effect.

