



# Quick Start Guide for VXC-114U/144U/144iU Series

Written by Tammy Chuang

Version 1.025

December 2007

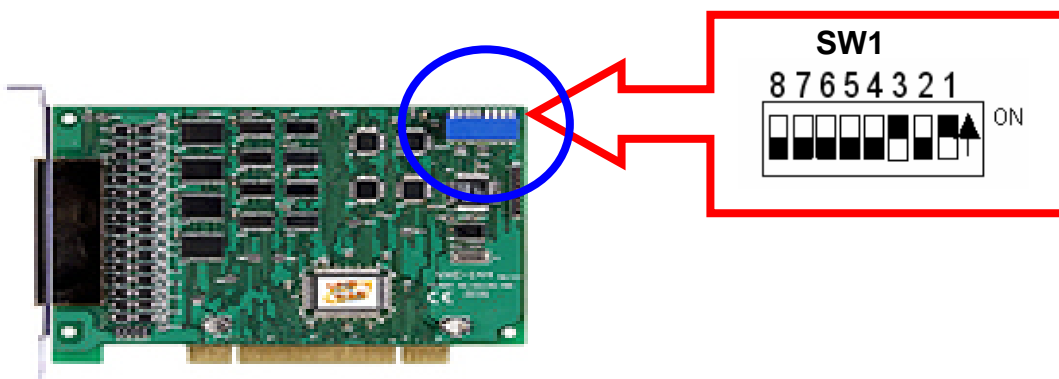
## 1 What's on your package?

1. One VXC series card
2. One ICP DAS software CD
3. One Quick Start Guide (this document)

## 2 COM Port Mapping

Please set SW1 dip-switch (COM Selector) to 0x05 (1 and 3 "ON", others "OFF").

This forces the VXC card to use COM5, COM6, COM7 and COM8.



## SW1 setting table

SW1 DIP Switch	8	7	6	5	4	3	2	1
Board ID= <b>0x00</b> (Default) COM = Auto-defined	OFF	OFF	OFF	OFF	OFF	OFF	OFF	OFF
Board ID= <b>0x03</b> COM = 3/4/5/6	OFF	OFF	OFF	OFF	OFF	OFF	ON	ON
Board ID= <b>0x05</b> COM = 5/6/7/8	OFF	OFF	OFF	OFF	OFF	ON	OFF	ON
Board ID= <b>0x07</b> COM = 7/8/9/10	OFF	OFF	OFF	OFF	OFF	ON	ON	ON
Board ID= <b>0x09</b> COM = 9/10/11/12	OFF	OFF	OFF	OFF	ON	OFF	OFF	ON
Board ID= <b>0x14</b> COM = 20/21/22/23	OFF	OFF	OFF	ON	OFF	ON	OFF	OFF
Board ID= <b>0x1E</b> COM = 30/31/32/33	OFF	OFF	OFF	ON	ON	ON	ON	OFF
Board ID= <b>0x28</b> COM = 40/41/42/43	OFF	OFF	ON	OFF	ON	OFF	OFF	OFF
Board ID= <b>0x32</b> COM = 50/51/52/53	OFF	OFF	ON	ON	OFF	OFF	ON	OFF
Board ID= <b>0x3C</b> COM = 60/61/62/63	OFF	OFF	ON	ON	ON	ON	OFF	OFF
Board ID= <b>0x64</b> COM = 100/101/102/103	OFF	ON	ON	OFF	OFF	ON	OFF	OFF
Board ID= <b>0x96</b> COM = 150/151/152/153	ON	OFF	OFF	ON	OFF	ON	ON	OFF
Board ID= <b>0xC8</b> COM = 200/201/202/203	ON	ON	OFF	OFF	ON	OFF	OFF	OFF
.								
.								
.								
Board ID= <b>0xFF</b> COM = 255/256/x/x	ON	ON	ON	ON	ON	ON	ON	ON

# 3 Installing Windows Driver

1. Launch the Windows NT/2K/XP/2003/Vista32 driver.  
You can get the driver from:  
CD:\Napdos\multiport\windows\  
<http://ftp.icpdas.com/pub/cd/iocard/pci/napdos/multiport/windows/>
2. Click “**N**ext>” button to start installation.
3. Click “**N**ext>” button to install driver into the default folder.
4. Check “**C**reate a **d**esktop icon” and click “**N**ext>” button.
5. Select “**N**o, I will restart the computer later” and click “**F**inish” button.

**For installing driver on other systems, please refer to:**

CD:\Napdos/multiport/manual/vxc\_114u\_144u\_144iu\_manual.pdf  
[http://ftp.icpdas.com/pub/cd/iocard/pci/napdos/multiport/manual/vxc\\_114u\\_144u\\_144iu\\_manual.pdf](http://ftp.icpdas.com/pub/cd/iocard/pci/napdos/multiport/manual/vxc_114u_144u_144iu_manual.pdf)

# 4 Installing Your Hardware

1. Shut down your computer
2. Remove all covers from the computer
3. Select an unused PCI slot
4. Carefully insert your VXC card into the PCI slot
5. Replace the PC cover
6. Power on the computer

After powering-on the computer and the Plug & Play steps finished, make sure the COM installed is correct as follows:

1. Select “ **Start/Settings/Control Panel** “ and double click the “**system**” icon.
2. Click the “**Hardware**” tab and then click the “**Device Manager**” button.
3. Check if the COM ports of VXC card are listed correctly.



# 5 Pin Assignment

## VXC-114U Pin Assignment and Wiring

Pin Assignment Name	Terminal No.		Pin Assignment Name
N.C.	01	20	RI3
DCD3	02	21	DTR3
GND	03	22	DSR3
CTS3	04	23	RTS3
RxD3	05	24	TxD3
RI4	06	25	DCD4
DTR4	07	26	GND
DSR4	08	27	CTS4
RTS4	09	28	RxD4
TxD4	10	29	RI2
DCD2	11	30	DTR2
GND	12	31	DSR2
CTS2	13	32	RTS2
RxD2	14	33	TxD2
RI1	15	34	DCD1
DTR1	16	35	GND
DSR1	17	36	CTS1
RTS1	18	37	RxD1
TxD1	19		

RS-232 Null Modem Cable Wiring

System 1		System 2
TX	→	RX
RX	←	TX
RTS	→	DCD
CTS		
GND	↔	GND
DSR	←	DTR
DCD	←	RTS
		CTS
DTR	→	DSR

## VXC-144U/144iU Pin Assignment and Wiring

Pin Assignment	Terminal No.		Pin Assignment
IN.C.	01	20	CTS3-(A)
TxD3-(A)/Data3-(A)	02	21	RxD3-(A)
GND/VEE3	03	22	RTS3-(A)
CTS3+(B)	04	23	RTS3+(B)
TxD3+(B)/Data3+(B)	05	24	RxD3+(B)
CTS4-(A)	06	25	TxD4-(A)/Data4-(A)
RxD4-(A)	07	26	GND/VEE4
RTS4-(A)	08	27	CTS4+(B)
RTS+4(B)	09	28	TxD4+(B)/Data4+(B)
RxD4+(B)	10	29	CTS2-(A)
TxD2-(A)/Data2-(A)	11	30	RxD2-(A)
GND/VEE2	12	31	RTS2-(A)
CTS2+(B)	13	32	RTS2+(B)
TxD2+(B)/Data2-(B)	14	33	RxD2+(B)
CTS1-(A)	15	34	TxD1-(A)/Data1-(A)
RxD1-(A)	16	35	GND/VEE1
RTS1-(A)	17	36	CTS1+(B)
RTS1+(B)	18	37	TxD1+(B)/Data1+(B)
RxD1+(B)	19		

### RS-485 Cable Wiring

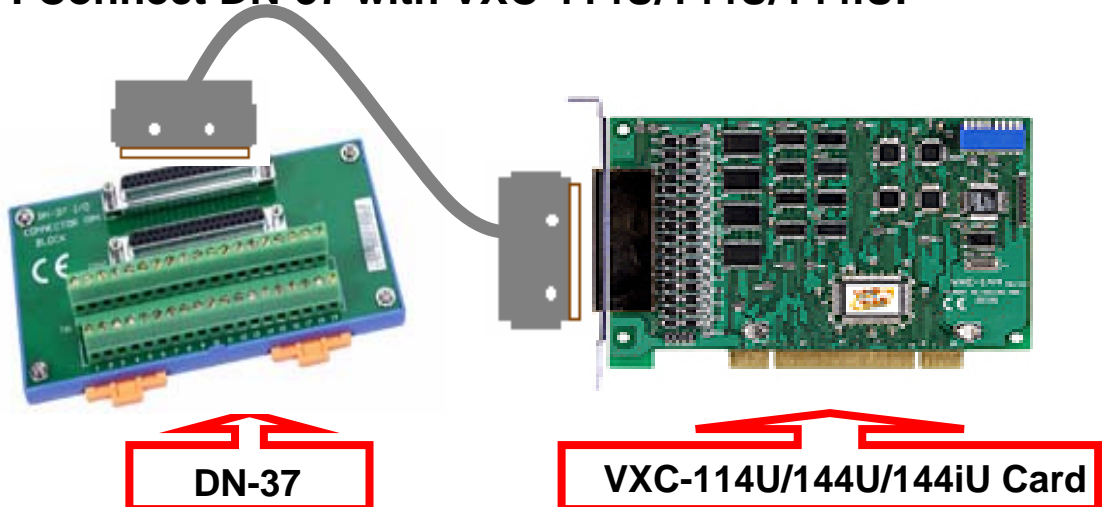
System 1		System 2
DATA - (A)	↔	DATA - (A)
DATA + (B)	↔	DATA + (B)

### RS-422 Cable Wiring

System 1		System 2
TxD-	→	RxD-
TxD+	→	RxD+
RxD+	←	TxD+
RxD-	←	TxD-
GND	↔	GND
RTS-	→	CTS-
RTS+	→	CTS+
CTS+	←	RTS+
CTS-	←	RTS-

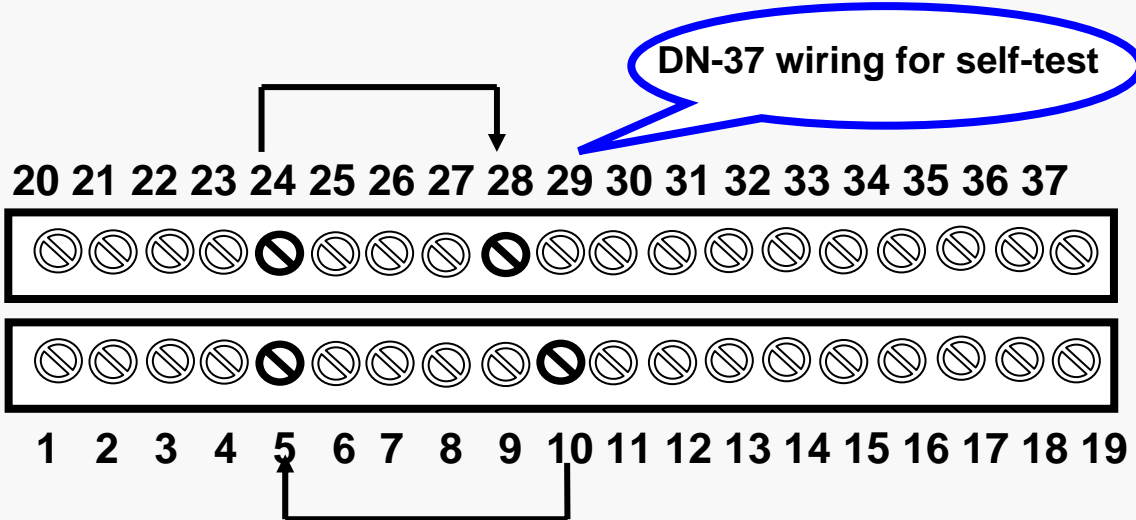
# 6 Self-Test

1 : Connect DN-37 with VXC-114U/144U/144iU.



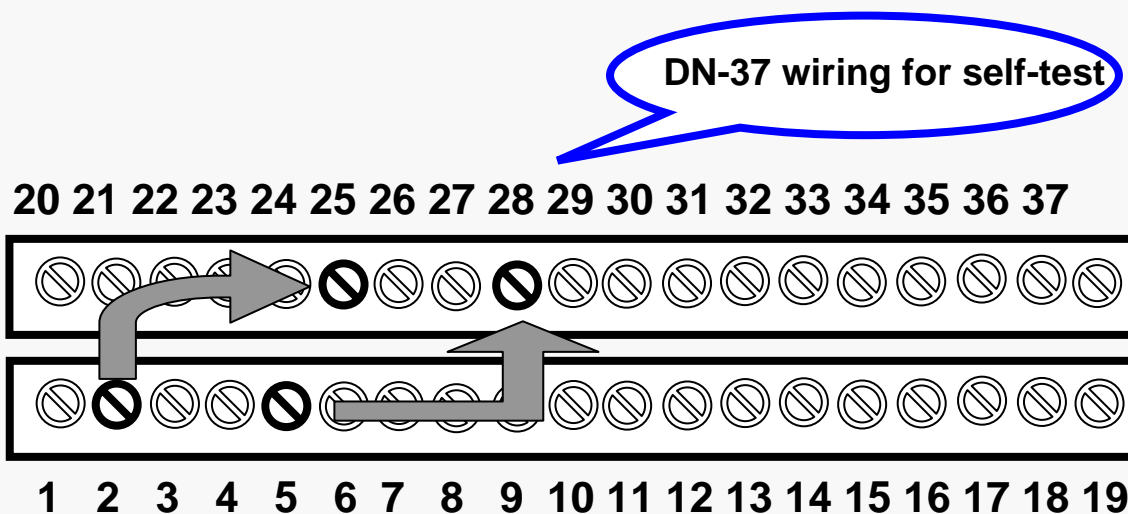
## 2 : Wire Port3 and Port4 for VXC-114U (RS-232).

Pin Assignment Name	Pin NO.		Pin NO.	Pin Assignment Name
TxD3	24	↔	28	RxD4
RxD3	05	↔	10	TxD4



## Wire Port3 and Port4 for VXC-144U/144iU (RS-485).

Pin Assignment Name	Pin NO.		Pin NO.	Pin Assignment Name
TxD3-(A)/Data3-(A)	02	↔	25	TxD4-(A)/Data4-(A)
TxD3+(B)/Data3+(B)	05	↔	28	TxD4+(B)/Data4+(B)



### 3 : Execute the Test2COM.exe program.

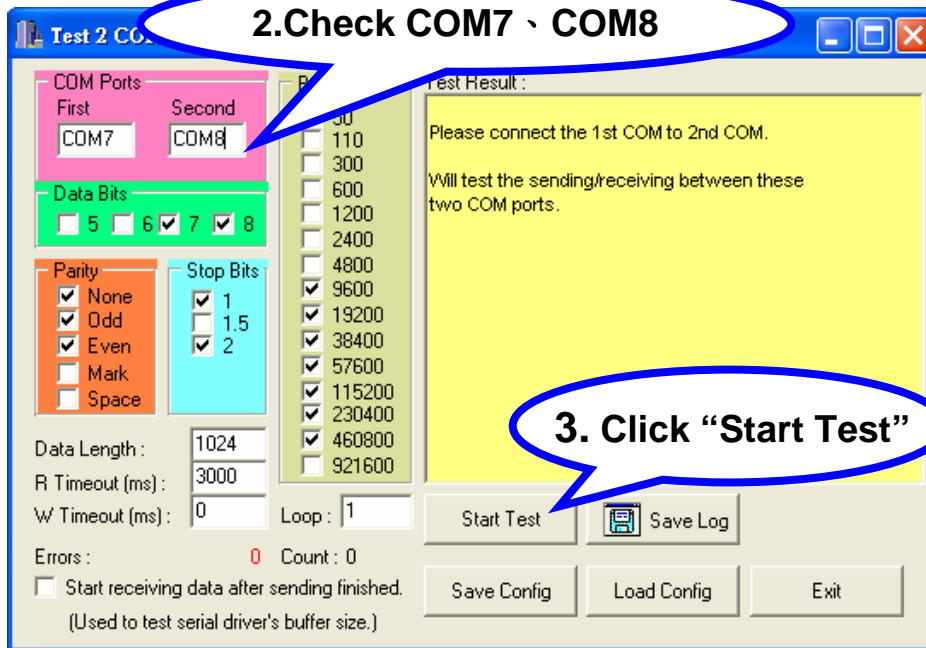
Get the file from:

CD:\Napdos\multiport\utility\

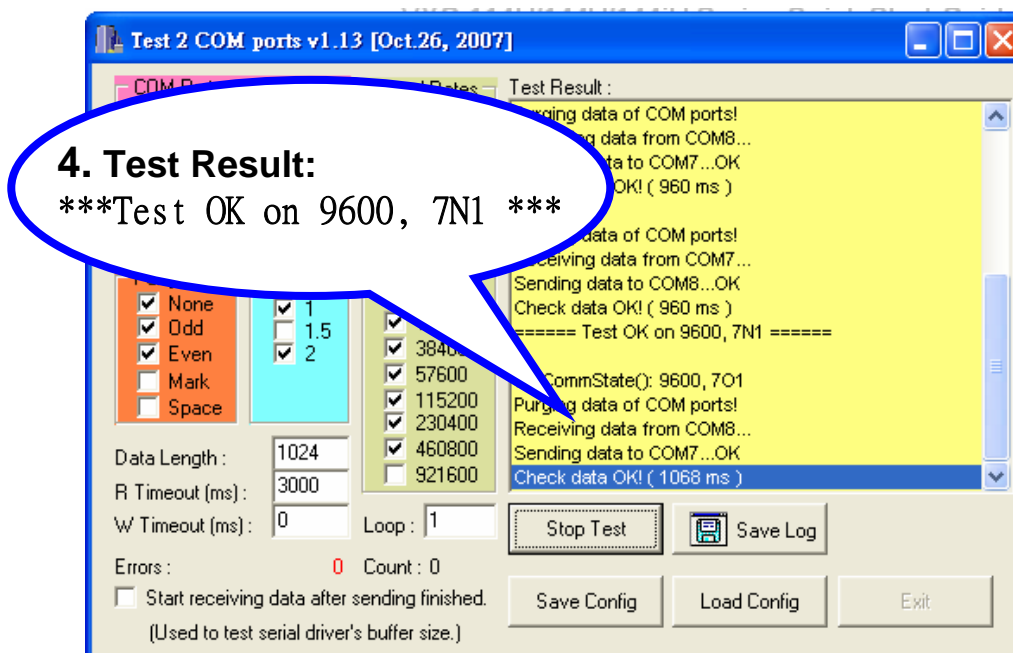
<http://ftp.icpdas.com/pub/cd/iocard/pci/napdos/multiport/utility/>



1. Double-click Test2COM.exe



### 4 : Test success.



# Additional Information

## VXC Card Product Page:

[http://www.icpdas.com/products/Industrial/multi\\_serial/vxc-144.htm](http://www.icpdas.com/products/Industrial/multi_serial/vxc-144.htm)

## Document :

CD:\Napdos\multiport\manual\

<http://ftp.icpdas.com/pub/cd/iocard/pci/napdos/multiport/manual/>

## Software :

CD:\Napdos\multiport\

<http://ftp.icpdas.com/pub/cd/iocard/pci/napdos/multiport/>

## DN-37 Product Page:

[http://www.icpdas.com/products/DAQ/screw\\_terminal/dn\\_37.htm](http://www.icpdas.com/products/DAQ/screw_terminal/dn_37.htm)

## The ICP DAS Web Site

<http://www.icpdas.com>

- Technical support
- Supplies and ordering information
- Ways to enhance your device
- FAQ
- Application story



## Contact Us

[Service@icpdas.com](mailto:Service@icpdas.com)

Copyright @ 2007 by ICP DAS Co., Ltd. All rights are reserved