
DL-300 Series Quick Start

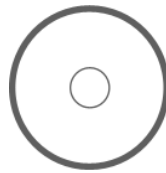
For DL-301/DL-302/DL-303

Aug. 2015
Version 1.2.1

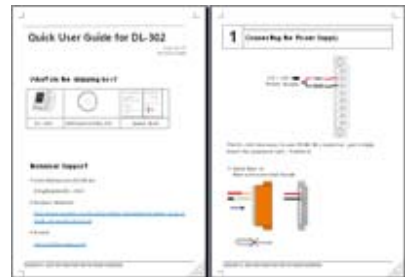
What's in the shipping box?



DL-300 Logger



Software Utility CD



Quick Start

Technical Support

- User Manual and Utilities

CD:\Napdos\DL-300\

- Product Website

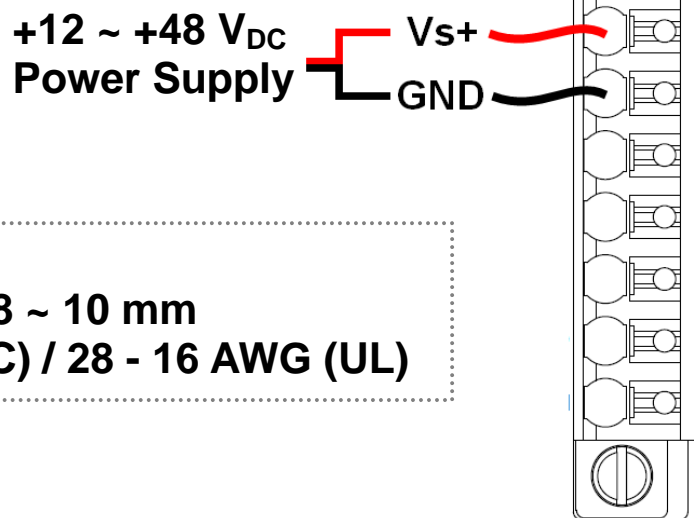
http://www.icpdas.com/root/product/solutions/remote_io/rs-485/dl_series/dl-300.html

- E-mail

service@icpdas.com

1 Connecting the Power Supply

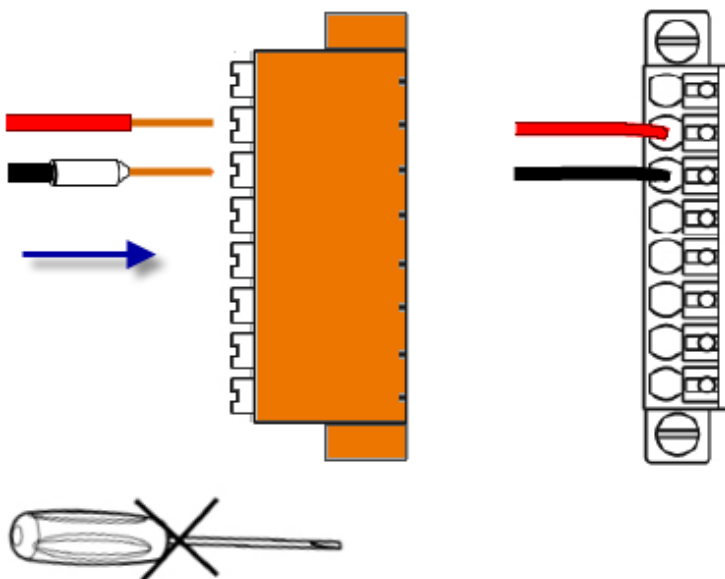
The DL-300 logger can be powered by either a PoE switch or a +12 ~ +48 V power supply as below:



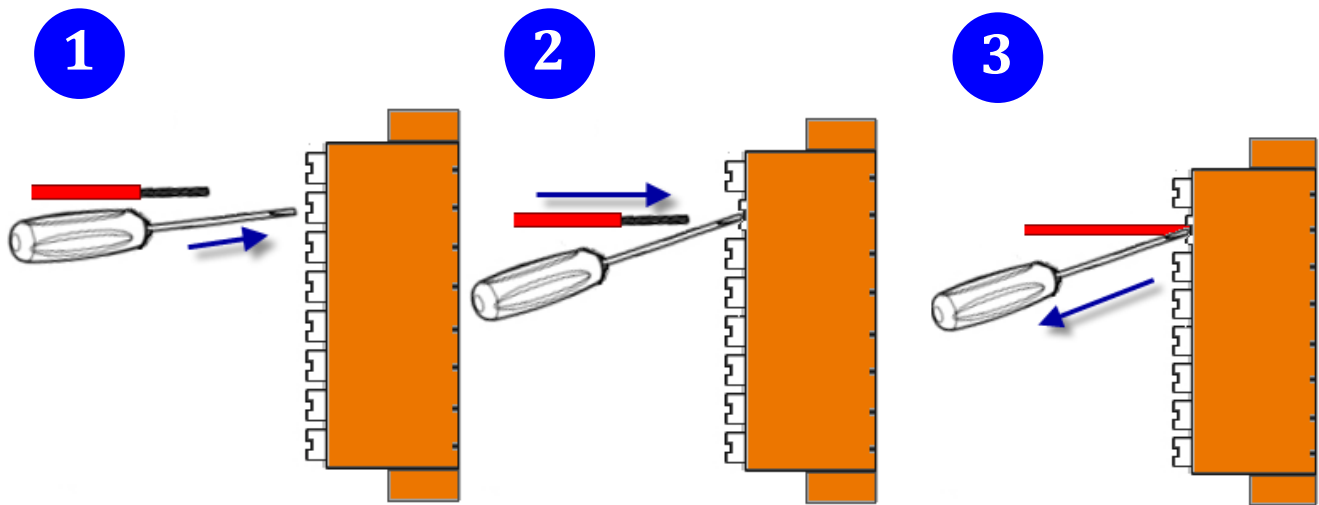
Wire requirement:

- Stripping length: 8 ~ 10 mm
- 0.20 - 1.5 mm² (IEC) / 28 - 16 AWG (UL)

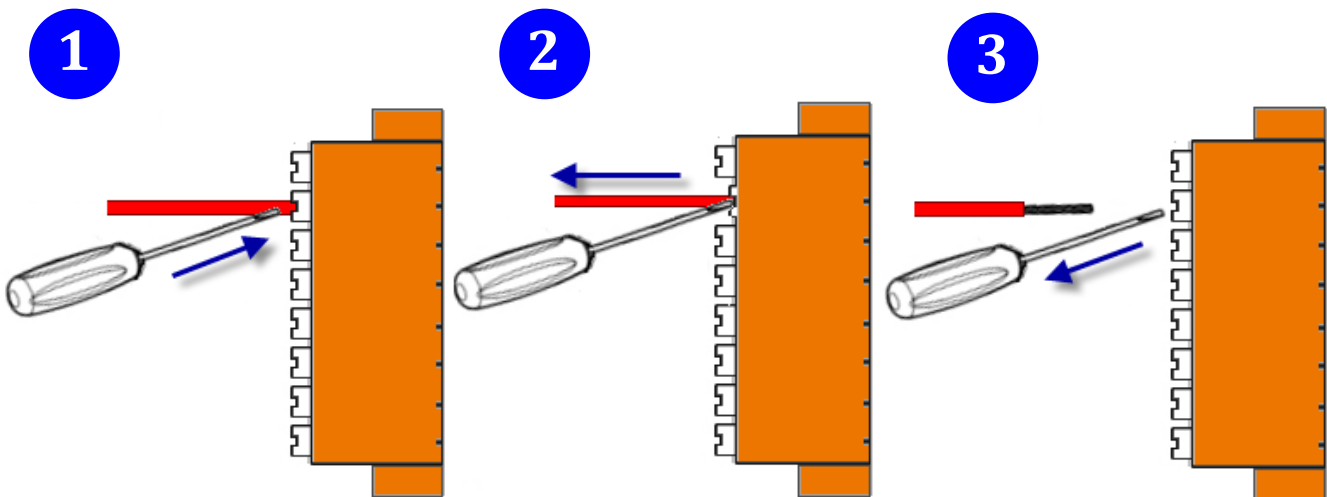
➤ Push In (Solid Wire or Wire with wire-end ferrule)



➤ Flexible Wire



➤ Push and Release



2

Powering-on the DL-300 logger

