



WP-9000-CE7

Highlight Information

- Windows CE 7.0
- Cortex-A8 (1.0 GHz)
- Hard Real-Time Capability
- 64-bit Hardware Serial Number
- Rich I/O Expansion Ability (RS-232/RS-485, FRnet,CAN)
- Redundant Power Input
- Operating Temperature: -25 ~ +75 °C

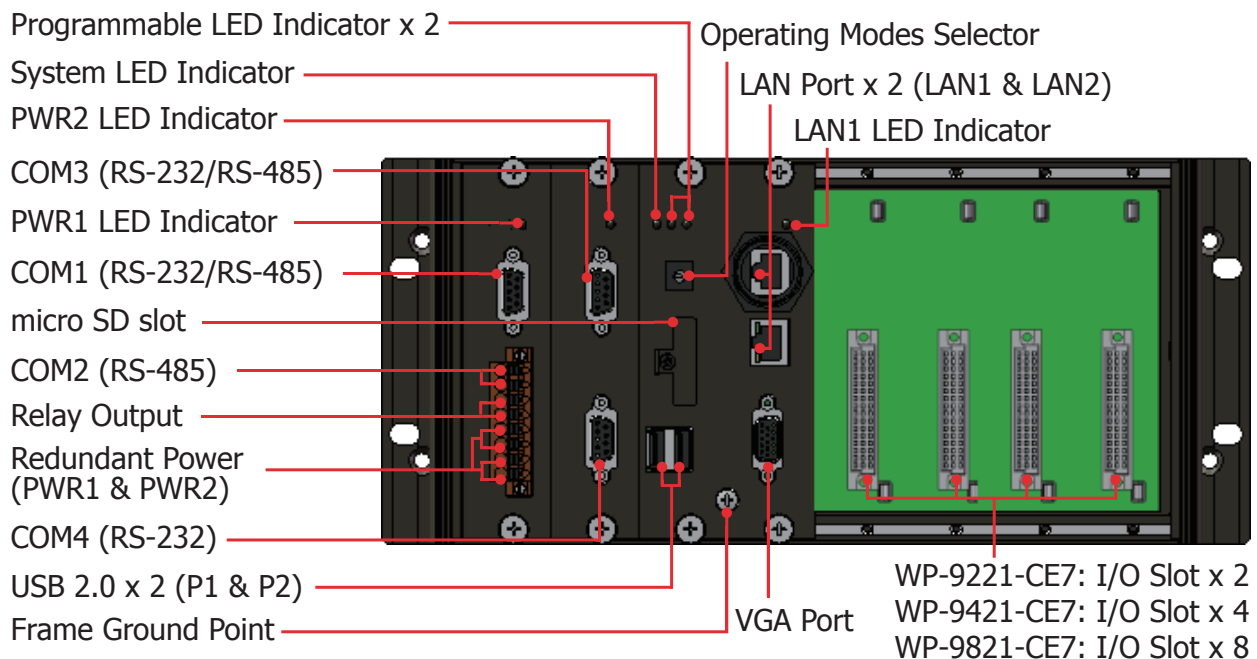


Introduction

The WP-9000-CE7 is the new generation Windows CE 7.0 based PAC (Programmable Automation Controller) of ICP DAS. Each WP-9000 is equipped with a Cortex-A8 (1.0 GHz) CPU running a Windows CE 7.0 operating system, a variant of input/output ports (VGA, USB, Ethernet, RS-232/485), and 2/4/8 expansion I/O slots that can be used to integrate high performance I-9K (parallel-type) and I-97K (serial-type) series I/O modules.

Its operating system, Windows CE 7.0, has many advantages, including hard real-time capability, small core size, fast boot speed, interrupt handling at a deeper level, achievable deterministic control and low cost. Using Windows CE 7.0 in the WP-9000-CE7 gives it the ability to run PC-based Control software such as Visual Basic.NET, Visual C#, Embedded Visual C++, SCADA software, Soft PLC ...etc.

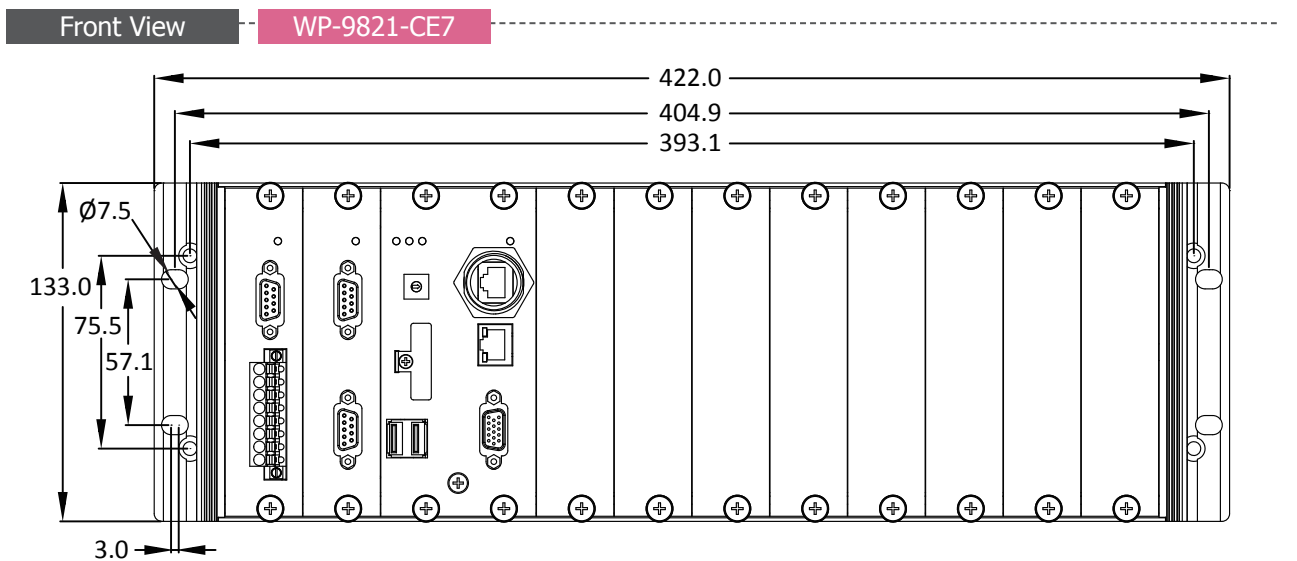
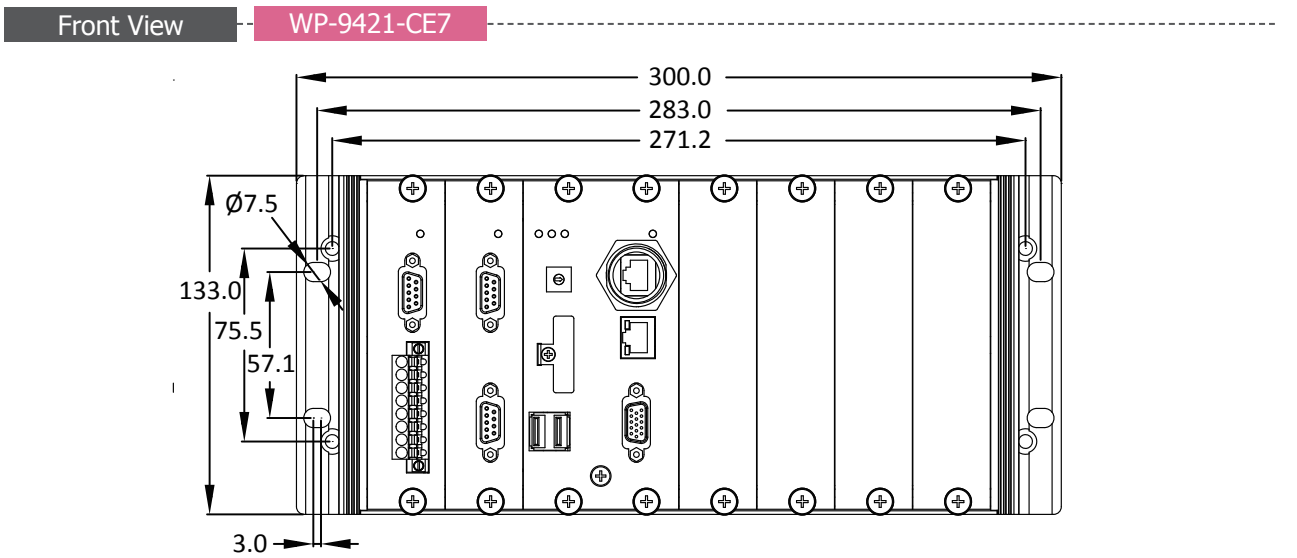
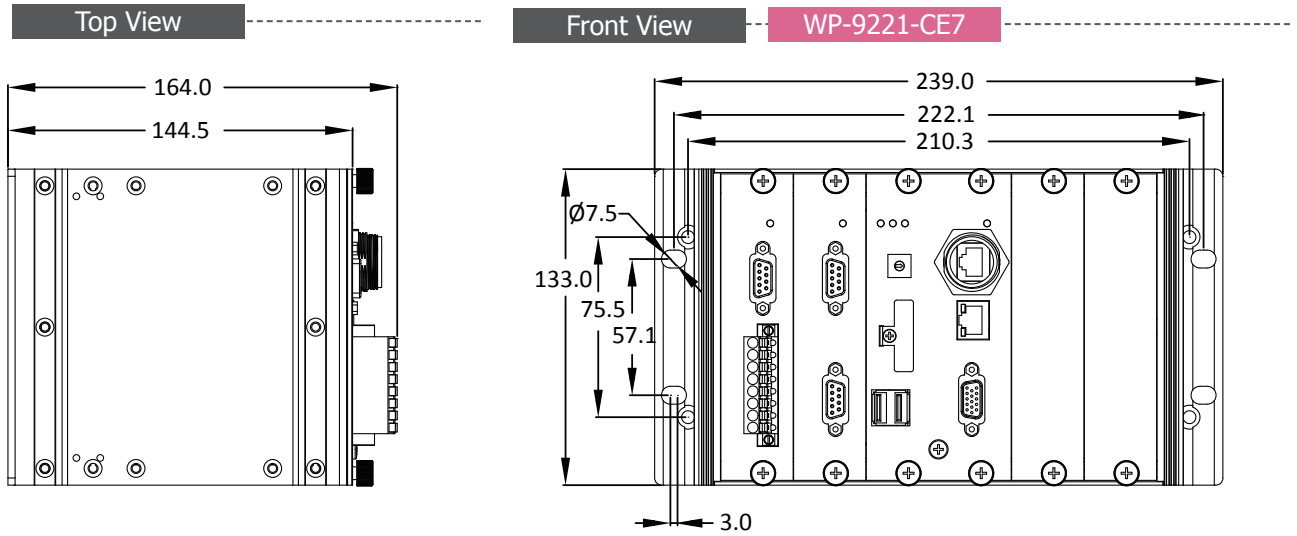
Appearance



Specifications

Models	WP-9221-CE7	WP-9421-CE7	WP-9821-CE7
System Software			
OS	Windows CE 7.0		
.Net Compact Framework	3.5		
Embedded Service	FTP server, Web server (supports VB script, JAVA script), Embedded SQL server		
SDK Provided	DII for VC, DII for Visual Studio.Net 2008		
Multilanguage Support	English, German, French, Spanish, Russian, Italian, Korean, Simplified Chinese, Traditional Chinese		
CPU Module			
CPU	Cortex-A8 (1.0 GHz)		
SDRAM	256 MB		
Flash	256 MB		
EEPROM	16 kB		
SD	microSD socket with one microSD card (support up to 32 GB)		
RTC (Real Time Clock)	Provide second, minute, hour, date, day of week, month, year		
64-bit Hardware Serial Number	Yes, for Software Copy Protection		
Dual Watchdog Timers	Yes		
Programmable LED Indicator	2 (L1, L2)		
Rotary Switch	Yes (0 ~ 9)		
VGA & Communication Ports			
VGA Resolution	800 x 600, 1024 x 768		
Ethernet	RJ-45 x 2, 10/100/1000 Base-TX		
USB 2.0	2		
COM0	Internal communication with the high profile I-97K series modules in slots		
COM1	RS-232/485 (RxD, TxD and GND for RS-232; Data+, Data- for RS-485); 3000 VDC isolated		
COM2	RS-485 (Data+, Data-); 3000 VDC isolated		
COM3	RS-232/485 (RxD, TxD and GND for RS-232; Data+, Data- for RS-485); 3000 VDC isolated		
COM4	RS-232 (RxD, TxD, CTS, RTS, DSR, DTR, CD, RI and GND); 3000 VDC isolated		
I/O Expansion Slots	2	4	8
Mechanical			
Dimensions (W x L x H, unit: mm)	239 x 133 x 164	300 x 133 x 164	422 x 133 x 164
Installation	Wall Mounting		
Environmental			
Operating Temperature	-25 ~ +75 °C		
Storage Temperature	-30 ~ +80 °C		
Ambient Relative Humidity	10 ~ 90% RH (non-condensing)		
Power			
Input Range	+10 ~ +30 VDC		
Isolation	1 kV		
Redundant Power Inputs	Yes, with one power relay (1 A @ 24 VDC) for alarm		

Dimensions



Ordering Information

WP-9221-CE7	Standard WinPAC-9000-CE7 with 2 I/O Slots
WP-9421-CE7	Standard WinPAC-9000-CE7 with 4 I/O Slots
WP-9821-CE7	Standard WinPAC-9000-CE7 with 8 I/O Slots